



GENLYTE SOLUTIONS

a Signify business

Let us light the way
for your project.
Quality lighting,
delivered fast.

5-10 day shipping offerings
2024 Edition

Day-Brite

Stonco

LIGHTOLIER

CHLORIDE

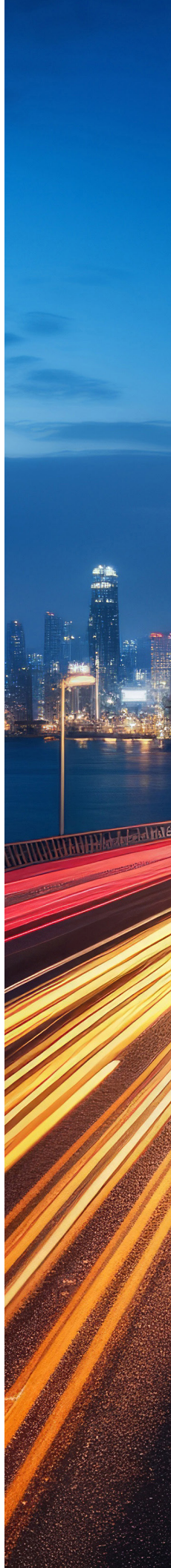
Tackle your lighting project quickly

Tight project timelines can't hold you back, get quality lighting delivered within 5-10 shipping days. Our solutions can light the way for your next project with the Design Ready portfolio.

The selected QuickShip, high performance LED lamps and award-winning luminaires from Genlyte Solutions brands include Lightolier, Day-Brite, Chloride, and Stonco offerings.

Illuminate your space with ease

Genlyte Solutions provides the lighting solution for every project whether it's lighting and connecting your public spaces, giving your space an energy-saving upgrade, or working on a yet to be constructed project, we've got you covered. Our Design Ready portfolio makes it easy for you to find highly configurable lighting with modern designs within your timeline and your budget.



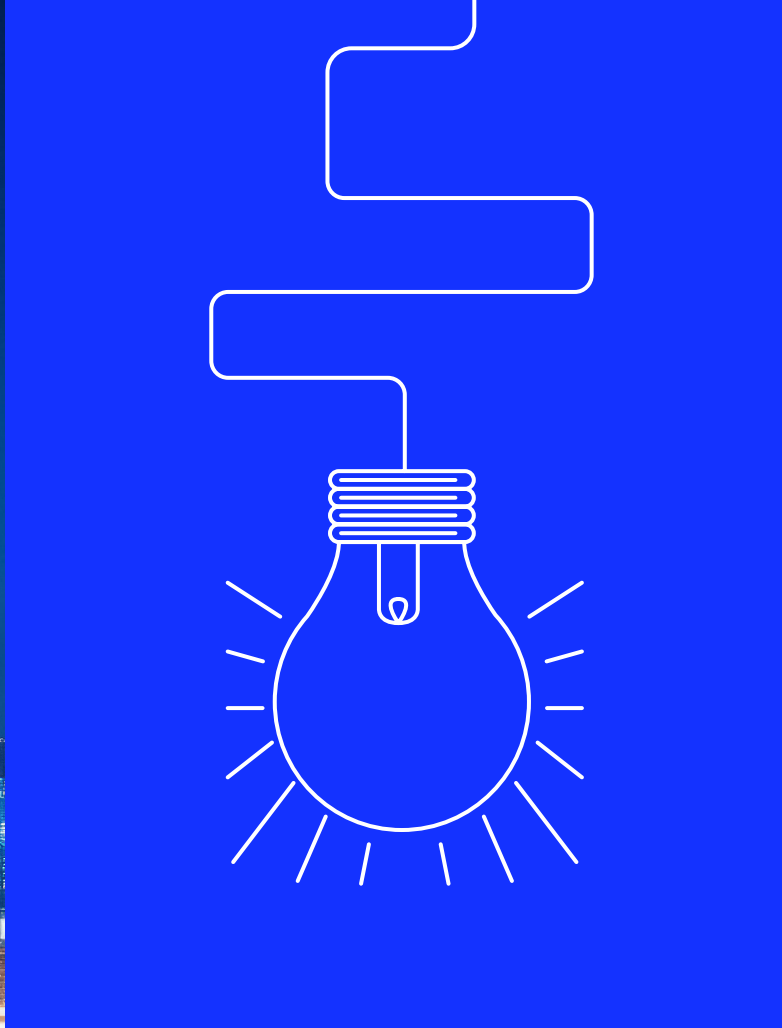


Table of contents

Lightolier LyteProfile	4
Lightolier EasyLyte.	6
Lightolier Commercial Retrofit	8
Day-Brite FluxPanel	10
Day-Brite FluxGrid	12
Day-Brite FCY.	15
Day-Brite FBY.	16
Day-Brite FBZ.	18
Day-Brite HCY	19
Day-Brite SDS Selectable Strip.	20
Day-Brite V3W Vaporlume.	21
Day-Brite FluxSpace Strip.	22
Day-Brite FluxStream Strip	24
Day-Brite VTS Sealed Strip	26
Chloride Value VLTC	28
Chloride Compac.	29
Stonco SlimFlood Dual Select	30

LyteProfile

LED upgrade with ease

LyteProfile's adaptable design with AccuRender 90+ CRI technology maximizes color quality and efficacy

LyteProfile Frame

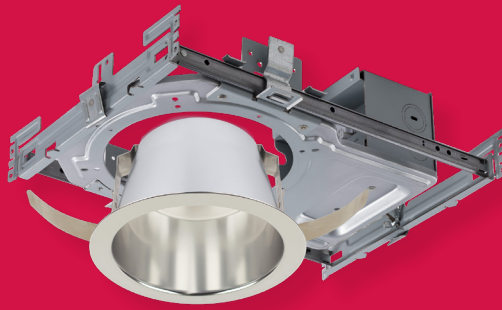
Example: 3RN

Ordering Code	Series	Aperture	Installation	Options
3RN	3	R Round	N New construction (non-IC)	
3RNLC	3	R Round	N New construction (non-IC)	LC Chicago Plenum
3RA	3	R Round	A AirSeal IC (1000lm max)	
3RAS	3	R Round	A AirSeal IC (1000lm max)	S Shallow Universal
3SN	3	S Square	N New construction (non-IC)	
3SNLC	3	S Square	N New construction (non-IC)	LC Chicago Plenum
3SA	3	S Square	A AirSeal IC (1000lm max)	
3SAS	3	S Square	A AirSeal IC (1000lm max)	S Shallow Universal
4RN	4	R Round	N New construction (non-IC)	
4RNLC	4	R Round	N New construction (non-IC)	LC Chicago Plenum
4RR	4	R Round	R Remodeler (non-IC)	
6RN	6	R Round	N New construction (non-IC)	
6RNLC	6	R Round	N New construction (non-IC)	LC Chicago Plenum
6RR	6	R Round	R Remodeler (non-IC)	

LyteProfile Engine/Trim

Example: P3RA10930NFCCE1

Ordering Code	Family	Style	Lumens	Color Temp.	Beam	Reflector	Flange	Dimming	Voltage	Plenum
P3RA10930NFCCE1	P3R	A Adjustable accent	10 1,000lm	930 3,000K (90CRI)	NF Narrow flood	CC Comfort clear	- White	E ELV	1 120V	
P3RA10930NFCCE1S	P3R	A Adjustable accent	10 1,000lm	930 3,000K (90CRI)	NF Narrow flood	CC Comfort clear	- White	E ELV	1 120V	S Shallow
P3RA10930NFCCE10U	P3R	A Adjustable accent	10 1,000lm	930 3,000K (90CRI)	NF Narrow flood	CC Comfort clear	- White	Z10 0-10V	U 120-277V	
P3RA10930NFCCE10US	P3R	A Adjustable accent	10 1,000lm	930 3,000K (90CRI)	NF Narrow flood	CC Comfort clear	- White	Z10 0-10V	U 120-277V	S Shallow
P3RA10935NFCCE1	P3R	A Adjustable accent	10 1,000lm	935 3,500K (90CRI)	NF Narrow flood	CC Comfort clear	- White	E ELV	1 120V	
P3RA10935NFCCE1S	P3R	A Adjustable accent	10 1,000lm	935 3,500K (90CRI)	NF Narrow flood	CC Comfort clear	- White	E ELV	1 120V	S Shallow
P3RA10935NFCCE10US	P3R	A Adjustable accent	10 1,000lm	935 3,500K (90CRI)	NF Narrow flood	CC Comfort clear	- White	Z10 0-10V	U 120-277V	S Shallow
P3RLW10930WCCE1	P3R	LW Lensed wall wash	10 1,000lm	930 3,000K (90CRI)	W Wide	CC Comfort clear	- White	E ELV	1 120V	
P3RLW10930WCCE1S	P3R	LW Lensed wall wash	10 1,000lm	930 3,000K (90CRI)	W Wide	CC Comfort clear	- White	E ELV	1 120V	S Shallow



LyteProfile Engine/Trim

Example: P3RA10930NFCCE1

Ordering Code	Family	Style	Lumens	Color Temp.	Beam	Reflector	Flange	Dimming	Voltage	Plenum
P3RLW10930WCCZ10U	P3R	LW Lensed wall wash	10 1,000lm	930 3,000K (90CRI)	W Wide	CC Comfort clear	- White	Z10 0-10V	U 120-277V	
P3RLW10935WCCE1	P3R	LW Lensed wall wash	10 1,000lm	935 3,500K (90CRI)	W Wide	CC Comfort clear	- White	E ELV	1 120V	
P3RLW10935WCCE1S	P3R	LW Lensed wall wash	10 1,000lm	935 3,500K (90CRI)	W Wide	CC Comfort clear	- White	E ELV	1 120V	S Shallow
P3RLW10935WCCZ10U	P3R	LW Lensed wall wash	10 1,000lm	935 3,500K (90CRI)	W Wide	CC Comfort clear	- White	Z10 0-10V	U 120-277V	
P3SLW10930WCCE1	P3S	LW Lensed wall wash	10 1,000lm	930 3,000K (90CRI)	W Wide	CC Comfort clear	- White	E ELV	1 120V	
P3SLW10930WCCE1S	P3S	LW Lensed wall wash	10 1,000lm	930 3,000K (90CRI)	W Wide	CC Comfort clear	- White	E ELV	1 120V	S Shallow
P3SLW10930WCCZ10U	P3S	LW Lensed wall wash	10 1,000lm	930 3,000K (90CRI)	W Wide	CC Comfort clear	- White	Z10 0-10V	U 120-277V	
P3SLW10935WCCE1	P3S	LW Lensed wall wash	10 1,000lm	935 3,500K (90CRI)	W Wide	CC Comfort clear	- White	E ELV	1 120V	
P3SLW10935WCCE1S	P3S	LW Lensed wall wash	10 1,000lm	935 3,500K (90CRI)	W Wide	CC Comfort clear	- White	E ELV	1 120V	S Shallow
P4RDL15935WCCZ10U	P4R	D Downlight	15 1,500lm	935 3,500K (90CRI)	W Wide	CC Comfort clear	- White	Z10 0-10V	U 120-277V	
P4SLW15935WWHZ10U	P4R	LW Lensed wall wash	15 1,500lm	935 3,500K (90CRI)	W Wide	W White	- White	Z10 0-10V	U 120-277V	
P4RDL20935WCCZ10U	P4R	D Downlight	20 2,000lm	935 3,500K (90CRI)	W Wide	CC Comfort clear	- White	Z10 0-10V	U 120-277V	
P6RDL15935WCCZ10U	P6R	D Downlight	15 1,500lm	935 3,500K (90CRI)	W Wide	CC Comfort clear	- White	Z10 0-10V	U 120-277V	
P6RDL20935WCCZ10U	P6R	D Downlight	20 2,000lm	935 3,500K (90CRI)	W Wide	CC Comfort clear	- White	Z10 0-10V	U 120-277V	
P6RLW20935WCCZ10U	P6R	LW Lensed wall wash	20 2,000lm	935 3,500K (90CRI)	W Wide	CC Comfort clear	- White	Z10 0-10V	U 120-277V	
P6RDL20940WCCZ10U	P6R	D Downlight	20 2,000lm	940 4,000K (90CRI)	W Wide	CC Comfort clear	- White	Z10 0-10V	U 120-277V	

EasyLyte

Ease and quality

Adaptable lighting that meets your budget, design, and installation needs

EasyLyte Frame

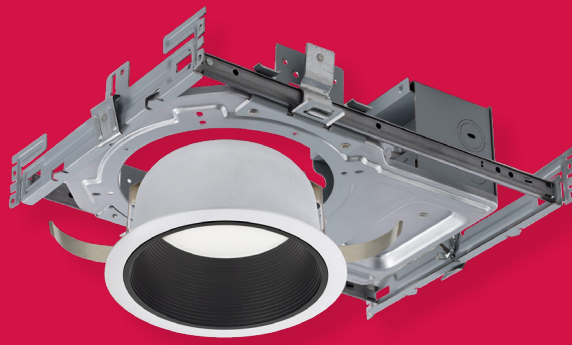
Example: 4RN

Ordering Code	Series	Aperture	Installation	Options
4RN	4	R Round	N New construction (non-IC)	
4RNLC	4	R Round	N New construction (non-IC)	LC Chicago Plenum
4RR	4	R Round	R Remodeler (non-IC)	
6RN	6	R Round	N New construction (non-IC)	
6RNLC	6	R Round	N New construction (non-IC)	LC Chicago Plenum
6RR	6	R Round	R Remodeler (non-IC)	

EasyLyte Engine/Trim

Example: Z4RDL10935WOCZ10U

Ordering Code	Family	Lumens	Color Temp.	Beam	Style	Reflector	Flange	Dimming	Voltage
Z4RDL10935WOCZ10U	Z4RDL	10 1,000lm	935 3,500K (90CRI)	W Wide	O Open	CD Clear diffuse	- White	Z10 0-10V	U 120-277V
Z4RDL10935WOWHZ10U	Z4RDL	10 1,000lm	935 3,500K (90CRI)	W Wide	O Open	W White	- White	Z10 0-10V	U 120-277V
Z4RDL15935WOCZ10U	Z4RDL	15 1,500lm	935 3,500K (90CRI)	W Wide	O Open	CD Clear diffuse	- White	Z10 0-10V	U 120-277V
Z4RDL15935WOWHZ10U	Z4RDL	15 1,500lm	935 3,500K (90CRI)	W Wide	O Open	W White	- White	Z10 0-10V	U 120-277V
Z4RDL15940WOWHZ10U	Z4RDL	15 1,500lm	940 4,000K (90CRI)	W Wide	O Open	W White	- White	Z10 0-10V	U 120-277V
Z4RDL20935WOCZ10U	Z4RDL	20 2,000lm	935 3,500K (90CRI)	W Wide	O Open	CD Clear diffuse	- White	Z10 0-10V	U 120-277V
Z4RDL20935WOWHZ10U	Z4RDL	20 2,000lm	935 3,500K (90CRI)	W Wide	O Open	W White	- White	Z10 0-10V	U 120-277V
Z4RDL25935WSCZ10U	Z4RDL	25 2,500lm	935 3,500K (90CRI)	W Wide	S Step baffle	CD Clear diffuse	- White	Z10 0-10V	U 120-277V
Z6RDL10935WOCZ10U	Z6RDL	10 1,000lm	935 3,500K (90CRI)	W Wide	O Open	CD Clear diffuse	- White	Z10 0-10V	U 120-277V
Z6RDL10935WOWHZ10U	Z6RDL	10 1,000lm	935 3,500K (90CRI)	W Wide	O Open	W White	- White	Z10 0-10V	U 120-277V
Z6RDL15927WOCZ10U	Z6RDL	15 1,500lm	927 2,700K (90CRI)	W Wide	O Open	CD Clear diffuse	- White	Z10 0-10V	U 120-277V
Z6RDL15935WOCZ10U	Z6RDL	15 1,500lm	935 3,500K (90CRI)	W Wide	O Open	CD Clear diffuse	- White	Z10 0-10V	U 120-277V
Z6RDL15935WOWHZ10U	Z6RDL	15 1,500lm	935 3,500K (90CRI)	W Wide	O Open	W White	- White	Z10 0-10V	U 120-277V
Z6RDL15935WSWHZ10U	Z6RDL	15 1,500lm	935 3,500K (90CRI)	W Wide	S Step baffle	W White	- White	Z10 0-10V	U 120-277V
Z6RDL15940WOCZ10U	Z6RDL	15 1,500lm	840 4,000K (80CRI)	W Wide	O Open	CD Clear diffuse	- White	Z10 0-10V	U 120-277V
Z6RDL15940WOWHZ10U	Z6RDL	15 1,500lm	840 4,000K (80CRI)	W Wide	O Open	W White	- White	Z10 0-10V	U 120-277V
Z6RDL15940WSCZ10U	Z6RDL	15 1,500lm	840 4,000K (80CRI)	W Wide	S Step baffle	CD Clear diffuse	- White	Z10 0-10V	U 120-277V
Z6RDL20927WOCZ10U	Z6RDL	20 2,000lm	927 2,700K (90CRI)	W Wide	O Open	CD Clear diffuse	- White	Z10 0-10V	U 120-277V
Z6RDL20930WOWHZ10U	Z6RDL	20 2,000lm	830 3,000K (80CRI)	W Wide	O Open	W White	- White	Z10 0-10V	U 120-277V
Z6RDL20935WOCZ10U	Z6RDL	20 2,000lm	835 3,500K (80CRI)	W Wide	O Open	CD Clear diffuse	- White	Z10 0-10V	U 120-277V
Z6RDL20935WOWHZ10U	Z6RDL	20 2,000lm	835 3,500K (80CRI)	W Wide	O Open	W White	- White	Z10 0-10V	U 120-277V
Z6RDL20935WSCZ10U	Z6RDL	20 2,000lm	835 3,500K (80CRI)	W Wide	S Step baffle	CD Clear diffuse	- White	Z10 0-10V	U 120-277V
Z6RDL20935WSWHZ10U	Z6RDL	20 2,000lm	835 3,500K (80CRI)	W Wide	S Step baffle	W White	- White	Z10 0-10V	U 120-277V



EasyLyte Engine/Trim

Example: Z4RDL10935W OCDZ10U

Ordering Code	Family	Lumens	Color Temp.	Beam	Style	Reflector	Flange	Dimming	Voltage
Z6RDL20940WOWHZ10U	Z6RDL	20 2,000lm	840 4,000K (80CRI)	W Wide	O Open	W White	- White	Z10 0-10V	U 120-277V
Z6RDL25927W OCDZ10U	Z6RDL	25 2,500lm	927 2,700K (90CRI)	W Wide	O Open	CD Clear diffuse	- White	Z10 0-10V	U 120-277V
Z6RDL25935WOWHZ10U	Z6RDL	25 2,500lm	835 3,500K (80CRI)	W Wide	O Open	W White	- White	Z10 0-10V	U 120-277V
Z6RDL25940W OCDZ10U	Z6RDL	25 2,500lm	840 4,000K (80CRI)	W Wide	S Step baffle	CD Clear diffuse	- White	Z10 0-10V	U 120-277V
Z6RDL30930W OCDZ10U	Z6RDL	30 3,000lm	830 3,000K (80CRI)	W Wide	O Open	CD Clear diffuse	- White	Z10 0-10V	U 120-277V
Z6RDL30935WOWHZ10U	Z6RDL	30 3,000lm	835 3,500K (80CRI)	W Wide	O Open	W White	- White	Z10 0-10V	U 120-277V
Z6RDL30940W OCDZ10U	Z6RDL	30 3,000lm	840 4,000K (80CRI)	W Wide	O Open	CD Clear diffuse	- White	Z10 0-10V	U 120-277V
Z6RDL35930W OCDZ10U	Z6RDL	35 3,500lm	830 3,000K (80CRI)	W Wide	O Open	CD Clear diffuse	- White	Z10 0-10V	U 120-277V
Z6RDL35935W OCDZ10U	Z6RDL	35 3,500lm	835 3,500K (80CRI)	W Wide	O Open	CD Clear diffuse	- White	Z10 0-10V	U 120-277V
Z6RDL35935WOWHZ10U	Z6RDL	35 3,500lm	835 3,500K (80CRI)	W Wide	O Open	W White	- White	Z10 0-10V	U 120-277V
Z6RDL35940W OCDZ10U	Z6RDL	35 3,500lm	840 4,000K (80CRI)	W Wide	O Open	CD Clear diffuse	- White	Z10 0-10V	U 120-277V

Commercial Retrofit



Bright, brighter, **brightest**

Will reduce on-site time and headaches for busy installers with its adjustable lumen and color output switch.

Commercial Retrofit

Example: **CR4RLMCCT**

Ordering Code	Family	Size/Lumens	Color Temperature	Voltage	Finish
CR4RLMCCT	CR	4LRM 4" Round 500-1000lm, 90CRI	CCT 3000K/3500K/4000K (80CRI)	- 120-347V	- White
CR6RLMCCT	CR	6LRM 6" Round 700-1500lm, 90CRI	CCT 3000K/3500K/4000K (80CRI)	- 120-347V	- White
CR8RLMCCT	CR	8LRM 8" Round 1000-2000lm, 90CRI	CCT 3000K/3500K/4000K (80CRI)	- 120-347V	- White
CR10RLMCCT	CR	10LRM 10" Round 2000-3000lm, 90CRI	CCT 3000K/3500K/4000K (80CRI)	- 120-347V	- White





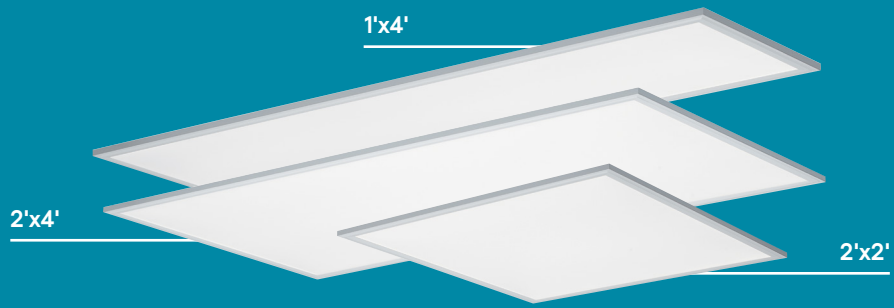
FluxPanel

Uniform surface of light provides low glare, flicker free lighting at an affordable price.

FluxPanel

Example: 1FPZ38B835-4-DS-UNV-DIM

Ordering Code	Width	Lumens	Color Temp.	Length	Diffuser	Voltage	Driver	Options
1FPZ38B835-4-DS-UNV-DIM	1 1'	38B 3,800lm	835 3,500K (80CRI)	4 4'	DS Diffuse smooth	UNV 120-277V	DIM 0-10V	
1FPZ38B840-4-DS-UNV-DIM	1 1'	38B 3,800lm	840 4,000K (80CRI)	4 4'	DS Diffuse smooth	UNV 120-277V	DIM 0-10V	
2FPZ20L835-2-DS-UNV DIM	2 2'	20L 2,000lm	835 3,500K (80CRI)	2 2'	DS Diffuse smooth	UNV 120-277V	DIM 0-10V	
2FPZ20L840-2-DS-UNV DIM	2 2'	20L 2,000lm	840 4,000K (80CRI)	2 2'	DS Diffuse smooth	UNV 120-277V	DIM 0-10V	
2FPZ20L850-2-DS-UNV DIM	2 2'	20L 2,000lm	850 5,000K (80CRI)	2 2'	DS Diffuse smooth	UNV 120-277V	DIM 0-10V	
2FPZ30L835-2-DS-UNV DIM	2 2'	30L 3,000lm	835 3,500K (80CRI)	2 2'	DS Diffuse smooth	UNV 120-277V	DIM 0-10V	
2FPZ30L840-2-DS-UNV DIM	2 2'	30L 3,000lm	840 4,000K (80CRI)	2 2'	DS Diffuse smooth	UNV 120-277V	DIM 0-10V	
2FPZ38B835-2-DS-UNV-DIM	2 2'	38B 3,800lm	835 3,500K (80CRI)	2 2'	DS Diffuse smooth	UNV 120-277V	DIM 0-10V	
2FPZ38B840-2-DS-UNV-DIM	2 2'	38B 3,800lm	840 4,000K (80CRI)	2 2'	DS Diffuse smooth	UNV 120-277V	DIM 0-10V	
2FPZ38B850-2-DS-UNV-DIM	2 2'	38B 3,800lm	850 5,000K (80CRI)	2 2'	DS Diffuse smooth	UNV 120-277V	DIM 0-10V	
2FPZ42B850-2-DS-UNV-DIM	2 2'	42L 4,200lm	850 5,000K (80CRI)	2 2'	DS Diffuse smooth	UNV 120-277V	DIM 0-10V	
2FPZ30L835-4-DS-UNV DIM	4 4'	30L 3,000lm	835 3,500K (80CRI)	4 4'	DS Diffuse smooth	UNV 120-277V	DIM 0-10V	
2FPZ30L840-4-DS-UNV DIM	4 4'	30L 3,000lm	840 4,000K (80CRI)	4 4'	DS Diffuse smooth	UNV 120-277V	DIM 0-10V	
2FPZ30L850-4-DS-UNV DIM	4 4'	30L 3,000lm	850 5,000K (80CRI)	4 4'	DS Diffuse smooth	UNV 120-277V	DIM 0-10V	
2FPZ38L835-4-DS-UNV DIM	4 4'	38L 3,800lm	835 3,500K (80CRI)	4 4'	DS Diffuse smooth	UNV 120-277V	DIM 0-10V	
2FPZ38L840-4-DS-UNV DIM	4 4'	38L 3,800lm	840 4,000K (80CRI)	4 4'	DS Diffuse smooth	UNV 120-277V	DIM 0-10V	
2FPZ42B835-4-DS-UNV-DIM	4 4'	42B 4,200lm	835 3,500K (80CRI)	4 4'	DS Diffuse smooth	UNV 120-277V	DIM 0-10V	



FluxPanel

Example: 1FPZ38B835-4-DS-UNV-DIM

Ordering Code	Width	Lumens	Color Temp.	Length	Diffuser	Voltage	Driver	Options
2FPZ42B840-4-DS-UNV-DIM	4 4'	42B 4,200lm	840 4,000K (80CRI)	4 4'	DS Diffuse smooth	UNV 120-277V	DIM 0-10V	
2FPZ43L835-4-DS-UNV-DIM	4 4'	43L 4,300lm	835 3,500K (80CRI)	4 4'	DS Diffuse smooth	UNV 120-277V	DIM 0-10V	
2FPZ43L835-4-DS-UNV-DIM-BSL10LST	4 4'	43L 4,300lm	835 3,500K (80CRI)	4 4'	DS Diffuse smooth	UNV 120-277V	DIM 0-10V	BSL10LST Factory wired Bodine integral emergency pack

Accessories

FSF22	2'x2' surface mount field installation kit (field assembled)
FSF24	2'x4' surface mount field installation kit (field assembled)

FluxGrid

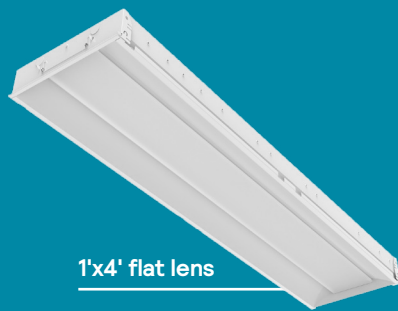
A product family configurable to fit your exact needs

Ideal for commercial, educational, and hospitality applications

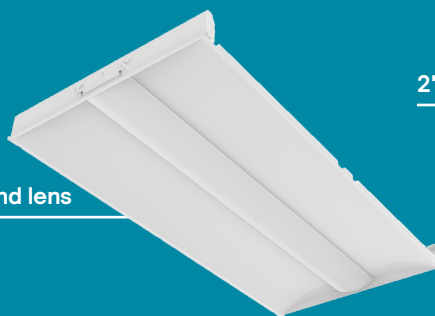
FluxGrid

Example: 1FGXG42B835-4-FS-UNV-DIM

Ordering Code	Width	Ceiling Type	Air Function	Lumens	Color Temp.	Length	Diffuser	Voltage	Driver	Options
1FGXG42B835-4-FS-UNV-DIM	1 1'	G Grid		42B 4,200lm	835 3,500K (80CRI)	4 4'	FS Diffuse flat smooth	UNV 120-277V	DIM 0-10V	
1FGXG42B835-4-FS-UNV-DIM-CHIC	1 1'	G Grid		42B 4,200lm	835 3,500K (80CRI)	4 4'	FS Diffuse flat smooth	UNV 120-277V	DIM 0-10V	CHIC Chicago Plenum rated
1FGXG42B835-4-RS-UNV-DIM	1 1'	G Grid		42B 4,200lm	835 3,500K (80CRI)	4 4'	RS Diffuse round smooth	UNV 120-277V	DIM 0-10V	
1FGXG42B835-4-RS-UNV-DIM-CHIC	1 1'	G Grid		42B 4,200lm	835 3,500K (80CRI)	4 4'	RS Diffuse round smooth	UNV 120-277V	DIM 0-10V	CHIC Chicago Plenum rated
1FGXG42B840-4-FS-UNV-DIM	1 1'	G Grid		42B 4,200lm	840 4,000K (80CRI)	4 4'	FS Diffuse flat smooth	UNV 120-277V	DIM 0-10V	
1FGXG42B840-4-RS-UNV-DIM	1 1'	G Grid		42B 4,200lm	840 4,000K (80CRI)	4 4'	RS Diffuse round smooth	UNV 120-277V	DIM 0-10V	
2FGXG20L835-2-RS-UNV-DIM-SWZCS	2 2'	G Grid		20L 2,000lm	835 3,500K (80CRI)	2 2'	RS Diffuse round smooth	UNV 120-277V	DIM 0-10V	SWZCS Interact Pro scalable sensor w/ integral daylight & occupancy sensing
2FGXG20L840-2-RS-UNV-DIM-SWZCS	2 2'	G Grid		20L 2,000lm	840 4,000K (80CRI)	2 2'	RS Diffuse round smooth	UNV 120-277V	DIM 0-10V	SWZCS Interact Pro scalable sensor w/ integral daylight & occupancy sensing
2FGXG30L835-2-FS-UNV-DIM-SWZCS	2 2'	G Grid		30L 3,000lm	835 3,500K (80CRI)	2 2'	FS Diffuse flat smooth	UNV 120-277V	DIM 0-10V	SWZCS Interact Pro scalable sensor w/ integral daylight & occupancy sensing
2FGXG30L835-2-RS-UNV-DIM	2 2'	G Grid		30L 3,000lm	835 3,500K (80CRI)	2 2'	RS Diffuse round smooth	UNV 120-277V	DIM 0-10V	
2FGXG30L835-2-RS-UNV-DIM-SWZCS	2 2'	G Grid		30L 3,000lm	835 3,500K (80CRI)	2 2'	RS Diffuse round smooth	UNV 120-277V	DIM 0-10V	SWZCS Interact Pro scalable sensor w/ integral daylight & occupancy sensing
2FGXG30L840-2-FS-UNV-DIM-SWZCS	2 2'	G Grid		30L 3,000lm	840 4,000K (80CRI)	2 2'	FS Diffuse flat smooth	UNV 120-277V	DIM 0-10V	SWZCS Interact Pro scalable sensor w/ integral daylight & occupancy sensing
2FGXG30L840-2-RS-UNV-DIM	2 2'	G Grid		30L 3,000lm	840 4,000K (80CRI)	2 2'	RS Diffuse round smooth	UNV 120-277V	DIM 0-10V	



1'x4' flat lens



2'x4' round lens



2'x2' flat lens

FluxGrid

Example: 1FGXG42B835-4-FS-UNV-DIM

Ordering Code	Width	Ceiling Type	Air Function	Lumens	Color Temp.	Length	Diffuser	Voltage	Driver	Options
2FGXG30L840-2-RS-UNV-DIM-SWZCS	2 2'	G Grid		30L 3,000lm	840 4,000K (80CRI)	2 2'	RS Diffuse round smooth	UNV 120-277V	DIM 0-10V	SWZCS Interact Pro scalable sensor w/ integral daylight & occupancy sensing
2FGXG38B835-2-RS-UNV-DIM	2 2'	G Grid		38B 3,800lm	835 3,500K (80CRI)	2 2'	RS Diffuse round smooth	UNV 120-277V	DIM 0-10V	
2FGXG38B835-2-RS-UNV-DIM-CHIC	2 2'	G Grid		38B 3,800lm	835 3,500K (80CRI)	2 2'	RS Diffuse round smooth	UNV 120-277V	DIM 0-10V	CHIC Chicago Plenum rated
2FGXGH38B835-2-RS-UNV-DIM-CHIC	2 2'	G Grid	H Air return	38B 3,800lm	835 3,500K (80CRI)	2 2'	RS Diffuse round smooth	UNV 120-277V	DIM 0-10V	CHIC Chicago Plenum rated
2FGXG38B840-2-RS-UNV-DIM	2 2'	G Grid		38B 3,800lm	840 4,000K (80CRI)	2 2'	RS Diffuse round smooth	UNV 120-277V	DIM 0-10V	
2FGXG38L835-2-RS-UNV-DIM	2 2'	G Grid		38L 3,800lm	835 3,500K (80CRI)	2 2'	RS Diffuse round smooth	UNV 120-277V	DIM 0-10V	
2FGXG38L840-2-RS-UNV-DIM	2 2'	G Grid		38L 3,800lm	840 4,000K (80CRI)	2 2'	RS Diffuse round smooth	UNV 120-277V	DIM 0-10V	
2FGXG45L835-2-RS-UNV-DIM	2 2'	G Grid		45L 4,500lm	835 3,500K (80CRI)	2 2'	RS Diffuse round smooth	UNV 120-277V	DIM 0-10V	
2FGXG38L835-4-RS-UNV-DIM	2 2'	G Grid		38L 3,800lm	835 3,500K (80CRI)	4 4'	RS Diffuse round smooth	UNV 120-277V	DIM 0-10V	
2FGXG38L835-4-RS-UNV-DIM-SWZCS	2 2'	G Grid		38L 3,800lm	835 3,500K (80CRI)	4 4'	RS Diffuse round smooth	UNV 120-277V	DIM 0-10V	SWZCS Interact Pro scalable sensor w/ integral daylight & occupancy sensing
2FGXG38L840-4-RS-UNV-DIM	2 2'	G Grid		38L 3,800lm	840 4,000K (80CRI)	4 4'	RS Diffuse round smooth	UNV 120-277V	DIM 0-10V	
2FGXG38L840-4-RS-UNV-DIM-SWZCS	2 2'	G Grid		42B 4,200lm	840 4,000K (80CRI)	4 4'	RS Diffuse round smooth	UNV 120-277V	DIM 0-10V	SWZCS Interact Pro scalable sensor w/ integral daylight & occupancy sensing
2FGXG42B835-4-FS-UNV-DIM	2 2'	G Grid		42B 4,200lm	835 3,500K (80CRI)	4 4'	FS Diffuse flat smooth	UNV 120-277V	DIM 0-10V	
2FGXG42B835-4-RS-UNV-DIM	2 2'	G Grid		42B 4,200lm	835 3,500K (80CRI)	4 4'	RS Diffuse round smooth	UNV 120-277V	DIM 0-10V	
2FGXG42B835-4-RS-UNV-DIM-CHIC	2 2'	G Grid		42B 4,200lm	835 3,500K (80CRI)	4 4'	RS Diffuse round smooth	UNV 120-277V	DIM 0-10V	CHIC Chicago Plenum rated

FluxGrid (continued)

A product family configurable to fit your exact needs

Ideal for commercial, educational, and hospitality applications

FluxGrid

Example: 1FGXG42B835-4-FS-UNV-DIM

Ordering Code	Width	Ceiling Type	Air Function	Lumens	Color Temp.	Length	Diffuser	Voltage	Driver	Options
2FGXGH42B835-4-RS-UNV-DIM-CHIC	2 2'	G Grid	H Air return	42B 4,200lm	835 3,500K (80CRI)	4 4'	RS Diffuse round smooth	UNV 120-277V	DIM 0-10V	CHIC Chicago Plenum rated
2FGXG42B840-4-FS-UNV-DIM	2 2'	G Grid		42B 4,200lm	840 4,000K (80CRI)	4 4'	FS Diffuse flat smooth	UNV 120-277V	DIM 0-10V	
2FGXG42B840-4-RS-UNV-DIM	2 2'	G Grid		43L 4,300lm	840 4,000K (80CRI)	4 4'	RS Diffuse round smooth	UNV 120-277V	DIM 0-10V	
2FGXG43L835-4-RS-UNV-DIM	2 2'	G Grid		43L 4,300lm	835 3,500K (80CRI)	4 4'	RS Diffuse round smooth	UNV 120-277V	DIM 0-10V	
2FGXG43L835-4-RS-UNV-DIM-SWZCS	2 2'	G Grid		43L 4,300lm	835 3,500K (80CRI)	4 4'	RS Diffuse round smooth	UNV 120-277V	DIM 0-10V	SWZCS Interact Pro scalable sensor w/ integral daylight & occupancy sensing
2FGXG43L840-4-RS-UNV-DIM	2 2'	G Grid		43L 4,300lm	840 4,000K (80CRI)	4 4'	RS Diffuse round smooth	UNV 120-277V	DIM 0-10V	
2FGXG43L840-4-RS-UNV-DIM-SWZCS	2 2'	G Grid		48L 4,800lm	840 4,000K (80CRI)	4 4'	RS Diffuse round smooth	UNV 120-277V	DIM 0-10V	SWZCS Interact Pro scalable sensor w/ integral daylight & occupancy sensing
2FGXG48L835-4-RS-UNV-DIM	2 2'	G Grid		48L 4,800lm	835 3,500K (80CRI)	4 4'	RS Diffuse round smooth	UNV 120-277V	DIM 0-10V	
2FGXG48L835-4-RS-UNV-DIM-SWZCS	2 2'	G Grid		48L 4,800lm	835 3,500K (80CRI)	4 4'	RS Diffuse round smooth	UNV 120-277V	DIM 0-10V	SWZCS Interact Pro scalable sensor w/ integral daylight & occupancy sensing
2FGXG48L840-4-RS-UNV-DIM	2 2'	G Grid		48L 4,800lm	840 4,000K (80CRI)	4 4'	RS Diffuse round smooth	UNV 120-277V	DIM 0-10V	
2FGXG48L840-4-RS-UNV-DIM-SWZCS	2 2'	G Grid		48L 4,800lm	840 4,000K (80CRI)	4 4'	RS Diffuse round smooth	UNV 120-277V	DIM 0-10V	SWZCS Interact Pro scalable sensor w/ integral daylight & occupancy sensing
2FGXG54L835-4-RS-UNV-DIM	2 2'	G Grid		54L 5,400lm	835 3,500K (80CRI)	4 4'	RS Diffuse round smooth	UNV 120-277V	DIM 0-10V	BSL10LST Factory wired Bodine integral emergency pack

Accessories

FSF22	2'x2' surface mount field installation kit (field assembled)
FSF24	2'x4' surface mount field installation kit (field assembled)

Day-Brite



FCY High Bay

Simple, easy, convenient

A value high bay with low profile and durable design, ideal for your mid to high ceiling applications



FCY High Bay

Example: FCY0815L8CST-UNV-DIM

Ordering Code	Lumens	Color Temperature	Voltage	Driver
FCY0815L8CST-UNV-DIM	0815L 8,000/12,000/15,000lm	8CST 4,000K/5,000K (80CRI)	UNV 120-277V	DIM 0-10V
FCY1524L8CST-UNV-DIM	1524L 15,000/18,000/24,000lm	8CST 4,000K/5,000K (80CRI)	UNV 120-277V	DIM 0-10V
FCY2436L8CST-UNV-DIM	2436L 24,000/30,000/36,000lm	8CST 4,000K/5,000K (80CRI)	UNV 120-277V	DIM 0-10V

Accessories	
FCY-PENHGR24	Pendant hanger accessory for FCY0815L and FCY1524L
FCY-PENHGR36	Pendant hanger accessory for FCY2436L
FCY-SBK24	Surface bracket accessory for FCY0815L and FCY1524L
FCY-SBK36	Surface bracket accessory for FCY2436L
FCY-WG15	Wire guard for FCY0815L
FCY-WG24	Wire guard for FCY1524L
FCY-WG36	Wire guard for FCY2436L
FCY-SENSOR	Field installed microwave sensor
FCY-REMOTE	Remote hand-held programmer for FCY-SENSOR

FBY High Bay

Versatility in form and function

Reliable and cost-friendly solution for your big industrial or institutional spaces

FBY High Bay

Example: FBY12L850-UNV-LFA-SWZCSH

Ordering Code	Lumens	Color Temperature	Voltage	Options
FBY12L835-UNV	12L 12,000lm	835 3,500K (80CRI)	UNV 120-277V	
FBY12L835-UNV-BSL10LST	12L 12,000lm	835 3,500K (80CRI)	UNV 120-277V	BSL10LST Factory wired 10W Philips Bodine integral emergency pack
FBY12L840-UNV	12L 12,000lm	840 4,000K (80CRI)	UNV 120-277V	
FBY12L840-UNV-LFA	12L 12,000lm	840 4,000K (80CRI)	UNV 120-277V	LFA Frosted acrylic lens
FBY12L850-UNV	12L 12,000lm	850 5,000K (80CRI)	UNV 120-277V	
FBY12L850-UNV-LFA	12L 12,000lm	850 5,000K (80CRI)	UNV 120-277V	LFA Frosted acrylic lens
FBY12L850-UNV-LFA-SWZCSH	12L 12,000lm	850 5,000K (80CRI)	UNV 120-277V	LFA Frosted acrylic lens SWZCSH Interact Pro scalable high bay sensor w/integral daylight & occupancy sensing
FBY18L840-UNV	18L 18,000lm	840 4,000K (80CRI)	UNV 120-277V	
FBY18L840-UNV-WC6	18L 18,000lm	840 4,000K (80CRI)	UNV 120-277V	WC6 Wired 6' 16/3 cord
FBY18L840-UNV-LFA	18L 18,000lm	840 4,000K (80CRI)	UNV 120-277V	LFA Frosted acrylic lens
FBY18L840-UNV-MD360	18L 18,000lm	840 4,000K (80CRI)	UNV 120-277V	MD360 360° Motion detector (ON/OFF)
FBY18L840-UNV-BSL10LST	18L 18,000lm	840 4,000K (80CRI)	UNV 120-277V	BSL10LST Factory wired 10W Philips Bodine integral emergency pack
FBY18L850-UNV	18L 18,000lm	850 5,000K (80CRI)	UNV 120-277V	
FBY18L850-UNV-LFA-SWZCSH	18L 18,000lm	850 5,000K (80CRI)	UNV 120-277V	LFA Frosted acrylic lens SWZCSH Interact Pro scalable high bay sensor w/integral daylight & occupancy sensing
FBY24L835-UNV-WC6/5	24L 24,000lm	835 3,500K (80CRI)	UNV 120-277V	WC6/5 Wired 6' 18/5 cord for line voltage plus 0-10V dimming
FBY24L840-277-WP6	24L 24,000lm	840 4,000K (80CRI)	277 277V	WP6 Wired 6' 16/3 cord & NEMA twist lock plug
FBY24L840-277-WP6-MD360	24L 24,000lm	840 4,000K (80CRI)	277 277V	WP6 Wired 6' 16/3 cord & NEMA twist lock plug MD360 360° Motion detector (ON/OFF)
FBY24L840-UNV	24L 24,000lm	840 4,000K (80CRI)	UNV 120-277V	
FBY24L840-UNV-WC6	24L 24,000lm	840 4,000K (80CRI)	UNV 120-277V	WC6 Wired 6' 16/3 cord
FBY24L840-UNV-WC6-MD360	24L 24,000lm	840 4,000K (80CRI)	UNV 120-277V	WC6 Wired 6' 16/3 cord MD360 360° Motion detector (ON/OFF)
FBY24L840-UNV-LFA	24L 24,000lm	840 4,000K (80CRI)	UNV 120-277V	LFA Frosted acrylic lens
FBY24L840-UNV-MD360	24L 24,000lm	840 4,000K (80CRI)	UNV 120-277V	MD360 360° Motion detector (ON/OFF)
FBY24L840-UNV-BSL10LST	24L 24,000lm	840 4,000K (80CRI)	UNV 120-277V	BSL10LST Factory wired 10W Philips Bodine integral emergency pack
FBY24L850-UNV	24L 24,000lm	850 5,000K (80CRI)	UNV 120-277V	
FBY24L850-UNV-WC6	24L 24,000lm	850 5,000K (80CRI)	UNV 120-277V	WC6 Wired 6' 16/3 cord

Clear lens



No lens



Frosted lens



FBY High Bay

Example: FBY12L850-UNV-LFA-SWZCSH

Ordering Code	Lumens	Color Temperature	Voltage	Options
FBY24L850-UNV-LFA	24L 24,000lm	850 5,000K (80CRI)	UNV 120-277V	LFA Frosted acrylic lens
FBY30L840-277-WP6/4-MD360-BSL10LST	30L 30,000lm	840 4,000K (80CRI)	277 277V	WP6/4 Wired 6' 16/4 cord and NEMA twist lock plug for line voltage plus unswitched hot for EMERGENCY MD360 360° Motion detector (ON/OFF) BSL10LST Factory wired 10W Philips Bodine integral emergency pack
FBY30L840-UNV	30L 30,000lm	840 4,000K (80CRI)	UNV 120-277V	
FBY30L840-UNV-WC6	30L 30,000lm	840 4,000K (80CRI)	UNV 120-277V	WC6 Wired 6' 16/3 cord
FBY30L840-UNV-WC6-LFA	30L 30,000lm	840 4,000K (80CRI)	UNV 120-277V	WC6 Wired 6' 16/3 cord LFA Frosted acrylic lens
FBY30L840-UNV-WC6-MD360	30L 30,000lm	840 4,000K (80CRI)	UNV 120-277V	WC6 Wired 6' 16/3 cord MD360 360° Motion detector (ON/OFF)
FBY30L840-UNV-LFA	30L 30,000lm	840 4,000K (80CRI)	UNV 120-277V	LFA Frosted acrylic lens
FBY30L840-UNV-MD360	30L 30,000lm	840 4,000K (80CRI)	UNV 120-277V	MD360 360° Motion detector (ON/OFF)
FBY30L840-UNV-MD360-BSL10LST	30L 30,000lm	840 4,000K (80CRI)	UNV 120-277V	MD360 360° Motion detector (ON/OFF) BSL10LST Factory wired 10W Philips Bodine integral emergency pack
FBY30L850-UNV-WC6	30L 30,000lm	850 5,000K (80CRI)	UNV 120-277V	WC6 Wired 6' 16/3 cord
FBY30L850-UNV-LFA	30L 30,000lm	850 5,000K (80CRI)	UNV 120-277V	LFA Frosted acrylic lens
FBY36L840-277-WP6-LCA-MD360	36L 36,000lm	840 4,000K (80CRI)	277 277V	WP6 Wired 6' 16/3 cord & NEMA twist lock plug LCA Clear acrylic lens MD360 360° Motion detector (ON/OFF)
FBY36L840-UNV	36L 36,000lm	840 4,000K (80CRI)	UNV 120-277V	
FBY36L850-UNV	36L 36,000lm	850 5,000K (80CRI)	UNV 120-277V	
FBY48L840-UNV	48L 48,000lm	840 4,000K (80CRI)	UNV 120-277V	
FBY48L840-UNV-MD360	48L 48,000lm	840 4,000K (80CRI)	UNV 120-277V	MD360 360° Motion detector (ON/OFF)
FBY48L840-UNV-BSL10LST	48L 48,000lm	840 4,000K (80CRI)	UNV 120-277V	BSL10LST Factory wired 10W Philips Bodine integral emergency pack
FBY60L840-UNV	60L 60,000lm	840 4,000K (80CRI)	UNV 120-277V	
FBY60L850-UNV	60L 60,000lm	850 5,000K (80CRI)	UNV 120-277V	

Accessories

FBX-SLFA-2N	Frosted acrylic lens kit for 12000lm to 30000lm
MD360	Field installable 360° Motion detector (ON/OFF)
HNH5-VHOOK	54" Chains & V Brackets
HCH5-VHOOK	5' Cables & V Brackets
HCH10-VHOOK	10' Cables & V Brackets

FBZ High Bay



Performance and efficiency at its best

A linear high bay designed to maximize your capital investment and energy costs without sacrificing performance

FBZ High Bay

Example: **FBZ48L840-UNV-N-MD360-BSL20B2**

Ordering Code	Lumens	Color Temperature	Voltage	Options
FBZ24L840-UNV	24L 24,000lm	840 4,000K (80CRI)	UNV 120-277V	
FBZ24L840-UNV-BSL20B2	24L 24,000lm	840 4,000K (80CRI)	UNV 120-277V	BSL20B2 Factory wired 20W Philips Bodine integral emergency pack
FBZ24L840-UNV-LFA	24L 24,000lm	840 4,000K (80CRI)	UNV 120-277V	LFA Frosted acrylic lens
FBZ24L840-UNV-MD360-BSL20B2	24L 24,000lm	840 4,000K (80CRI)	UNV 120-277V	MD360 360° Motion detector (ON/OFF) BSL20B2 Factory wired 20W Philips Bodine integral emergency pack
FBZ24L840-UNV-MD360-LCA	24L 24,000lm	840 4,000K (80CRI)	UNV 120-277V	MD360 360° Motion detector (ON/OFF) LCA Clear acrylic lens
FBZ30L840-UNV-N-BSL20B2	30L 30,000lm	840 4,000K (80CRI)	UNV 120-277V	N Narrow beam distribution BSL20B2 Factory wired 20W Philips Bodine integral emergency pack
FBZ36L840-UNV-N-BSL20B2	36L 36,000lm	840 4,000K (80CRI)	UNV 120-277V	N Narrow beam distribution BSL20B2 Factory wired 20W Philips Bodine integral emergency pack
FBZ48L840-UNV-N-MD360-BSL20B2	48L 48,000lm	840 4,000K (80CRI)	UNV 120-277V	N Narrow beam distribution MD360 360° Motion detector (ON/OFF) BSL20B2 Factory wired 20W Philips Bodine integral emergency pack
FBZ48L840-UNV-N-MD360-LCA	48L 48,000lm	840 4,000K (80CRI)	UNV 120-277V	N Narrow beam distribution MD360 360° Motion detector (ON/OFF) LCA Clear acrylic lens

Accessories	
FBZ-SLCA-2N	Clear acrylic lens kit for 8000lm to 30000lm
FBZ-WG2	Wire guard for 8000lm to 30000lm
MD360	Field installable 360° Motion detector (ON/OFF)
HNH5-VHOOK	54" Chains & V Brackets
HCH5-VHOOK	5' Cables & V Brackets
HCH10-VHOOK	10' Cables & V Brackets



HCY High Bay

Modern design and energy savings

A great new look with no more sacrifices and dependability you can trust.



HCY High Bay

Example: HCY1421L8CST-UN3-DIM

Ordering Code	Lumens	Color Temperature	Voltage	Driver
HCY1421L8CST-UN3-DIM	1421L 14,000/21,000lm	8CST 4,000K/5,000K (80CRI)	UN3 120-347V	DIM 0-10V
HCY2833L8CST-UN3-DIM	2833L 28,000/33,000lm	8CST 4,000K/5,000K (80CRI)	UN3 120-347V	DIM 0-10V

Accessories	
HCY2-PRSM	16" Clear polycarbonate reflector for HCY1421L
HCY2-PRLG	16" Clear polycarbonate reflector for HCY2833L
HCY-SURFACE BKT SM	Surface mount bracket for HCY1421L
HCY-SURFACE BKT LG	Surface mount bracket for HCY2833L
HCY-SENSOR	Field installed microwave sensor
HCY-REMOTE	Remote hand-held programmer for HCY-SENSOR



SDS Selectable Strip

Economical luminaire delivering the right light

SDS Selectable Strip

Example: SDS21224L8CST-UNV-DIM

Ordering Code	Length	Lumens	Color Temperature	Voltage	Driver
SDS21224L8CST-UNV-DIM	2 2'	1224L 1,200/1,800/2,400lm	8CST 3,500K/4,000K/5,000K (80CRI)	UNV 120-277V	DIM 0-10V
SDS42448L8CST-UNV-DIM	4 4'	2448L 2,430/3,640/4,850lm	8CST 3,500K/4,000K/5,000K (80CRI)	UNV 120-277V	DIM 0-10V
SDS84998L8CST-UNV-DIM	8 8'	4998L 4,900/7,350/9,800lm	8CST 3,500K/4,000K/5,000K (80CRI)	UNV 120-277V	DIM 0-10V

Accessories
FKR-126 54" Chains & V Brackets

V3W Vaporlume



Robust, yet highly efficient

A specialized wet location, IP rated product designed for use in both indoor and outdoor environments

V3W Vaporlume

Example: V3W227L840-UNV-DIM

Ordering Code	Length	Lumens	Color Temperature	Voltage	Driver	Options
V3W227L840-UNV-DIM	2 2'	27L 2,700lm	840 4,000K (80CRI)	UNV 120-277V	DIM 0-10V	
V3W435L835-UNV-DIM	4 4'	35L 3,500lm	835 3,500K (80CRI)	UNV 120-277V	DIM 0-10V	
V3W443L830-UNV-DIM	4 4'	43L 4,300lm	830 3000K (80CRI)	UNV 120-277V	DIM 0-10V	
V3W443L835-UNV-DIM	4 4'	43L 4,300lm	835 3,500K (80CRI)	UNV 120-277V	DIM 0-10V	
V3W443L835-UNV-DIM-TR-LFA	4 4'	43L 4,300lm	835 3,500K (80CRI)	UNV 120-277V	DIM 0-10V	TR Torx T-10 tamper resistant stainless steel screws and latches LFA Smooth frosted acrylic lens
V3W443L840-UNV-DIM	4 4'	43L 4,300lm	840 4,000K (80CRI)	UNV 120-277V	DIM 0-10V	
V3W443L840-UNV-DIM-BSL10LST	4 4'	43L 4,300lm	840 4,000K (80CRI)	UNV 120-277V	DIM 0-10V	BSL10LST Factory wired Bodine integral emergency pack
V3W443L840-UNV-DIM-MD360WD	4 4'	43L 4,300lm	840 4,000K (80CRI)	UNV 120-277V	DIM 0-10V	MD360WD Wet location occupancy sensor, (ON/DIM)
V3W451L835-UNV-DIM	4 4'	51L 5,100lm	835 3,500K (80CRI)	UNV 120-277V	DIM 0-10V	
V3W451L835-UNV-DIM-IP67-LFA	4 4'	51L 5,100lm	835 3,500K (80CRI)	UNV 120-277V	DIM 0-10V	IP67 Protection against effects of immersion LFA Smooth frosted acrylic lens
V3W451L840-UNV-DIM	4 4'	51L 5,100lm	840 4,000K (80CRI)	UNV 120-277V	DIM 0-10V	
V3W470L840-UNV-DIM	4 4'	70L 7,000lm	840 4,000K (80CRI)	UNV 120-277V	DIM 0-10V	
V3W470L840-UNV-DIM-MD360WD	4 4'	70L 7,000lm	840 4,000K (80CRI)	UNV 120-277V	DIM 0-10V	MD360WD Wet location occupancy sensor, (ON/DIM)

Accessories

TBK	Stainless Steel Top Bracket Kit (pair of brackets)
FKR-126	54" Chains & V Brackets (must use with TBK)

FluxSpace Strip

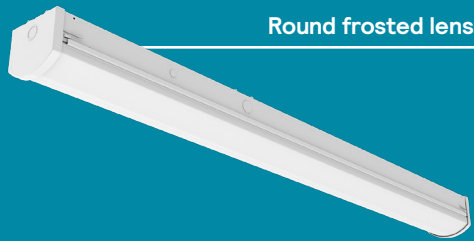
Flexible in form and function

A linear solution with a wide range of features and performance specifications making it ideal for a variety of applications

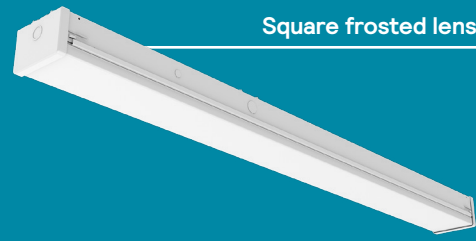
FluxSpace Strip

Example: FLP220L840-Q-UNV-DIM-SWZCS/S

Ordering Code	Length	Lumens	Color Temp.	Lens	Voltage	Driver	Options
FLP220L840-Q-UNV-DIM-SWZCS/S	2 2'	20L 2,000lm	840 4,000K (80CRI)	Q Square, frosted lens	UNV 120-277V	DIM 0-10V	SWZCS/S Interact Pro scalable sensor w/integral daylight & occupancy sensing
FLP220L840-R-UNV-DIM-SWZCS/S	2 2'	20L 2,000lm	840 4,000K (80CRI)	R Round, frosted lens	UNV 120-277V	DIM 0-10V	SWZCS/S Interact Pro scalable sensor w/integral daylight & occupancy sensing
FLP230L840-Q-UNV-DIM-SWZCS/S	2 2'	30L 3,000lm	840 4,000K (80CRI)	Q Square, frosted lens	UNV 120-277V	DIM 0-10V	SWZCS/S Interact Pro scalable sensor w/integral daylight & occupancy sensing
FLP430L840-Q-UNV-DIM-SWZCS/S-BSL10LST	4 4'	30L 3,000lm	840 4,000K (80CRI)	Q Square, frosted lens	UNV 120-277V	DIM 0-10V	SWZCS/S Interact Pro scalable sensor (side mounted) BSL10LST Factory wired 10W Philips Bodine integral emergency pack
FLP430L840-Q-UNV-DIM-SWZCS/S	4 4'	30L 3,000lm	840 4,000K (80CRI)	Q Square, frosted lens	UNV 120-277V	DIM 0-10V	SWZCS/S Interact Pro scalable sensor w/integral daylight & occupancy sensing
FLP430L840-R-UNV-DIM-SWZCS/S-BSL10LST	4 4'	30L 3,000lm	840 4,000K (80CRI)	R Round, frosted lens	UNV 120-277V	DIM 0-10V	
FLP430L840-R-UNV-DIM-SWZCS/S	4 4'	30L 3,000lm	840 4,000K (80CRI)	R Round, frosted lens	UNV 120-277V	DIM 0-10V	SWZCS/S Interact Pro scalable sensor w/integral daylight & occupancy sensing
FLP440L840-Q-UNV-DIM-SWZCS/S	4 4'	40L 4,000lm	840 4,000K (80CRI)	Q Square, frosted lens	UNV 120-277V	DIM 0-10V	SWZCS/S Interact Pro scalable sensor w/integral daylight & occupancy sensing
FLP860L840-Q-UNV-DIM-SWZCS/S-BSL10LST	8 8'	60L 6,000lm	840 4,000K (80CRI)	Q Square, frosted lens	UNV 120-277V	DIM 0-10V	SWZCS/S Interact Pro scalable sensor (side mounted) BSL10LST Factory wired 10W Philips Bodine integral emergency pack
FLP860L840-Q-UNV-DIM-SWZCS/S	8 8'	60L 6,000lm	840 4,000K (80CRI)	Q Square, frosted lens	UNV 120-277V	DIM 0-10V	SWZCS/S Interact Pro scalable sensor w/integral daylight & occupancy sensing
FLP860L840-R-UNV-DIM-SWZCS/S	8 8'	60L 6,000lm	840 4,000K (80CRI)	R Round, frosted lens	UNV 120-277V	DIM 0-10V	SWZCS/S Factory wired Bodine BSL310LP integral emergency pack
FLP860L840-U-UNV-DIM-SWZCS/S	8 8'	60L 6,000lm	840 4,000K (80CRI)	U Wide upright, frosted lens	UNV 120-277V	DIM 0-10V	SWZCS/S Interact Pro scalable sensor w/integral daylight & occupancy sensing



Round frosted lens



Square frosted lens

FluxSpace Strip

Example: FLP220L840-Q-UNV-DIM-SWZCS/S

Ordering Code	Length	Lumens	Color Temp.	Lens	Voltage	Driver	Options
FLP880L840-Q-UNV-DIM-SWZCS/S-BSL10LST	8 8'	80L 8,000lm	840 4,000K (80CRI)	Q Square, frosted lens	UNV 120-277V	DIM 0-10V	SWZCS/S Interact Pro scalable sensor (side mounted) BSL10LST Factory wired 10W Philips Bodine integral emergency pack
FLP880L840-Q-UNV-DIM-SWZCS/S	8 8'	80L 8,000lm	840 4,000K (80CRI)	Q Square, frosted lens	UNV 120-277V	DIM 0-10V	SWZCS/S Interact Pro scalable sensor w/integral daylight & occupancy sensing
FLP880L840-R-UNV-DIM-SWZCS/S	8 8'	80L 8,000lm	840 4,000K (80CRI)	R Round, frosted lens	UNV 120-277V	DIM 0-10V	SWZCS/S Factory wired Bodine BSL310LP integral emergency pack

Accessories	
FKR-126	54" Chains & V Brackets
DACH48	Adjustable 48" cable hanger kit (single)
DACH48-1-SC	Adjustable 48" cable hanger kit with white straight 18/3 cord (single)
DACH48-1D-SC	Adjustable 48" cable hanger kit with white straight 18/5 cord & dim leads (single)

FluxStream Strip

Real convenience for your operation's success

Tough and dependable luminaires designed for ease of handling and flexibility

FluxStream EZ Strip

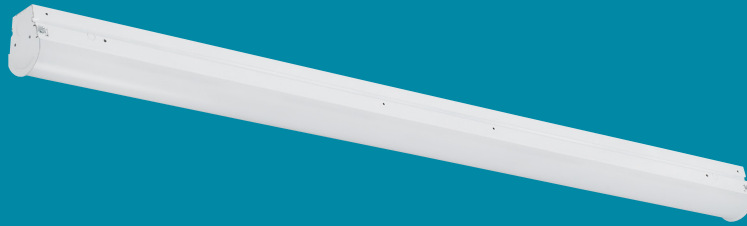
Example: FSSEZ440L840-UNV-DIM

Ordering Code	Length	Lumens	Color Temperature	Voltage	Driver	Options
FSSEZ440L840-UNV-DIM	4 4'	40L 4,000lm	840 4,000K (80CRI)	UNV 120-277V	DIM 0-10V	
FSSEZ880L840-UNV-DIM	8 8'	80L 8,000lm	840 4,000K (80CRI)	UNV 120-277V	DIM 0-10V	

FluxStream Strip

Example: FSS220L835-UNV-DIM

Ordering Code	Length	Lumens	Color Temperature	Voltage	Driver	Options
FSS220L835-UNV-DIM	2 2'	20L 2,000lm	835 3,500K (80CRI)	UNV 120-277V	DIM 0-10V	
FSS220L840-UNV-DIM	2 2'	20L 2,000lm	840 4,000K (80CRI)	UNV 120-277V	DIM 0-10V	
FSS220L850-UNV-DIM	2 2'	20L 2,000lm	850 5,000K (80CRI)	UNV 120-277V	DIM 0-10V	
FSS330L835-UNV-DIM	3 3'	30L 3,000lm	835 3,500K (80CRI)	UNV 120-277V	DIM 0-10V	
FSS330L840-UNV-DIM	3 3'	30L 3,000lm	840 4,000K (80CRI)	UNV 120-277V	DIM 0-10V	
FSS430L835-UNV-DIM	4 4'	30L 3,000lm	835 3,500K (80CRI)	277 277V	DIM 0-10V	
FSS430L840-UNV-DIM	4 4'	30L 3,000lm	840 4,000K (80CRI)	UNV 120-277V	DIM 0-10V	
FSS430L850-UNV-DIM	4 4'	30L 3,000lm	850 5,000K (80CRI)	UNV 120-277V	DIM 0-10V	
FSS440L830-UNV-DIM	4 4'	40L 4,000lm	830 3,000K (80CRI)	UNV 120-277V	DIM 0-10V	
FSS440L835-UNV-DIM	4 4'	40L 4,000lm	835 3,500K (80CRI)	UNV 120-277V	DIM 0-10V	
FSS440L835-UNV-DIM-EMLED	4 4'	40L 4,000lm	835 3,500K (80CRI)	UNV 120-277V	DIM 0-10V	EMLED Factory wired Bodine BSL310LP integral emergency pack
FSS440L835-UNV-SDIM	4 4'	40L 4,000lm	835 3,500K (80CRI)	UNV 120-277V	SDIM Step dimming to 40% input power	
FSS440L835-UNV-SDIM-EMLED	4 4'	40L 4,000lm	835 3,500K (80CRI)	UNV 120-277V	SDIM Step dimming to 40% input power	EMLED Factory wired Bodine BSL310LP integral emergency pack
FSS440L840-UNV-DIM	4 4'	40L 4,000lm	840 4,000K (80CRI)	UNV 120-277V	DIM 0-10V	
FSS440L840-UNV-DIM-EMLED	4 4'	40L 4,000lm	840 4,000K (80CRI)	UNV 120-277V	DIM 0-10V	EMLED Factory wired Bodine BSL310LP integral emergency pack
FSS440L840-UNV-SDIM	4 4'	40L 4,000lm	840 4,000K (80CRI)	UNV 120-277V	SDIM Step dimming to 40% input power	
FSS440L850-UNV-DIM	4 4'	40L 4,000lm	850 5,000K (80CRI)	UNV 120-277V	DIM 0-10V	
FSS455L835-UNV-DIM	4 4'	55L 5,500lm	835 3,500K (80CRI)	UNV 120-277V	DIM 0-10V	
FSS455L840-UNV-DIM	4 4'	55L 5,500lm	840 4,000K (80CRI)	UNV 120-277V	DIM 0-10V	



FluxStream Strip

Example: FSS220L835-UNV-DIM

Ordering Code	Length	Lumens	Color Temperature	Voltage	Driver	Options
FSS455L850-UNV-DIM	4 4'	55L 5,500lm	850 5,000K (80CRI)	UNV 120-277V	DIM 0-10V	
FSS470L835-UNV-DIM	4 4'	70L 7,000lm	835 3,500K (80CRI)	UNV 120-277V	DIM 0-10V	
FSS470L840-UNV-DIM	4 4'	70L 7,000lm	840 4,000K (80CRI)	UNV 120-277V	DIM 0-10V	
FSS860L840-UNV-DIM	8 8'	60L 6,000lm	840 4,000K (80CRI)	UNV 120-277V	DIM 0-10V	
FSS860L850-UNV-DIM	8 8'	60L 6,000lm	850 5,000K (80CRI)	UNV 120-277V	DIM 0-10V	
FSS880L835-UNV-DIM	8 8'	80L 8,000lm	835 3,500K (80CRI)	UNV 120-277V	DIM 0-10V	
FSS880L835-UNV-DIM-EMLED	8 8'	80L 8,000lm	835 3,500K (80CRI)	UNV 120-277V	DIM 0-10V	EMLED Factory wired Bodine BSL310LP integral emergency pack
FSS880L840-UNV-DIM	8 8'	80L 8,000lm	840 4,000K (80CRI)	UNV 120-277V	DIM 0-10V	
FSS880L840-UNV-DIM-EMLED	8 8'	80L 8,000lm	840 4,000K (80CRI)	UNV 120-277V	DIM 0-10V	EMLED Factory wired Bodine BSL310LP integral emergency pack
FSS880L850-UNV-DIM	8 8'	80L 8,000lm	850 5,000K (80CRI)	UNV 120-277V	DIM 0-10V	
FSS8110L835-UNV-DIM	8 8'	110L 11,000lm	835 3,500K (80CRI)	UNV 120-277V	DIM 0-10V	
FSS8110L835-UNV-DIM-EMLED	8 8'	110L 11,000lm	835 3,500K (80CRI)	UNV 120-277V	DIM 0-10V	EMLED Factory wired Bodine BSL310LP integral emergency pack
FSS8110L840-UNV-DIM	8 8'	110L 11,000lm	840 4,000K (80CRI)	UNV 120-277V	DIM 0-10V	
FSS8110L840-UNV-DIM-EMLED	8 8'	110L 11,000lm	840 4,000K (80CRI)	UNV 120-277V	DIM 0-10V	EMLED Factory wired Bodine BSL310LP integral emergency pack
FSS8110L850-UNV-DIM	8 8'	110L 11,000lm	850 5,000K (80CRI)	UNV 120-277V	DIM 0-10V	

Accessories	
FKR-126	54" Chains & V Brackets
FSTH	Sliding Hanger Bracket (set of two)
FSSWG4	Wire Guard 4' (order two for 8' models)
FSSD4L	4' Diffuse replacement lens (order two for 8' models)

VTS Sealed Strip

Dual selectable for indoor and outdoor applications

A sealed strip luminaire offering rugged reliability, selectability, and efficacy



VTS Sealed Strip

Example: VTS22028L8CST-UN3-DIM

Ordering Code	Length	Lumens	Color Temperature		Voltage	Driver
VTS22028L8CST-UN3-DIM	2 2'	25L 2,500lm	840	4,000K (80CRI)	UN3 120-347V	DIM 0-10V
VTS225L840-UN3-DIM	2 2'	2028L 2,000/2,400/2,800lm	8CST	3,500/4,000/5,000K (80CRI)	UN3 120-347V	DIM 0-10V
VTS42856L8CST-UN3-DIM	4 4'	50L 5,000lm	840	4,000K (80CRI)	UN3 120-347V	DIM 0-10V
VTS450L840-UN3-DIM	4 4'	2856L 2,800/4,200/5,600lm	8CST	3,500/4,000/5,000K (80CRI)	UN3 120-347V	DIM 0-10V
VTS8100L840-UN3-DIM	8 8'	100L 10,000lm	840	4,000K (80CRI)	UN3 120-347V	DIM 0-10V
VTS880130L8CST-UN3-DIM	8 8'	80130L 8,000/11,000/13,000lm	8CST	3,500/4,000/5,000K (80CRI)	UN3 120-347V	DIM 0-10V



Value VLTC



The best economical solution for all your general purpose needs **without compromising on quality and performance**

Value VLTC – Exit/Unit Combo

Example: VLTCR3R

Ordering Code	Voltage	Letter Color	Housing Color	LED Lamps	Remote Capability
VLTCR3R	3.6V	Red	White	2 - 1W	2 - 1W or 1 - 2W heads
VLTCG3R	3.6V	Green	White	2 - 1W	2 - 1W or 1 - 2W heads

Value VLTC – Remote Heads

Example: VLT1R

Ordering Code	Voltage	Housing Color	LED Lamps
VLT1R	3.6V	White	1 - 1W
VLT2R	3.6V	White	2 - 1W

Compac



Emergency lighting that actually fits into your **carefully designed spaces**

A general purpose exit and emergency family combining unobtrusive/aesthetically-pleasing looks with optimum performance



Compac

Example: CLCNRW

Ordering Code	Battery	Color	Options
CLCNRW	N NiMH	RW Red letters on white housing	
CLCNRW2R	N NiMH	RW Red letters on white housing	2R Remote capability
CLCNGW	N NiMH	GW Green letters on white housing	
CLCNGW2R	N NiMH	GW Green letters on white housing	2R Remote capability

SlimFlood Dual Select



Fade-resistant, textured bronze finish with tempered glass lens that is heat and impact resistant

SlimFlood Dual Select

Example: SF15-SCT-K-G2-10-BZ

Ordering Code	Luminaire	Color Temperature	Mounting	Gen.	Voltage	Options	Finish
SF15-SCT-K-G2-10-BZ	SF15 15W	SCT 3000K/4000K/5000K	K Knuckle	G2	10 120-347V		BZ Bronze
SF15-SCT-Y-G2-10-BZ	SF15 15W	SCT 3000K/4000K/5000K	Y Yoke	G2	10 120-347V		BZ Bronze
SF35-SCT-K-G2-10-PCB-BZ	SF35 15-25-35W	SCT 3000K/4000K/5000K	K Knuckle	G2	10 120-347V	PCB Photocell	BZ Bronze
SF35-SCT-Y-G2-10-PCB-BZ	SF35 15-25-35W	SCT 3000K/4000K/5000K	Y Yoke	G2	10 120-347V	PCB Photocell	BZ Bronze
SF60-SCT-K-G2-10-PCB-BZ	SF60 15-35-60W	SCT 3000K/4000K/5000K	K Knuckle	G2	10 120-347V	PCB Photocell	BZ Bronze
SF60-SCT-Y-G2-10-PCB-BZ	SF60 15-35-60W	SCT 3000K/4000K/5000K	Y Yoke	G2	10 120-347V	PCB Photocell	BZ Bronze
SF100-SCT-S-G2-10-PCB-BZ	SF100 60-80-100W	SCT 3000K/4000K/5000K	S Slipfitter	G2	10 120-347V	PCB Photocell	BZ Bronze
SF100-SCT-T-G2-10-PCB-BZ	SF100 60-80-100W	SCT 3000K/4000K/5000K	T Trunnion	G2	10 120-347V	PCB Photocell	BZ Bronze
SF150-SCT-S-G2-10-PCB-BZ	SF150 100-120-150W	SCT 3000K/4000K/5000K	S Slipfitter	G2	10 120-347V	PCB Photocell	BZ Bronze
SF150-SCT-T-G2-10-PCB-BZ	SF150 100-120-150W	SCT 3000K/4000K/5000K	T Trunnion	G2	10 120-347V	PCB Photocell	BZ Bronze
SF205-SCT-S-G2-10-BZ	SF205 120-150-205W	SCT 3000K/4000K/5000K	S Slipfitter	G2	10 120-347V		BZ Bronze
SF205-SCT-T-G2-10-BZ	SF205 120-150-205W	SCT 3000K/4000K/5000K	T Trunnion	G2	10 120-347V		BZ Bronze
SF300-SCT-S-G2-10-BZ	SF300 205-255-300W	SCT 3000K/4000K/5000K	S Slipfitter	G2	10 120-347V		BZ Bronze
SF300-SCT-T-G2-10-BZ	SF300 205-255-300W	SCT 3000K/4000K/5000K	T Trunnion	G2	10 120-347V		BZ Bronze

As the complexity of your projects skyrockets, faster delivery becomes increasingly important.

The Ledalite 10-day QuickShip program includes all of our high performance and award-winning LED linear, recessed, surface, and slot luminaire families.



Click or scan here to view the Ledalite Design ready brochure

Design ready

As the complexity of your projects skyrockets, faster delivery becomes increasingly important.

The Ledalite 10-day QuickShip program includes all of our high performance and award-winning LED linear, recessed, surface, and slot luminaire families.

Conditions

QuickShip must be requested when ordering and will be shipped within 10 working days.

- **Linear Luminaires:** Limit of 500 linear luminaire units
- **Recessed Troffers:** Limit of 100 luminaire units

Exclusions

- Hold for Release or Do Not Ship Back
- Patterns or rows that require drawing
- All non-standard, 3rd party drivers
- Connected options (Interact Pro, etc.)
- Tunable White
- Thru-wiring for additional circuits
- 347V with Battery pack
- Surface mount only available in Troffer
- Wall mount luminaires
- Air Return housing

Please refer to product spec sheets for all other product options.



GENLYTE SOLUTIONS

a Signify business

© 2024 Signify Holding. All rights reserved. The information provided herein is subject to change, without notice. Signify does not give any representation or warranty as to the accuracy or completeness of the information included herein and shall not be liable for any action in reliance thereon. The information presented in this document is not intended as any commercial offer and does not form part of any quotation or contract, unless otherwise agreed by Signify.

Signify North America Corporation
400 Crossing Blvd, Suite 600
Bridgewater, NJ 08807
Telephone 800-555-0500

Signify Canada Ltd.
281 Hillmount Road,
Markham, ON, Canada L6C 2S3
Telephone 800-668-9008

All trademarks are owned by Signify Holding or their respective owners.