

Day-Brite



by Signify

Linear Surface

SlimLux

2ft & 4ft



Day-Brite/CFI SlimLux LED is a close-to-ceiling, direct/indirect, surface mount linear luminaire that is designed for installation on t-grid ceilings. It provides even illumination in a small profile, has a unique design that makes installation fast and easy, and can be easily relocated in adaptation to changing application layouts.

Project: _____
 Location: _____
 Cat.No: _____
 Type: _____
 Notes: _____

Ordering Guide

example: SL1P04835NGW

Lightbar						
Family	Quantity	Length	CRI & CCT	Distribution	Mounting	Finish
SL SlimLux	1P Single Luminaire	04 4ft Lightbar 02 2ft Lightbar	835 80 CRI, 3500K 840 80 CRI, 4000K	N 90% Up/ 10% Down	G NEMA G 15/16" T-Grid	W White

example: SLO4QG38LUNVDIM1

Driver Pod							
Family	Lightbar Length	Driver Pod Package ⁵	Ceiling Type	Lumen Package	Voltage	Driver	Options
SL SlimLux	04 4ft lightbar	S Driver Pod for 1 Lightbar Q ⁵ Driver Pod for 4 Lightbars M ⁵ Driver Pod for 8 Lightbars	G NEMA G T-Grid	38L 3800lm/4ft 30L 3000lm/4ft	UNV 120/277V 347 ^{3,4} 347V	DIM1 ¹ Dimming SDIM1 ⁶ Step dimming LDE ⁵ Lutron LDE5 5% dimming LDEH ⁶ Lutron LDE1 1% dimming	F1 3/8" flex, 3 wire 18 guage 6' F2 3/8" flex, 4 wire 18 guage 6' F1/D 3/8" twin flex, 3 wire 18 gauge 6' for dimmable luminaires F2/5W 3/8" single flex, 5 wire 18 gauge 6' for dimmable luminaires F2/6W 3/8" single flex, 6 wire 18 gauge 6' for dimmable & emergency luminaires GLR Fusing, fast blow BSL10LST ^{2,4} Bodine 10W self-testing battery pack BSL6LST ^{2,4} Bodine 6W self-testing battery pack IAP ⁷ Integral Interact Pro RF sensor, enables connected lighting control CHIC Chicago Plenum Rated
	02 2ft lightbar	19L 1900lm/2ft 15L 1500lm/2ft					

1. Non-controls options are 0-10v 1% dimming. Controls options are dimmable to 5% via wireless wall switch.
2. Emergency options available only with 4' single driver pods.
3. 347V not available with 2' 8-lightbar (M) driver pods.
4. 347V not available with emergency options.
5. Note that each Driver Pod is designed for the exact amount of lightbars.
For example: Q pod must be installed and operated with 4 lightbars.
6. Available with only single (S) driver pod option.
7. Available only with DIM1 lightbar driver option.

Accessories:

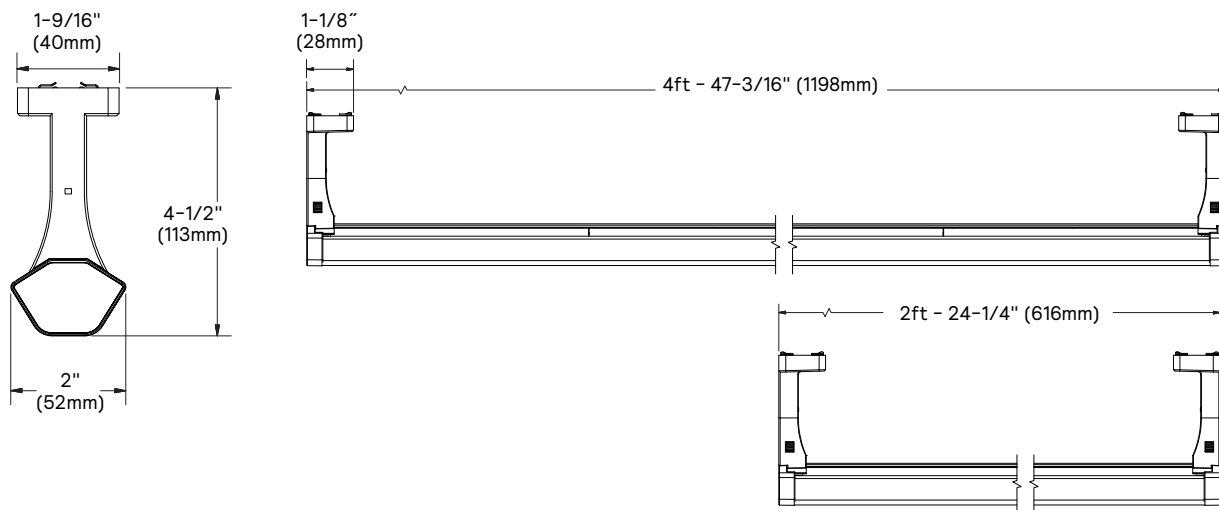
SWZDT⁷ SpaceWise wireless controller with dwell time functionality (compatible with DIM1 driver option only - see "SWZDT" spec sheet)



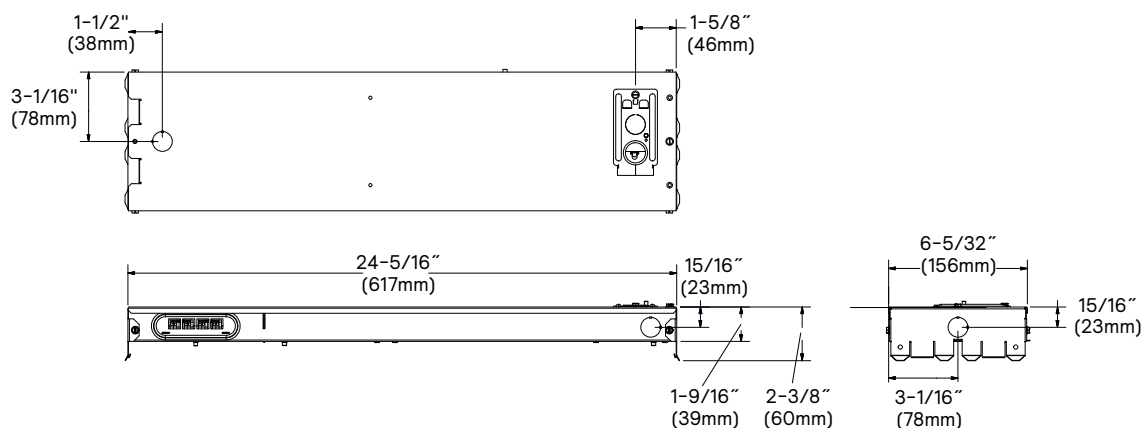
SlimLux LED Linear surface

Dimensions

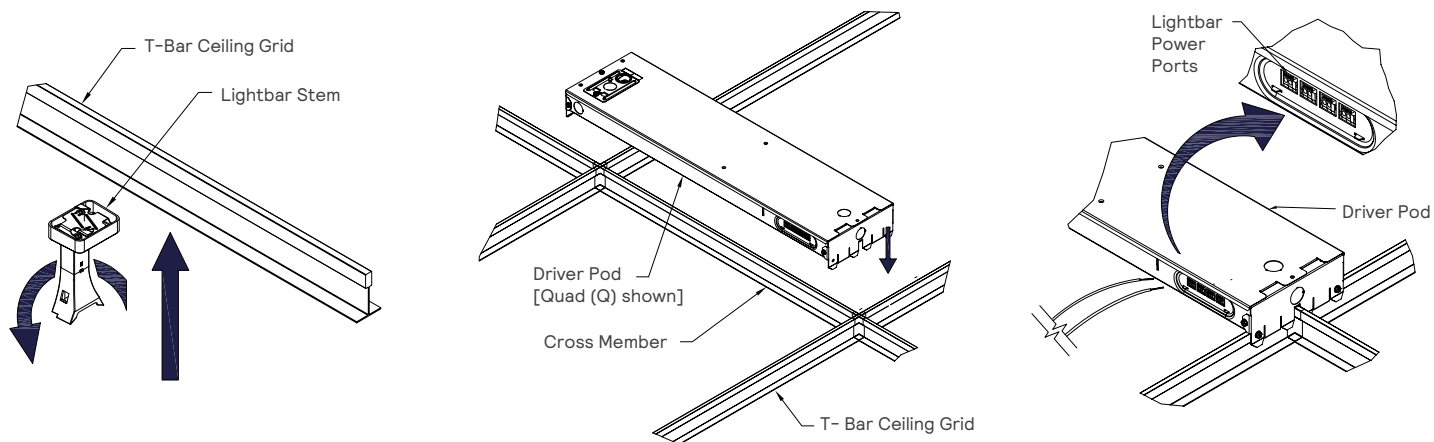
Lightbar



Driver Pod



Easy Installation



*All Driver Pod Ports must be connected to individual Lightbars.

**Single (S) driver pod is direct wire to lightbar. Quad (Q) and Oct (M) driver pods include two-port push in wire connections.

***Oct (M) driver pod includes four connection ports on each side of splice box.

Specifications

Optical System

The optical system is driven by thin LEDs coupled to a unique optical lens. The asymmetric multifaceted reflection/refraction lens has been specifically engineered to create efficacious and homogeneous light extraction, providing a wide upper-hemisphere distribution and a subtle glow which can be seen from below. The distribution for this luminaire is 90% up-light and 10% down-light.

Construction

- Housing: Polycarbonate
- Mounting: Stems and light bar ends are made from injection molded polycarbonate
- Luminaire Weight : 2lb/4ft; 0.5lb/2ft

Electrical

- SlimLux lightbars are to be installed only with SlimLux driver pods.
- Lightbars are class 2 low voltage, 30–36VDC typical.
- Lightbar power stem includes 19" class 2 wiring with thinned ends.
- Driver pods (ordered separately) are connected to building mains in the ceiling plenum space. Low voltage wires (by others) provide power to the lightbars.
- Single driver pods are direct wire to lightbars. Quad (Q) and Oct (M) driver pods include two-wire push in ports.
- Driver pods include integral clips for mounting to T-bar above the ceiling.
- Compliance to CAN ICES-005-A/NEB-005-A and FCC Part 15-A.

Standard Drivers

- Philips Advance Xitanium 0–10V, 1–100% (DIM1 option code).
- Class 2 rated output. Consult Day-Brite for other available drivers.
- Power Factor: >0.90
- Total Harmonic Distortion: <20%
- Other driver options including step dimming and Lutron are available.

Optional Battery Pack

- Philips Bodine, 90 min, 6W or 10W. Class 2 rated output, located in the remotely mounted Driver Pod Emergency lumen output.

Lumen Maintenance

LEDs have been tested by the manufacturer in accordance with IESNA LM-80 at an ambient temperature of 25°C, the LED lumen maintenance expectation according to IES TM-21-11 is: L70 >70,000 hrs suspended (Reported methodology).

Source Color

LEDs rated for color rendering CRI >80, R9 >9 and fixture to fixture color accuracy within 3 SDCM.

Ends

- Easy plug and play installation with nominal 4ft modules and 2ft modules. See dimension drawings for exact measurements.

Mounting

- Stems are compatible with NEMA G 15/16" wide T-bar.
- Stems twist lock to T-bar and lightbar snaps to stem for quick installation.
- Standard mounting allows for a flush ceiling tile only. For tegular tiles, refer to dimensional line art for stem top dimensions.

Controls

SpaceWise DT (SWZDT)

- Remote mounted, installed as an accessory controlling up to 730VA load at 120V.
- Commissioning via compatible Android phone and Philips Field App.
- Dimming via compatible wireless wall switch only (see below)
- Register for commissioning app at <https://www.componentcloud.philips.com/#/register>.
- Integral sensing options (SWZDT, IAP) may not be combined.
- For more information including recommended switches, refer to http://www.lightingproducts.signify.com/documents/webdb2/DayBrite/pdf/SWZDT_sensor.pdf.
- For more information on the SWZDT accessory, refer to http://www.lightingproducts.signify.com/Documents/webdb2/Philips%20Controls/pdf/SpaceWise_DT_controller_IPS.pdf.

Interact Pro (IAP)

- Interact Pro brings the power of connected lighting to small and medium businesses without the complexity usually associated with connected lighting.
- Interact Pro sensor attaches to adjacent T-bar, signal propagation from above ceiling.
- Interact Pro includes an app, a portal and a broad portfolio of wireless Luminaires, lamps and retrofit kits all working on the same system.
- Commissioning via Interact Pro App (Android or iPhone).
- Prepare commissioning remotely via Interact Pro portal.
- Requires compatible Interact Pro Gateway and internet connectivity for commissioning.
- Compatible with UID8451/10 ZigBee Greenpower wireless dimmer switch.
- Compatible with wireless Occ sensor (OCC SENSOR IA CM IP42 WH 10/1) or wireless Day/Occ sensor (OCC MULTI SENSOR IA CM WH 10/1).
- For more information on Interact Pro visit: www.interact-lighting.com/pro.
- For more information on Interact Ready visit: www.philips.com/interactready.

Validation

- cETLus listed for use in damp locations.
- CCEA Chicago Plenum option available.
- IC Rating: for Driver Pods with 1 and 4 lightbars only.
- Lightbars are RoHS compliant.
- SlimLux luminaires are Designlights Consortium® qualified. Please see the DLC QPL list for exact catalog numbers (www.designlights.org/QPL).
- SlimLux is DLC standard listed as a DC system in the linear ambient luminaire with indirect category.

WELL Building Standard®

The WELL Building Standard® is the first standard to integrate human health and wellness into the design, construction, maintenance and operations of buildings. SlimLux contributes toward satisfying feature L04 under the WELL Building Standard®. International WELL Building Institute™ and the related logo are trademarks used with permission from the International WELL Building Institute™.

Environment

Rated for dry or damp locations in operating ambient temperatures 0–30°C (32–86°F).

Many luminaire components, such as reflectors, refractors, lenses, sockets, lampholders, and LEDs are made from various types of plastics which can be adversely affected by airborne contaminants. If sulfur based chemicals, petroleum based products, cleaning solutions, or other contaminants are expected in the intended area of use, consult factory for compatibility. Not suitable for natatorium environments.

Warranty

Five-year luminaire limited warranty including LED boards and driver pods. Visit www.signify.com/warranties for complete warranty information.

SlimLux LED Linear surface

Photometry

SlimLux Energy and Color Data

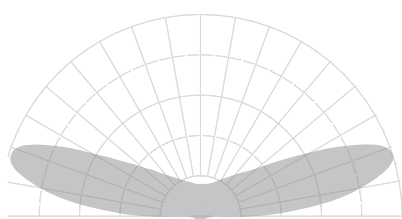
Nominal Length (ft)	Nominal Lumen Package (lm)	Nominal CCT & CRI	Flux (lm)	AC Power (W)	DC Power (W)	AC Efficacy*	DC Efficacy**	CRI	R9
2	1500	3500K/80 CRI	1396	13	10	108	134	83	9
2	1500	4000K/80 CRI	1480	13	10	112	142	83	11
2	1900	3500K/80 CRI	1718	16	13	109	129	83	9
2	1900	4000K/80 CRI	1860	16	13	115	140	83	11
4	3000	3500K/80 CRI	2815	25	21	114	133	83	9
4	3000	4000K/80 CRI	2866	25	21	124	137	83	11
4	3800	3500K/80 CRI	3513	32	27	113	129	83	9
4	3800	4000K/80 CRI	3604	32	27	123	133	83	11

Luminaire photometry conducted in accordance with IESNA LM-79.

*AC efficacy based on single driver pod (S)

** DC efficacy based on DC power supply

4' SlimLux surface LED, 3800lm nominal delivered lumens, 4000K



Candela distribution

Vertical Angle	Horizontal Angle			
	0°	45°	90°	-45°
0	71	71	71	71
5	70	71	71	71
15	68	70	71	70
25	64	67	67	67
35	58	62	60	62
45	49	50	48	50
55	40	40	41	40
65	28	31	36	31
75	16	31	53	31
85	6	125	188	125
95	5	552	912	552
105	55	759	1477	759
115	136	544	1300	544
125	209	426	780	426
135	257	387	541	387
145	288	371	440	371
155	313	361	395	361
165	331	353	368	353
175	342	346	350	346

Light Distribution

Degrees	Lumens	% Luminaire
0-30	57	1.6
0-40	95	2.6
0-60	171	4.7
0-90	386	10.7
90-120	1967	54.3
90-130	2393	66.1
90-150	2935	81.1
90-180	3235	89.3
0-180	3621	100.0

Average Luminance

Angle	End	45'	Cross
45	1295	1023	919
55	1272	932	846
65	1216	847	854
75	1100	1083	1544
85	1007	6200	7272

Lightbar	SL1P04840NGW
Driver Pod	SL04SG38LUNVDIM1
Test No.	40483
S/MH	1.3
Lamp Type	LED
Lumens	3604
Input Watts	32
AC Efficacy	123
DC Efficacy*	133

Coefficients of Utilization

EFFECTIVE FLOOR CAVITY REFLECTANCE 20 PER (pfc=0.20)

Ceiling (pcc)	80%			70%			50%		
	70	50	30	70	50	30	50	30	
Wall (pw)	70	50	30	70	50	30	50	30	
RCR	Zonal cavity method - Effective floor reflectance = 20%								
Room Cavity Ratio	0	97	97	97	84	84	84	60	60
	1	88	82	79	76	71	68	51	48
	2	79	71	66	68	61	56	45	40
	3	71	63	56	61	55	48	39	34
	4	66	55	47	56	47	41	34	29
	5	59	48	40	52	42	35	30	26
	6	55	44	35	47	38	32	28	23
	7	51	39	32	44	34	28	25	20
	8	46	34	28	40	30	25	22	17
	9	44	32	25	38	28	22	20	16
	10	40	28	22	34	26	20	19	14

Comparative yearly lighting energy cost per 1000 lumens – **\$1.79** based on 3000 hrs. and \$.08 pwr KWH.

Photometric values based on test performed in compliance with LM-79.

The photometric results were obtained in the Signify Day-Brite laboratory which is NVLAP accredited by the National Institute of Standards and Technology.

*Without driver losses

