

**INSTALLATION FOR NEW STUD WALL
(USE ACCESSORY KET #MAKNS)**

Using the template supplied, cut a level hole through the wall board to fit around the fixture housing. Failure to level the hole will cause the fixture to have a tilted appearance.

Mount "L" brackets onto housing 4 places with screw positioned in center of slot, and insert cross brackets through the "L" brackets on top and bottom of housing.

Position fixture so that the housing extends past the studs the thickness of the wallboard plus 1/8 inch.

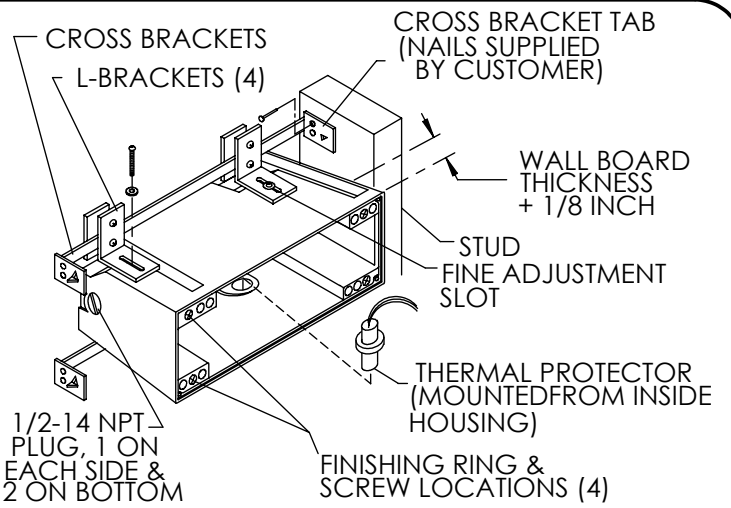
Level fixture and hammer tabs on cross brackets into studs, then nail brackets securely to studs.

Fine adjust fixture position and tighten all loose screws.

Remove the 1/2" NPT plugs from the side/bottom of the housing and pull supply wires through holes and into housing.

Install wall board.

Install thermal protector.



**INSTALLATION FOR EXISTING STUD WALL
(USE ACCESSORY KET #MAKEC)**

Using the template supplied, cut a level hole through the existing wall between existing studs. Failure to level the hole will cause the fixture to have a tilted appearance.

Push the four mounting screws through the housing holes and into rear channels. (NOTE: A thin membrane covers the housing holes and may require forcing the screws through to penetrate the membrane.)

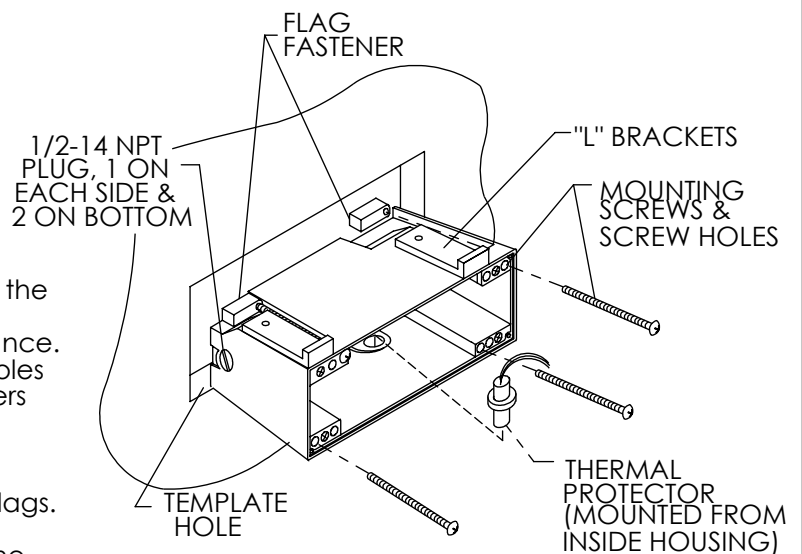
Place flags flat on rear of housing and thread screws into flags until the screws are completely through the flags.

Install four "L" brackets on housing with four screws.

Remove the 1/2" NPT plugs from the side/bottom of the housing and pull the supply wires through into the housing.

Push housing into the hole in the wall and tighten four mounting screws until the flag fasteners have drawn tightly up against the rear surface of the wall.

Install thermal protector.



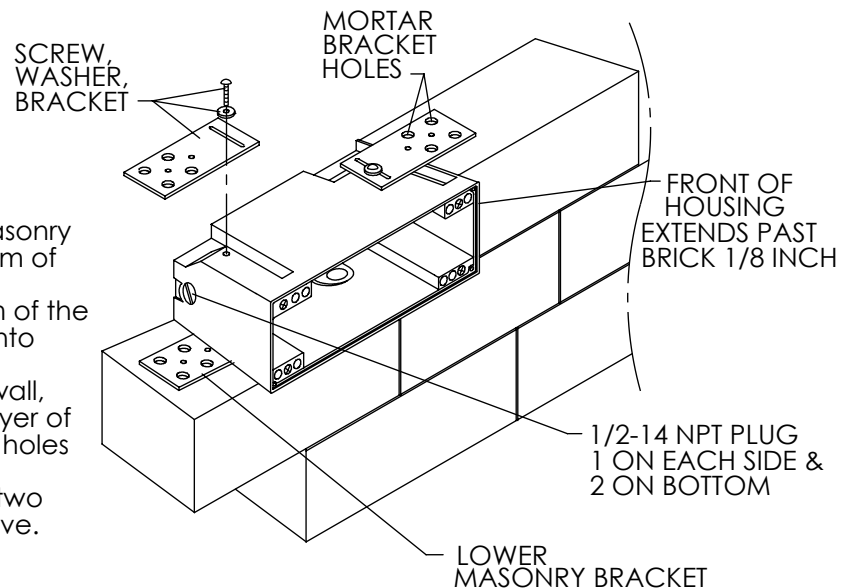
**INSTALLATION FOR MASONRY WALL
(USE ACCESSORY KET #MAKM)**

Install two screws through washers and lower masonry brackets and into tapped housing holes on bottom of fixture.

Remove the 1/2" NPT plugs from the side/bottom of the housing and pull supply wires through holes and into housing.

Leaving 1/8" of housing extending past front of wall, press fixture and lower masonry brackets into a layer of mortar so that the mortar penetrates through the holes of the masonry brackets.

After laying another course of blocks, install the two upper masonry brackets onto the housing as above.



**INSTALLATION FOR CONCRETE POUR
(HARDWARE INCLUDED WITH FIXTURE)**

**NOTE: LEVEL TEMPLATE BEFORE
DRILLING OR CUTTING**

Level supplied template on wood support frame and drill four 3/16" diameter clearance holes. Failure to level will cause fixture to have a tilted appearance.

Remove the 1/2" NPT plugs from the side/bottom of the housing and pull the supply wires through the holes and into the housing.

Be sure all unused electrical plugs have been replaced. Using template, cut 1/8" deep outline into back of wood support.

Secure housing to wood support with screws supplied in hardware pack. Housing must extend 1/8" past front of finished wall.

Pour concrete.

After concrete is dry, remove 4 screws and wood support.

