

Page 3 of 3

Read and understand these instructions before installing luminaire (fixture).

This luminaire is intended for installation in accordance with the National Electrical Code and local regulations. To assure full compliance with local codes and regulations, check with your local electrical inspector before installation. To prevent electrical shock, turn off electricity at fuse box before proceeding. Allow fixture to cool before handling.

Retain these instructions for maintenance reference.

INSTRUCTIONS FOR INSTALLING AND OPERATING LLF2VS VISOR TO LUMINAIRE LLF227, LLF230, & LLF240 SERIES.

INSTRUCTIONS FOR ATTACHING VISOR LLF2VS TO LUMINAIRE.

1. Place LONG TAB of visor in GROOVE. (FIG 1)
2. Rotate VISOR toward Luminaire.
3. Press SUPPORT BEAM enough to engage SHORT TABS into GROOVE. (FIG 2)
4. Ensure both LONG AND SHORT TABS are engaged in GROOVES in Luminaire. (FIG 2)
5. TO REMOVE: Press down on SUPPORT BEAM of VISOR and pull VISOR away from Luminaire.

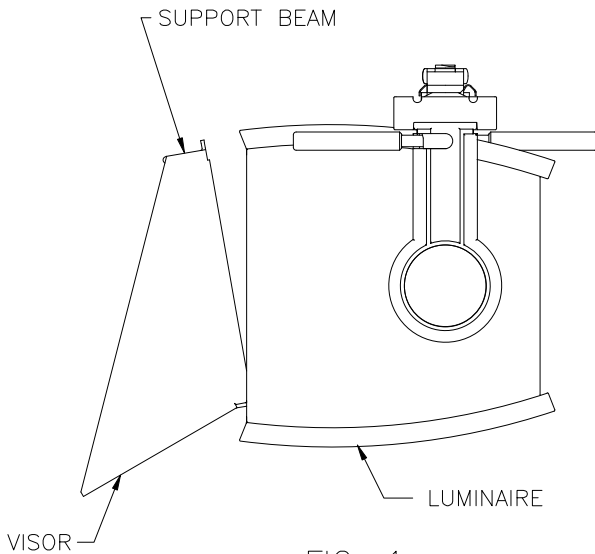


FIG. 1

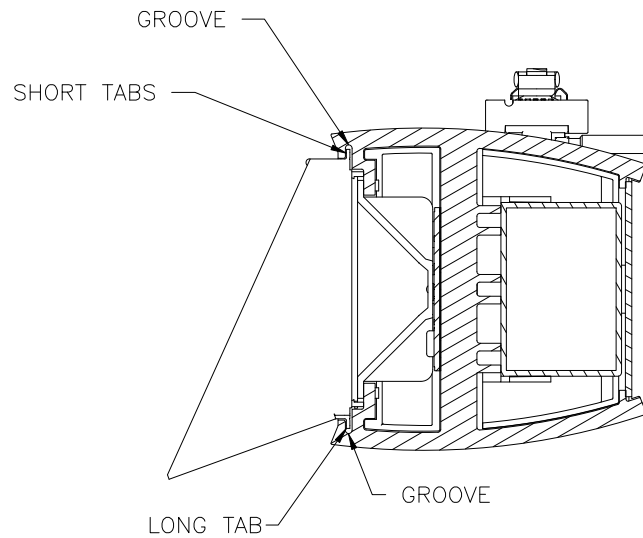


FIG. 2

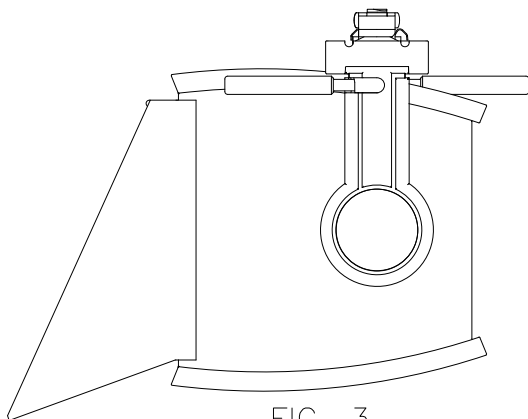


FIG. 3

FINAL POSITION OF VISOR

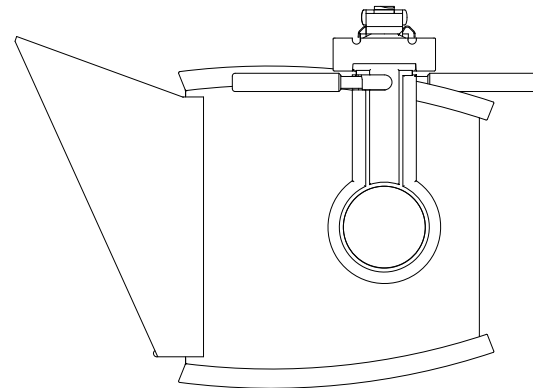


FIG. 4

VISOR MAY ALSO BE INSTALLED IN THIS ORIENTATION