

INSTALLATION INSTRUCTIONS

CAUTION: THE INSTALLATION AND SERVICING OF THIS PRODUCT SHOULD BE PERFORMED BY A QUALIFIED ELECTRICIAN OR SERVICE PERSONNEL

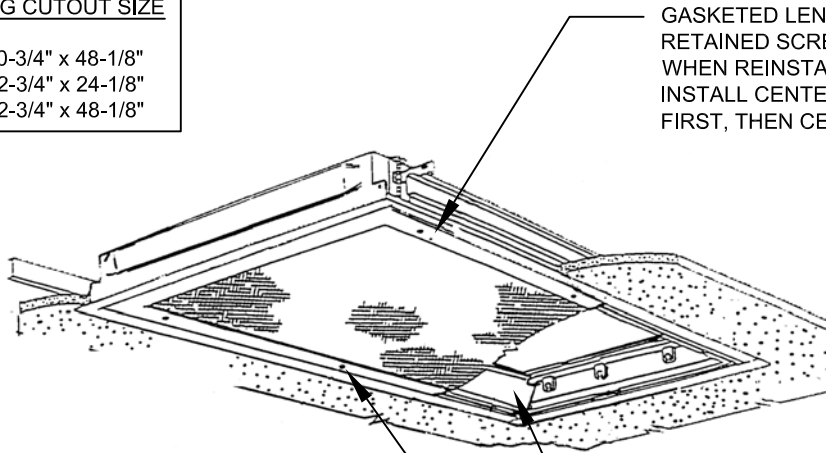
KLEENSEAL KTR-100 FLANGE TYPE TROFFER

ATTENTION : L'INSTALLATION ET L'ENTRETIEN DE CE PRODUIT DOIVENT ÊTRE EFFECTUÉS PAR UN ÉLECTRICIEN OU UN MEMBRE DU PERSONNEL QUALIFIÉ.

DESIGNED TO BE INSTALLED IN CEILING OPENING AND SUPPORTED BY THE INTEGRAL SWING MOUNTING BRACKETS.

OPENING CUTOUT SIZE

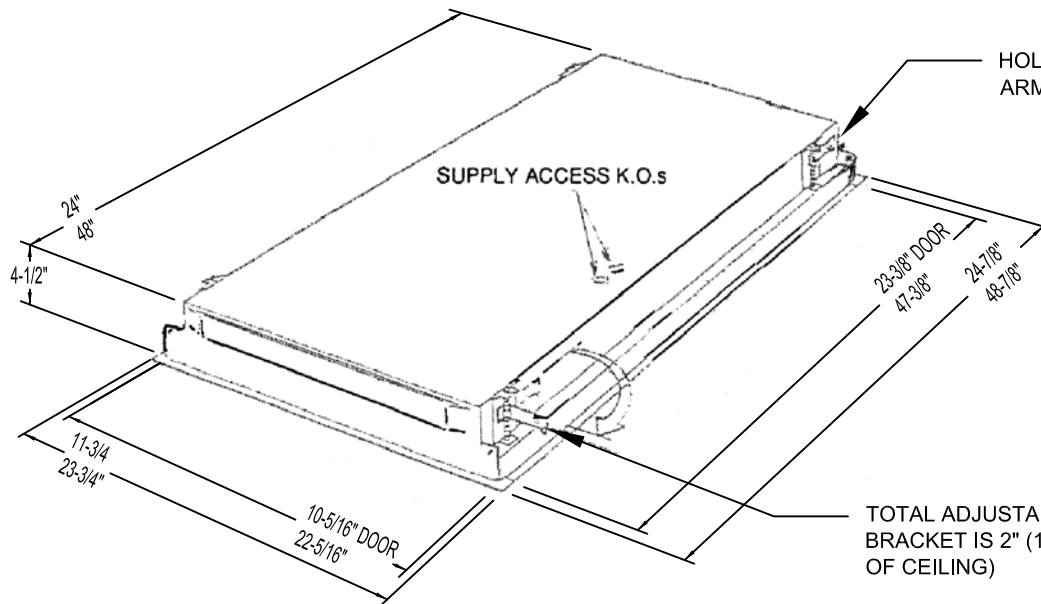
1x4 10-3/4" x 48-1/8"
2x2 22-3/4" x 24-1/8"
2x4 22-3/4" x 48-1/8"



GASKETED LENS FRAME SECURED BY RETAINED SCREWS.
WHEN REINSTALLING THE FRAME, LOOSELY INSTALL CENTER SCREWS (OPPOSITE CHAINS) FIRST, THEN CENTER SCREWS BETWEEN CHAINS.

WHEN REMOVING SCREWS, HOLD LENS FRAME UP UNTIL ALL SCREWS ARE REMOVED. FRAME CAN THEN HANG ON SUPPORT CABLES. DO NOT REMOVE SCREWS ON ONE SIDE ONLY AND ALLOW FRAME HANG OPEN. THIS WOULD CAUSE THE FRAME TO TWIST AND STRESS.

BALLAST/WIREWAY COVER IS HELD IN PLACE WITH A STUD & NUT.
TO REMOVE: REMOVE NUT, DROP COVER DOWN, PULL LOWER EDGE TOWARD CENTER UNTIL IT CLEARS THE HOUSING LIP.



HOLES PROVIDED IN SWING ARMS FOR SEISMIC SUPPORT.

USE SEISMIC SUPPORT HOLES PROVIDED TO SUPPORT FIXTURE FROM STRUCTURE BY MEANS SPECIFIED.

TOTAL ADJUSTABILITY OF SWING MOUNTING BRACKET IS 2" (1-1/2" TO 3-1/2" FROM FACE OF CEILING)

IF BUILDING SUPPLY WIRES OR POWER CORD ARE LOCATED WITHIN 3 INCHES OF THE BALLAST, USE WIRES SUITABLE FOR AT LEAST 90°C.

CAUTION: Electrical luminaires are designed for permanent installation in ordinary (Non-Hazardous) locations in accordance with the National Electrical Code and all applicable local codes. Do not use in areas of limited ventilation or in high ambient enclosures. The lamp and luminaire operate at high temperatures, contact with combustible materials can cause fire and personal contact can cause severe burns.

ATTENTION: Ce luminaire a été conçu pour une installation permanente dans un emplacement régulier (non dangereux) et en conformité avec le Code électrique canadien et codes locaux applicables. Ne jamais installer dans un endroit où la ventilation est limitée ou dans des boîtiers où la température ambiante est très élevée. La lampe et le luminaire fonctionnent à des températures élevées, un contact avec des matériaux combustibles peut engendrer un incendie et un contact corporel peut causer de sévères brûlures.

Day-Brite
CFI

Signify North America Corporation
200 Franklin Square Drive
Somerset, NJ 08873, USA
Phone: 855-486-2216
www.day-brite.com

Signify Canada Ltd./Signify Canada Ltée.
281 Hillmount Road
Markham ON, Canada L6C 2S3
Phone: 800-668-9008
www.cfi-lighting.com

443580008322
JULY, 2018