

Read and understand these instructions before installing luminaire (fixture).

This luminaire is intended for installation in accordance with the National Electrical Code and local regulations. To assure full compliance with local codes and regulations, check with your local electrical inspector before installation. To prevent electrical shock, turn off electricity at fuse box before proceeding. Allow fixture to cool before handling.

Retain these instructions for maintenance reference.

**INSTRUCTIONS FOR INSTALLING AND OPERATING LLABO_H SERIES HALO TRACK LED LUMINAIRES.
FOR USE WITH 120V MODEL "L" SERIES MANUFACTURED BY HALO**

Halo is a registered trademark of Cooper Technologies Company.

- Compatible with ceiling, wall and suspended mounted track.
 - Compatible with certain types of dimmers. See specification sheet LLAB0 for compatible dimmers.
 - Compatible with AL4HC hex cell louver, ADF4 series, and AF4 series lenses, 23SNT6 Snoot; when used with Accessory holder 8595. Sold separately.
- Note: Using color lens will project color light on ceiling.
- CAUTION: HOT SURFACE. Keep away from curtains and any other combustible materials.
 - CAUTION: Turn power off and allow fixture to cool before handling.
 - CAUTION: No consumer serviceable parts. Contact factory if service is required.
 - CAUTION: For use in dry locations only.

INSTRUCTIONS FOR ATTACHING LUMINAIRE TO TRACK.

1. Turn off power to TRACK.
2. If using two circuit track (FIG. 5) position MOVABLE contact to desired position. Raise contact for upper circuit using a flat blade screwdriver until contact stops against plastic. Leave contact in lower position for lower circuit of two circuit track and for installation in single circuit track (FIG. 4).
3. Orient ADAPTER with TRACK as shown in FIG.2.
4. Push ADAPTER into TRACK.
5. Rotate ADAPTER (2) CONTACTS in direction of GROOVE until ADAPTER SLEEVE snaps into track. FIG.3.
6. To remove fixture: Pull down ADAPTER SLEEVE and rotate adapter until removed from track.

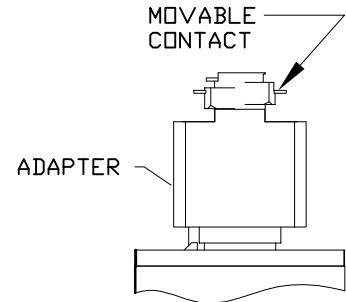


FIG. 1

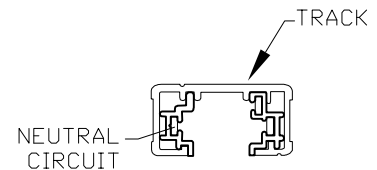


FIG. 4
HALO TRACK

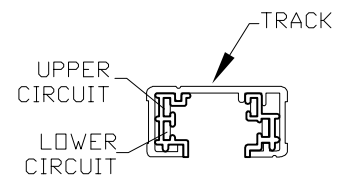


FIG. 5
HALO TRACK
(2 CIRCUIT)

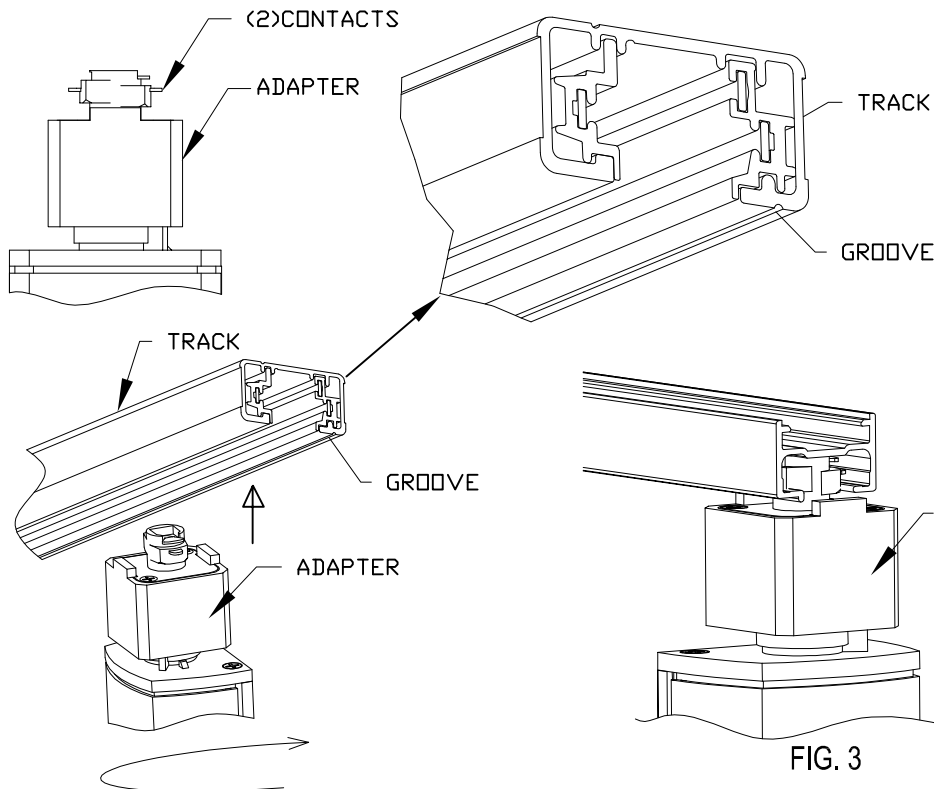
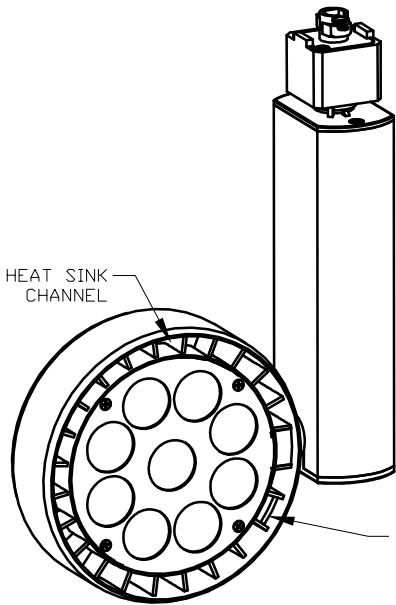


FIG. 2

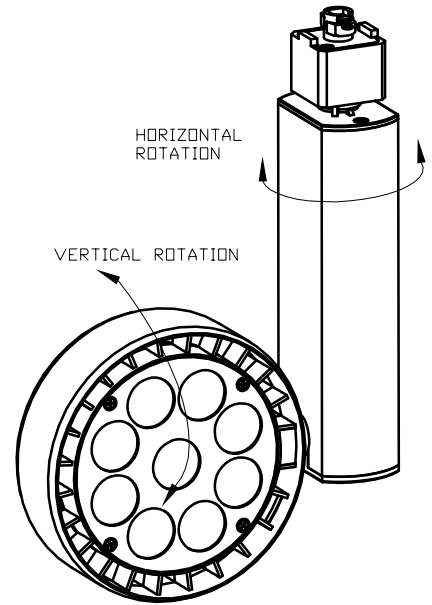
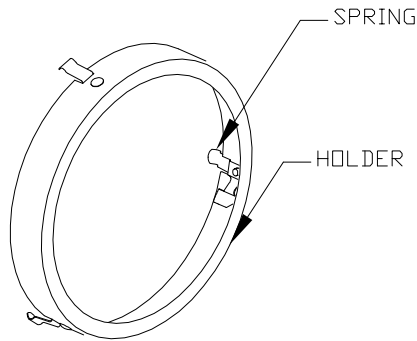
FIG. 3

631 Airport Road, Fall River, MA 02720 • (508) 679-8131 • Fax (508) 674-4710
We reserve the right to change details of design, materials and finish.
www.lightolier.com © 2008 Philips Group • B0112



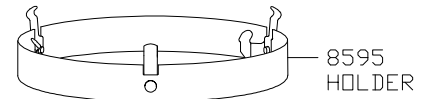
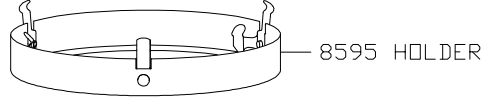
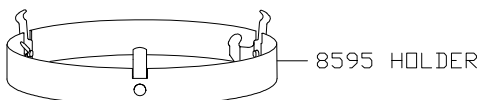
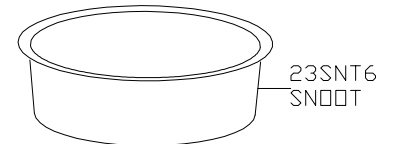
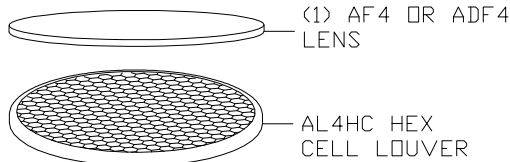
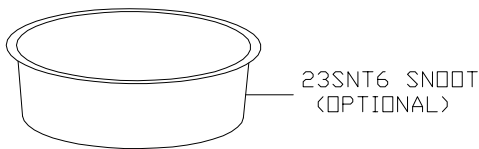
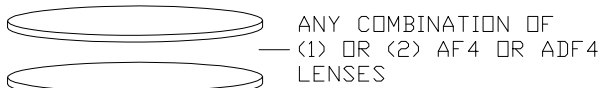
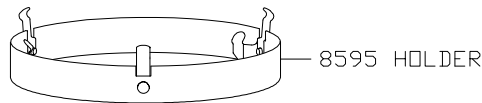
INSTALLING HOLDER
 LINE-UP SPRINGS OR HOLDER WITH GROOVE AND PUSH ACCESSORY HOLDER UNTIL SPRINGS SNAP INTO GROOVES.

CAUTION:
DO NOT INSTALL HOLDER SPRINGS IN HEAT SINK CHANNEL WITHOUT GROOVE. HOLDER SPRINGS NEED TO SNAP INTO GROOVES.



ROTATE IN DIRECTIONS SHOWN. HORIZONTAL AND VERTICAL ROTATION HAVE MECHANICAL STOPS. DO NOT FORCE PAST STOPS.

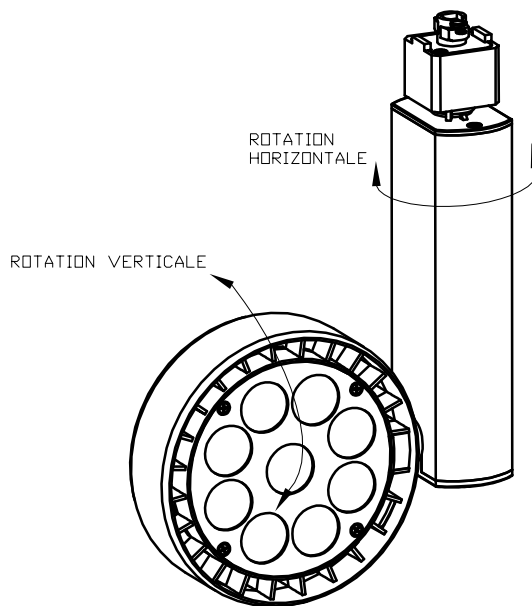
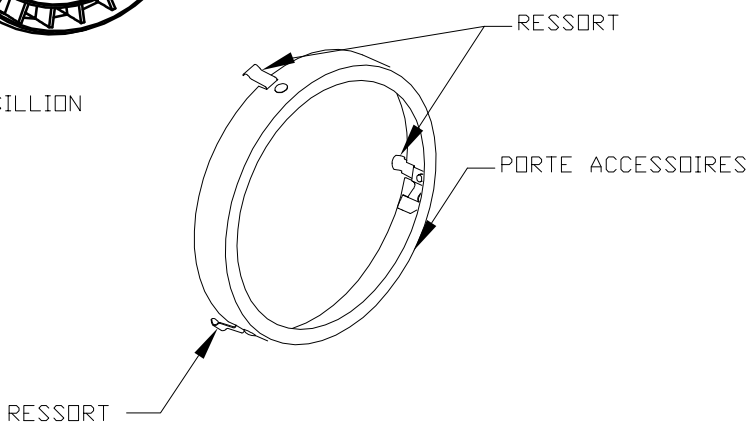
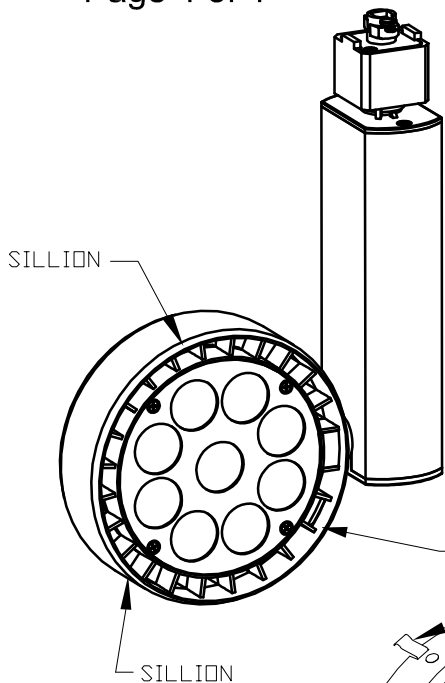
ACCESSORY HOLDER 8595 COMPATIBILITY USE



631 Airport Road, Fall River, MA 02720 • (508) 679-8131 • Fax (508) 674-4710
 We reserve the right to change details of design, materials and finish.
 www.lightolier.com © 2008 Philips Group • B0112

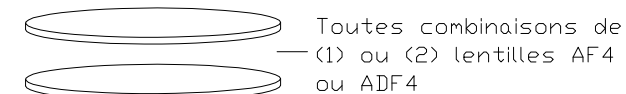
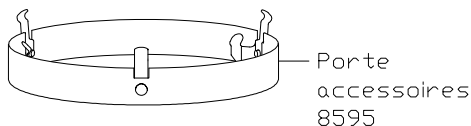
MISE EN GARDE:

Installation du porte accessoires
Aligner les ressorts du porte accessoires avec les sillons et pousser le porte accessoires jusqu'à ce qu'il s'enclenche en place.

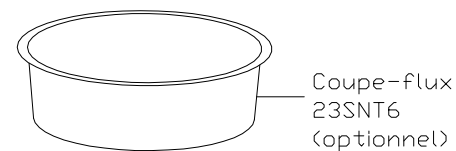


Tourner comme illustre. La rotation horizontale et verticale ont des arrêts mécaniques. Ne pas forcer une fois le cran d'arrêt atteint.

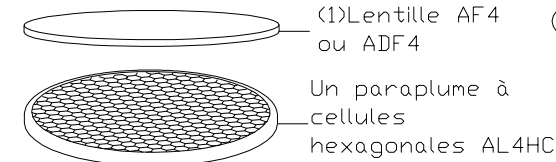
LES COMPATIBILITÉS DU PORTE ACCESSOIRES 8595



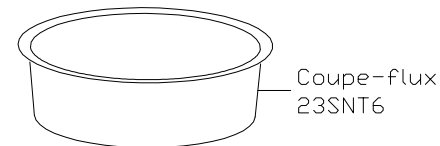
Toutes combinaisons de (1) ou (2) lentilles AF4 ou ADF4



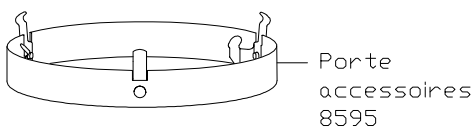
Coupe-flux 23SNT6 (optionnel)



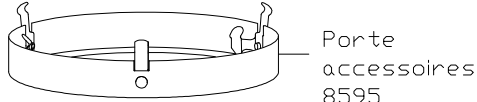
(1) Lentille AF4 ou ADF4
Un parapluie à cellules hexagonales AL4HC



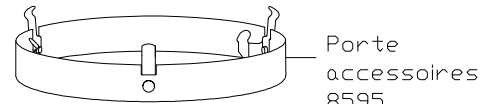
Coupe-flux 23SNT6



Porte accessoires 8595



Porte accessoires 8595



Porte accessoires 8595