

Instruction Sheet Number **IS:FXT4F**

Page 1 of 1

For Assembly and Installation of FXT4F LUMINAIRE

Read and understand these instructions before installing luminaire.

This luminaire is intended for installation in accordance with the National Electrical Code and local regulations. To assure full compliance with local codes and regulations, check with your local electrical inspector before installation. To prevent electrical shock, turn off electricity at fuse box before proceeding.

Retain these instructions for maintenance reference.

INSTRUCTIONS FOR ATTACHING A TANGENT™ LUMINAIRE TO THE TANGENT TRACK SYSTEM AND ACCESSORIES.

CAUTION: HOT SURFACE. Keep away from curtains and any other combustables.

CAUTION: RISK OF BURN. Allow time for luminaire to cool before touching track head for relamping or positioning.

1. Turn power off to TRACK.
2. Turn PIN on ADAPTER counter-clockwise until ADAPTER is fully open. (fig. 1)
3. Place open luminaire ADAPTER on the TRACK with the DIMPLES (fig. 3) and PIN facing same direction.
4. As LUMINAIRE is in place on the TRACK tighten pin by turning it clockwise. (fig. 2)
5. TO REMOVE turn PIN counter-clockwise until fully retracted then pull luminaire down.

NOTE: DO NOT install luminaire with transformer cover underneath connectors. (fig. 4)

INSTRUCTIONS FOR LAMPING FXT4F LOW VOLTAGE TANGENT LUMINAIRE.

1. Turn power off to TRACK.
2. Remove GLASS HOLDER FRAME and retain by depressing and pulling on SPRING as shown. (fig. 3)
3. Install LAMP (50W MAX. 12V T4 2-pin-GY6.35 BASE. CLEAR with horizontal filament) into the socket by inserting the LAMP PINS into the SOCKET HOLES as far as they will go. PINS will be exposed approximately 1/8" outside of the socket when fully inserted. No polarity of pins required. (See fig. 4)
4. Reassemble GLASS HOLDER FRAME by inserting TAB into SLOT and rotating until spring snaps tight and is secure in housing. (See fig. 5 & 6)

NOTE: According to manufacturer's instructions, the lamp should not be touched with bare hands. Hold with a cloth or paper when installing. If touched, clean with cloth before lighting.

INSTRUCTIONS FOR POSITIONING LOW VOLTAGE TANGENT LUMINAIRES.

1. Turn power off to TRACK.
 2. Rotate housing horizontally and vertically as shown in fig. 5
- NOTE: Luminaire rotate infinite horizontally and 90° vertically. Forcing past vertical rotation stop could permanently damage luminaire. Do not apply excessive force to stem.

DIMMING: Use dimmers specified for Low Voltage Electronic Transformers. Low Voltage fixtures may produce audible sound when dimmed.

CAUTION: USE ONLY LAMP WATTAGE AND TYPE AS MARKED ON LUMINAIRE.

FIG. 1 OPEN POSITION

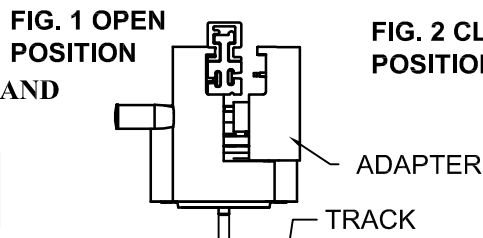


FIG. 2 CLOSED POSITION

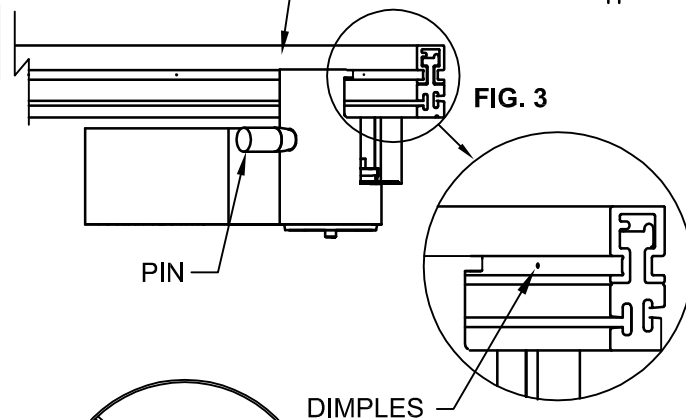
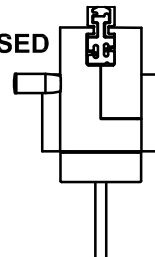
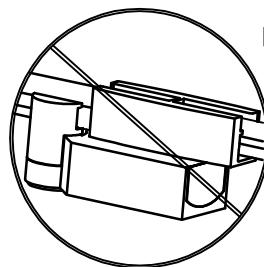


FIG. 3



DIMPLES

FIG. 4 DO NOT POSITION

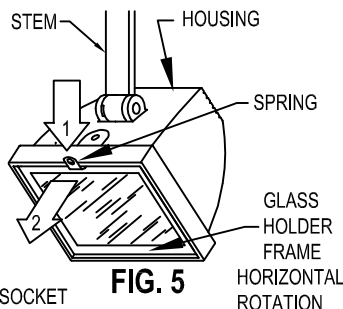


FIG. 5

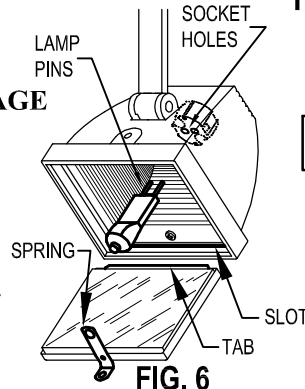


FIG. 6

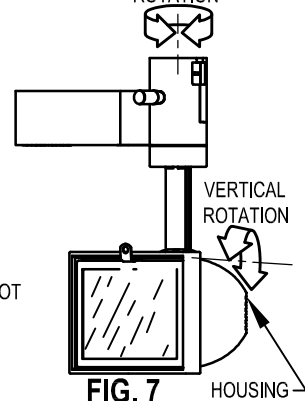


FIG. 7

Lightolier a Genlyte Company www.lightolier.com
631 Airport Road, Fall River, Ma 02720 (508) 679-8131 Fax (508) 674-4710
We reserve the right to change details of design, materials and finish.
© 2007 Genlyte Group LLC A0307

LIGHTOLIER®