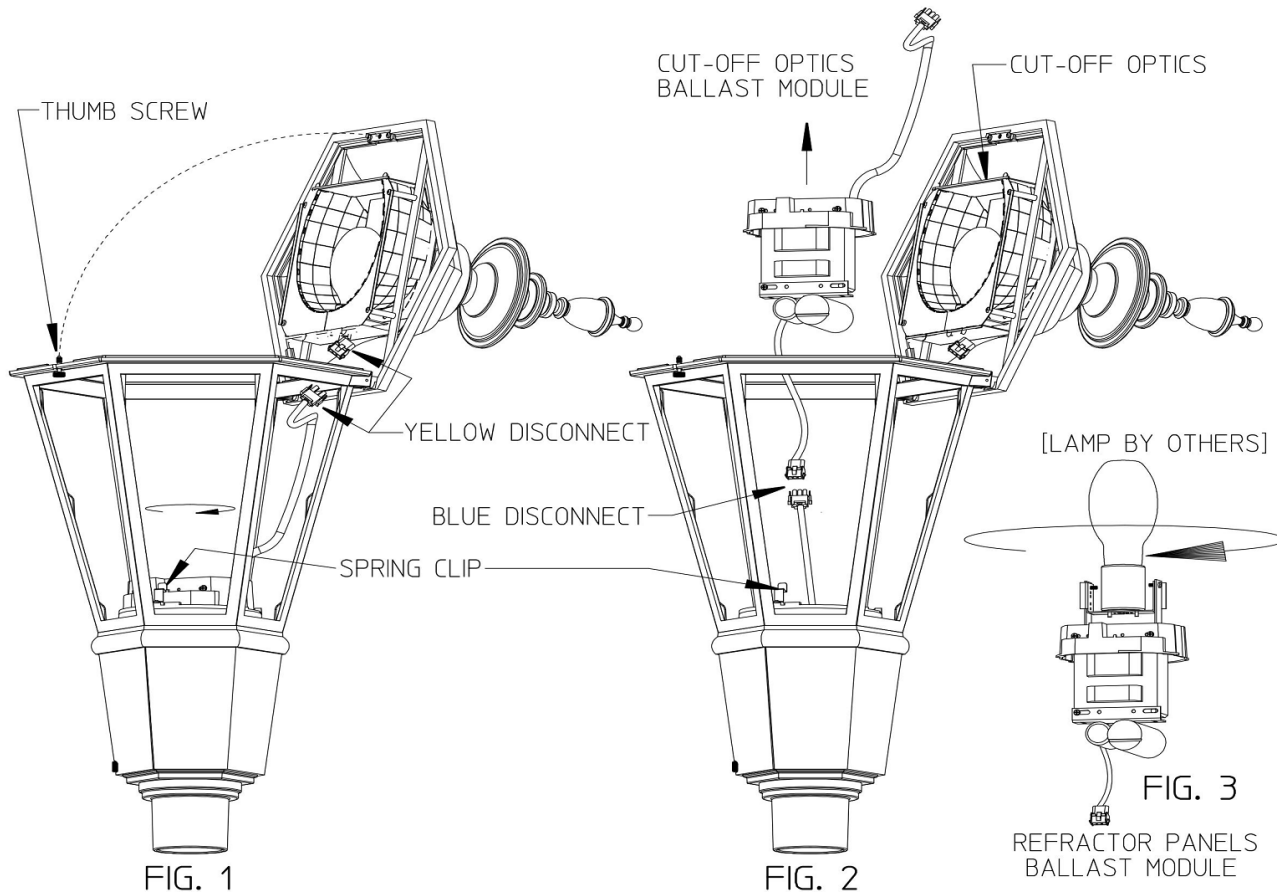


INSTALLATION INSTRUCTIONS: V600/V602 SERIES FIXTURES



READ THESE INSTRUCTIONS CAREFULLY BEFORE INSTALLING THIS FIXTURE.

This fixture is intended for installation in accordance with the National Electrical Code and local code specifications. Failure to adhere to these codes and instructions may result in serious injury and/or damage to the ballast and void the warranty. These instructions do not purport to cover all details or variations in equipment, nor to provide for every possible contingency related to installation, operation, maintenance, or mounting situation. Should specific problems occur that are not addressed by these instructions, contact HADCO for assistance. Retain these instructions for future reference.

CAUTION

1. The electrical power must be disconnected from the fixture and pole before installing, servicing, or relamping the fixture.
2. These directions must be read carefully and adhered to. Failure to do so may result in injury, damage to the fixture, and voiding the warranty.



This fixture is intended for installation in accordance with the National Electrical Code and local code specifications. Failure to adhere to these codes and instructions may result in serious injury and/or damage to the ballast and void the warranty. These instructions do not purport to cover all details or variations in equipment, nor to provide for every possible contingency related to installation, operation, maintenance, or mounting situation. Should specific problems occur that are not addressed by these instructions, contact your Sales Representative or distributor for assistance. Retain these instructions for future reference.

TOOLS REQUIRED FOR INSTALLATION

1. 5/32" allen wrench
2. Screw Driver [#8-10, slotted type]
3. Screw Driver [phillips type]
4. Wire connectors for appropriate wire

INSTALLATION

WARNING - The power **MUST** be turned off prior to proceeding. Read these instructions carefully. If any problems are encountered that are not covered in these instructions, contact HADCO for assistance.

STEP 1: OPEN ROOF

- 1.1 Loosen the thumb screw that secures the hinged roof [see FIG. 1 on page 1].
- 1.2 Swing roof open to access ballast module.

STEP 2: WIRING

- 2.1 Push the spring clip away from the ballast cover with the thumb and rotate the ballast cover counter-clockwise until it stops [see FIG. 1 on page 1].
* For fixtures with cut-off optics, disconnect the yellow quick-connects.
- 2.2 Lift the ballast cover away from the fixture and disconnect the blue quick-connects [see FIG. 2 on page 1].
- 2.3 Fish incoming supply wire through post fitter and factory supplied cable tie.
- 2.4 Loosen the (2) phillips screws and rotate the terminal block bracket in order to remove it from the housing [see FIG.4 on page 3].
- 2.5 If using wire nuts, connect incoming power supply wires to the fixture supply wires or if wiring directly to the terminal block, remove factory supply wires from the terminal block.
>First, verify that the voltage-lead coming from the ballast is the same as the incoming voltage.
>Then proceed to connect the common supply in line with common, the ground supply in line with the ground, and the supply voltage in line with the voltage.
- 2.7 Replace the terminal block back in place and secure with phillips screws.
- 2.8 Remove tension on the incoming supply wires between terminal block and cable tie by using factory installed cable tie.
- 2.9 Replace the ballast cover and ballast by reversing steps 2.1 and 2.2.
* Verify that the spring clip snaps back into place and secures the ballast cover to the fixture.

STEP 3: MOUNTING

- 3.1 Mount the housing onto a 3" diameter post shaft or tenon.
- 3.2 Use the post fitter's 5/16-18 set screws, supplied in the fixture, to secure the housing to the post shaft or tenon.

STEP 4: LAMPING

- 4.1 Install the correct lamp based upon the lamp label next to the socket.
- 4.2 Clean installed lamp of all dirt and body oils.
- 4.3 Type III House-side Shield ONLY.
* Rotate the reflector assembly around the socket to the correct orientation.
** Note: the reflector is the house side.

STEP 5: Close roof and secure with thumb-screw.

STEP 6: Connect power and test the fixture for proper operation.

STEP 7: After the installation is complete, deliver this manual to the owner.

LAMP REPLACEMENT

NOTE: It is a good idea to clean the fixture each time you relamp. Avoid using harsh solvents or abrasives.

- STEP 1: Loosen the thumb screw that secures the hinged roof. Open roof [see Fig. 1 on page 1].
- STEP 2: Remove the old lamp and dispose of it in accordance with local codes and regulations.
- STEP 3: Install a new lamp, referring to the lamp label next to the socket to ensure using the correct type.
- STEP 4: Clean installed lamp of all dirt and body oils.
- STEP 5: Close the roof and tighten the thumb screw.

BALLAST REPLACEMENT

- STEP 1: Loosen the thumb screw that secures the hinged roof. Open roof [see Fig. 1 on page 1].
- STEP 2: CUT-OFF OPTICS:
 - * Disconnect yellow quick-connect between reflector and wireway [see Fig. 1 on page 1].
- REFRACTOR PANEL OPTICS:
 - * Remove lamp [see Fig. 3 on page 1].
- STEP 3: REMOVE BALLAST COVER & BALLAST
 - * Push the spring clip away from the ballast cover with thumb and rotate the ballast cover counter-clockwise until it stops [see Fig. 1 on page 1].
 - * Lift the ballast cover away from the fixture and disconnect the blue quick-connect [see Fig.2 on page 1].
- STEP 4: Check and make sure that the lamp type and wattage correspond to the NEW ballast type and wattage.
- STEP 5: Check the New ballast module for proper voltage.
- STEP 6: Install new ballast module by reversing STEP 3.
 - * Verify that the spring clip snaps back into place and secures the ballast cover to the fixture.
 - * Clean lamp of all dirt and body oils.
- STEP 7: Replace all of the remaining removed parts by reversing instructions from above.

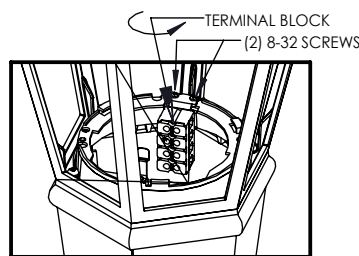


FIGURE 4

DISCLAIMER

While we believe these instructions to be accurate at the time of publication, HADCO reserves the right to make changes to this fixture and/or components. The contractor should follow local and National Electrical Codes where required. For any further information please contact HADCO customer service.

REPLACEMENT BALLAST ASSEMBLIES (includes twist-lock ballast cover)

REPLACEMENT HPS BALLASTS
(for fixtures with cut-off optics)

ORDERING NUMBER	DESCRIPTION
V2760W-(*)D70S(**)	70W HPS, MED BASE
V2760W-(*)D100S(**)	100W HPS, MED BASE
V2760W-(*)D150S(**)	150W HPS, MED BASE

REPLACEMENT MH BALLASTS
(for fixtures with cut-off optics)

ORDERING NUMBER	DESCRIPTION
V2760W-(*)D70H(**)	70W MH, MED BASE
V2760W-(*)D100H(**)	100W MH, MED BASE
V2760W-(*)D150H(**)	150W MH, MED BASE
V2760W-(*)D175H(**)	175W MH, MED BASE

REPLACEMENT HPS BALLASTS
(for fixtures with refractive panels,
includes socket assembly)

ORDERING NUMBER	DESCRIPTION
V2760A-(*)D70S(**)	70W HPS, MED BASE
V2760A-(*)G70S(**)	70W HPS, MOG BASE
V2760A-(*)D100S(**)	100W HPS, MED BASE
V2760A-(*)G100S(**)	100W HPS, MOG BASE
V2760A-(*)D150S(**)	150W HPS, MED BASE
V2760A-(*)G150S(**)	150W HPS, MOG BASE
V2760A-(*)G250S(**)	250W HPS, MOG BASE

REPLACEMENT MH BALLASTS
(for fixtures with refractive panels,
includes socket assembly)

ORDERING NUMBER	DESCRIPTION
V2760A-(*)D70H(**)	70W MH, MED BASE
V2760A-(*)G70H(**)	70W MH, MOG BASE
V2760A-(*)D100H(**)	100W MH, MED BASE
V2760A-(*)G100H(**)	100W MH, MOG BASE
V2760A-(*)D150H(**)	150W MH, MED BASE
V2760A-(*)G150H(**)	150W MH, MOG BASE
V2760A-(*)D175H(**)	175W MH, MED BASE
V2760A-(*)G175H(**)	175W MH, MOG BASE
V2760A-(*)G250H(**)	250W MH, MOG BASE

(*) = SPECIFY FINISH (A - BLACK, G - HANDRUBBED VERDE, J - GREEN)
(**) = SPECIFY VOLTAGE (E - 120V, F - 208V, G - 240V, H - 277V, K - 347V)

