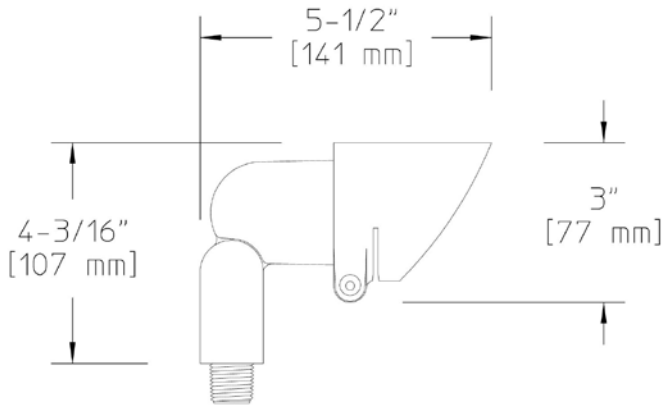


Project: \_\_\_\_\_  
 Location: \_\_\_\_\_  
 Cat.No: \_\_\_\_\_  
 Type: \_\_\_\_\_  
 Lamps: \_\_\_\_\_ Qty: \_\_\_\_\_  
 Notes: \_\_\_\_\_



### Ordering Guide

Example: BL616 A S7 LED7 NF W

<b>Product Code</b>	BL616	LED Aluminum Bullyte
<b>Finish</b>	A G H	Black Verde Bronze
<b>Mounting</b>	S7	Mounting Stake
<b>Source/Lumens</b>	LED7	7W LED
<b>Optics</b>	NF FL	Narrow Flood Flood
<b>CCT</b>	W	Warm

\*2 Fixture will be shipped with lamp. Lamp not sold separately.

### Specifications

#### HOUSING:

Die-cast marine grade aluminum alloy. Fully rotatable shroud, gasketed, die-cast marine grade aluminum alloy. Fully-adjustable swivel arm with vibration-proof locking teeth. 1/2" NPS male threads to screw onto accessory mounting stake or junction box, sold separately. Fasteners are 300 series stainless steel.

#### FINISH:

Thermoset polyester powdercoat is electrostatically applied after a five-stage conversion cleaning process and bonded by heat fusion thermosetting.

#### OPTICAL ASSEMBLY:

Clear tempered glass lens.

#### LAMPING:

7W lamp with 25° or 35° beam spread, 25,000 hours life. Color temperature (CCT): Warm White (3,000K nominal). No Mercury. Dimmable. Approximately 460 lumens.

#### ELECTRICAL ASSEMBLY:

Bi-pin socket type (GU5.3) with 250° C high temperature teflon coated wire leads. 12 Volt fixture is pre-wired with 3-ft pigtail of 18-2 AWG, 105° C, SPT-1W wire. Low voltage quick connector, catalog #LVC3 included for easy hook-up to the low voltage supply cable, not included. 12 Volt system requires remote transformer, not included.

#### WARRANTY:

Five-year limited warranty.

#### CERTIFICATIONS:

ETL listed to U.S. safety standards for wet locations. cETL listed to Canadian safety standards for wet locations. Manufactured to ISO 9001:2008 Standards.

**Width:** 3" (77mm)      **Length:** 5 1/2" (141mm)      **Max. Weight:** 1.04 lb

