

Project: \_\_\_\_\_

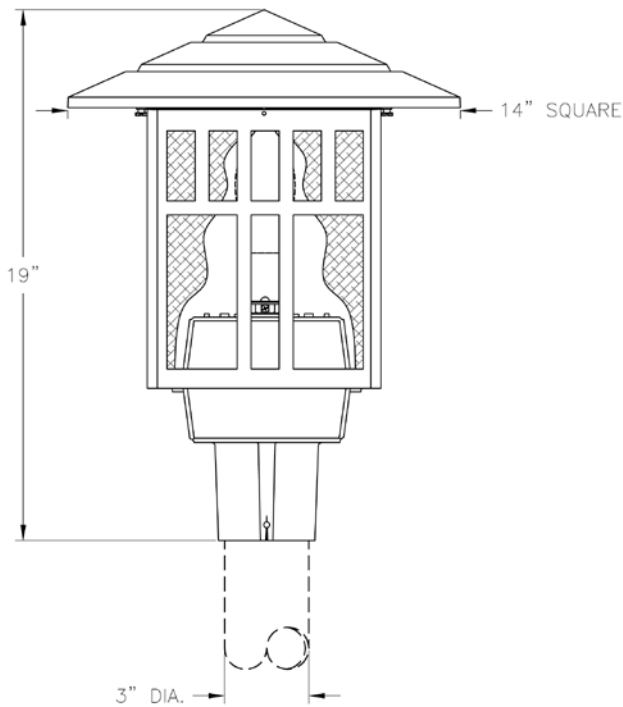
Location: \_\_\_\_\_

Cat.No: \_\_\_\_\_

Type: \_\_\_\_\_

Lamps: \_\_\_\_\_ Qty: \_\_\_\_\_

Notes: \_\_\_\_\_



### Ordering Guide

Example: 28532 ABS A D 50H E A B D

Product Code	28532	Indian Wells
<b>Finish</b>	ABS ACP ARD ASI BLK BRN BRZ FGN GRA IRN RBZ SRT VBZ VCP VGN VTC WBZ WHT	Antique Brass Antique Copper Antique Red Antique Silver Black Brown Bronze Forest Green Granite Ironstone Rustic Bronze Shadow Rust Verde Bronze Verde Copper Verde Vintage Copper Weathered Bronze White
<b>Panel/Globe</b>	A B C D E M P Q	Clear Acrylic Opal Acrylic Clear Seeded Acrylic Bronze Tone Acrylic Clear Textured Acrylic Opal Polycarbonate Clear Polycarbonate Prismatic Polycarbonate
<b>Socket</b>	D L	Medium LED
<b>Wattage/Source</b>	50H 70H 100H 35S 50S 70S 100S 100I LED	50W MH 70W MH 100W MH 35W HPS 50W HPS 70W HPS 100W HPS 100W INC. LED
<b>Voltage</b>	E F G H	120V 208V 240V 277V
<b>Distribution</b>	A C D E N	4" Type V Distribution 6" Type III Distrib. 8" Type V Distrib. 8" Type II Distrib. None

# 28532 Indian Wells

## Post top

### Ordering Guide

Example: 28532 ABS A D 50H E A B D

<b>Photoeye</b>	B N	Button Eye None	*1
<b>Cage</b>	D T	Decorative Traditional (open)	

\*1 Button Eye (B) only available in 120V (E).

### Specifications

#### CONSTRUCTION:

Cast aluminum square roof. Six-piece cast aluminum square cage welded together to form a one-piece unit. Top cast aluminum moisture proof ballast housing welded to cage. Bottom cast aluminum moisture proof ballast housing with post fitter. Fitter slips over 3" O.D. post or tenon.

#### FINISH:

Resilient TGIC thermoset polyester powdercoat paint is electrostatically applied to every fixture. Specially formulated for Philips Outdoor Lighting, it provides UV protection, and the highest temperature rating in the industry. In addition to the standard color choices shown, a spectrum of custom colors is available.

#### PANELS/LENS/GLOBE:

See lenses for available options.

#### LAMPING:

Lamp is not included.

#### ELECTRICAL ASSEMBLY:

Lantern will be prewired and tested. All electrical components are ETL listed.

#### BALLAST:

Two-piece moisture proof cast aluminum ballast housing with ballast and component parts mounted inside. (Customer must specify desired type of ballast.)

#### MOUNTING:

Fixture mounts to 3" dia. post or tenon.

#### WARRANTY:

Three-year limited warranty.

#### CERTIFICATIONS:

ETL Listed to U.S. safety standards for wet locations. cETL Listed to Canadian safety standards for wet locations.

#### Height:

19"

#### Width:

14"

#### Fitter:

3" I.D.

#### EPA:

0.82

#### Max. Weight:

44 lbs.

