

Day-Brite CFI

by  Signify

Healthcare

RelaxView LED Ambient
Recessed Downlight

3500K or 4200K



Project: _____
 Location: _____
 Cat.No: _____
 Type: _____
 Lamps: _____ Qty: _____
 Notes: _____

Day-Brite / CFI RelaxView LED Ambient Recessed Downlights are the perfect compliment to the RelaxView LED Ambient Ceiling Illuminators. They are ideal for the Healthcare imaging environment where non-ferrous construction and EMI control are imperative. A relaxing environment is provided by clean aesthetics and soft uniform light appearance, helping patients feel more comfortable, calm, and at ease during imaging experiences.

Ordering guide

example: RVAD6G-42-SWH

| Model Number | LED Color Temp. | Finish |
|-----------------------------------|-----------------|------------------------------------|
| — | — | — |
| RVAD6G 6" Downlight Grid | 35 3500K | SWH Soft white |
| RVAD6F 6" Downlight Flange | 42 4200K | CC¹ Custom color |

Footnotes:

¹ Customer to provide color chip to match.



RVAD Relaxview Ambient Recessed Downlight

3500K or 4200K

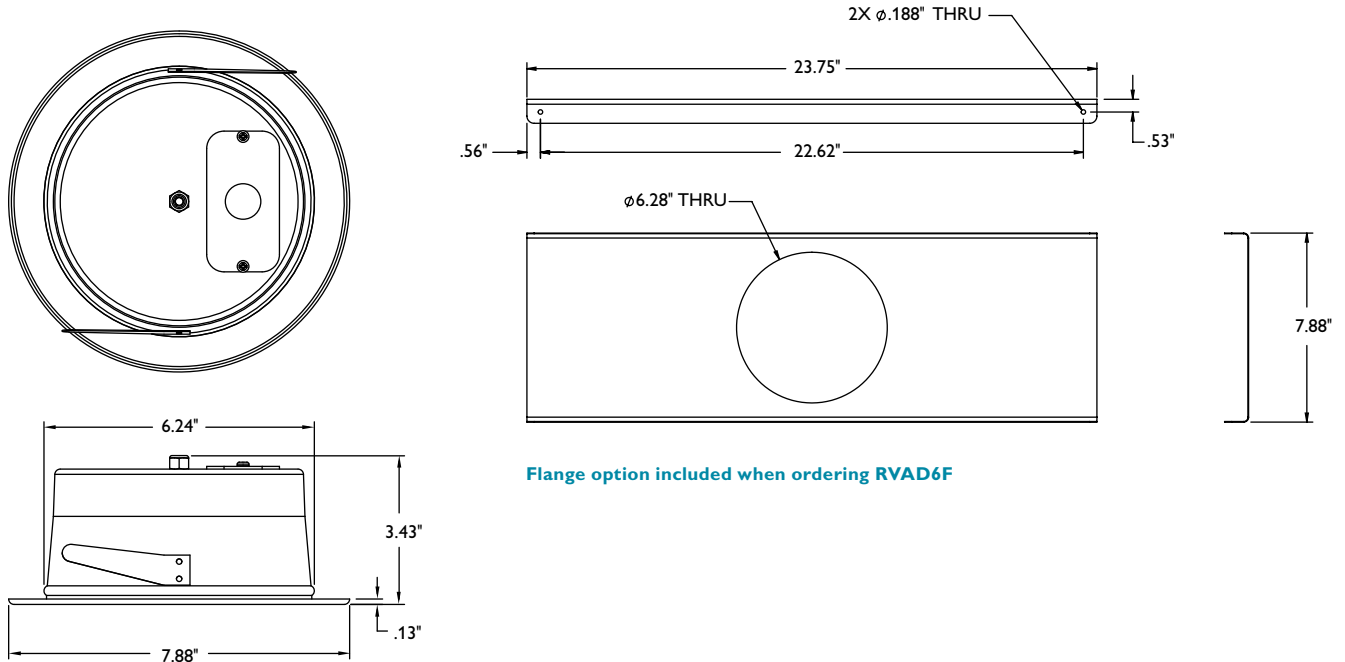
Features

- Easy installation and requires minimal maintenance.
- Long life LED source.
- Available in neutral white (3500K or 4200K).
- Available for grid or flange ceiling installations.
- Agion® antimicrobial finish.
- Class 1 low voltage installation.
- Dimming option available on RelaxView Power Distribution Module PDM.
- On/Off and 5 level dimming control available with addition of RelaxView Intelligent Wall Dimmer IWD.

Specifications

- **Construction:** Non-ferrous construction. Spun aluminum housing with a 1/8" translucent white PMMA acrylic lens and aluminum trim ring.
- **Finish:** The housing has a polyester powder-coat paint finish with an Agion® antimicrobial finish.
- **Light Source:** LED source for lower power consumption and uniformity, attached to heat-sink for maximum performance and reliability. The LED source is available in 3500K or 4200K white.
- **Electrical:** RelaxView is powered by remote Class 1 low voltage power distribution module(s) (sold separately). Dimming is available. The RelaxView panels do not include a DC power supply. Remote modular Power Distribution Module PDM needed with or without dimmer.
- **Installation:** Easy installation into standard grid or hard ceilings.
- **Listing:** Components are CE or ETL listed and RoHS compliant.
- **Warranty:** Fixture warranted against defects for 5 years from original date of purchase.

Dimensions



Flange option included when ordering RVAD6F

Electrical Data

| Model | RVAD6 |
|---------------|-------|
| Power (Watts) | 9.6 |

RVAD Relaxview Ambient Recessed Downlight

3500K or 4200K

Photometrics

RelaxView RVAD 6" Downlight

LER – 52

| Catalog No. RVAD6-42 | | Candlepower | | | Light Distribution | | | Average Luminance | |
|----------------------|-------|-------------|---------|--------|--------------------|--------|-------------|-------------------|--------------|
| Test No. | 32124 | Angle | Mean CP | Lumens | Degrees | Lumens | % Luminaire | Angle | Mean CD/SQ M |
| S/MH | 1.3 | 0 | 230 | | 0-30 | 178 | 28.19 | 45 | 12715 |
| Lamp Type | LED | 5 | 229 | 22 | 0-40 | 291 | 45.97 | 55 | 12078 |
| Lumens/Lamp | 634 | 10 | 226 | | 0-60 | 510 | 80.52 | 65 | 10917 |
| Input Watts | 12.2 | 15 | 221 | 62 | 0-90 | 633 | 100.00 | 75 | 8622 |
| | | 20 | 214 | | | | | 85 | 3828 |
| | | 25 | 205 | 94 | | | | | |
| | | 30 | 193 | | | | | | |
| | | 35 | 180 | 113 | | | | | |
| | | 40 | 166 | | | | | | |
| | | 45 | 150 | 116 | | | | | |
| | | 50 | 134 | | | | | | |
| | | 55 | 116 | 103 | | | | | |
| | | 60 | 97 | | | | | | |
| | | 65 | 77 | 76 | | | | | |
| | | 70 | 57 | | | | | | |
| | | 75 | 37 | 39 | | | | | |
| | | 80 | 19 | | | | | | |
| | | 85 | 6 | 8 | | | | | |
| | | 90 | 0 | | | | | | |

| Coefficients of Utilization | | | | | | | | | |
|--|------|------|------|------|------|------|------|------|--|
| EFFECTIVE FLOOR CAVITY REFLECTANCE 20 PER (pfc=0.20) | | | | | | | | | |
| pcc | 80 | | | 70 | | | 50 | | |
| pw | 70 | 50 | 30 | 70 | 50 | 30 | 50 | 30 | |
| RCR | | | | | | | | | |
| 0 | 1.19 | 1.19 | 1.19 | 1.16 | 1.16 | 1.16 | 1.11 | 1.11 | |
| 1 | 1.10 | 1.06 | 1.02 | 1.07 | 1.04 | 1.00 | 0.99 | 0.96 | |
| 2 | 1.01 | 0.94 | 0.88 | 0.99 | 0.92 | 0.86 | 0.88 | 0.84 | |
| 3 | 0.92 | 0.83 | 0.75 | 0.90 | 0.81 | 0.74 | 0.79 | 0.73 | |
| 4 | 0.85 | 0.74 | 0.66 | 0.83 | 0.73 | 0.66 | 0.71 | 0.64 | |
| 5 | 0.79 | 0.67 | 0.58 | 0.76 | 0.65 | 0.57 | 0.63 | 0.56 | |
| 6 | 0.72 | 0.60 | 0.51 | 0.70 | 0.59 | 0.51 | 0.57 | 0.50 | |
| 7 | 0.66 | 0.53 | 0.45 | 0.65 | 0.53 | 0.45 | 0.51 | 0.44 | |
| 8 | 0.62 | 0.48 | 0.40 | 0.60 | 0.48 | 0.40 | 0.46 | 0.39 | |
| 9 | 0.57 | 0.44 | 0.36 | 0.56 | 0.43 | 0.36 | 0.42 | 0.35 | |
| 10 | 0.53 | 0.40 | 0.32 | 0.52 | 0.40 | 0.32 | 0.39 | 0.32 | |

Comparative yearly lighting energy cost per 1000 lumens – **\$4.62** based on 3000 hrs. and **\$.08** pwr KWH.

The photometric results were obtained in the Day-Brite laboratory which is NVLAP accredited by the National Institute of Standards and Technology.

Photometric values based on test performed in compliance with LM-79.

