

# CHLORIDE

by  Signify

## Exit/Emergency

DEB-7W

Emergency ballast



Project:	
Location:	
Cat.No:	
Type:	
Lamps:	Qty:
Notes:	

## Ordering Information

For retrofit field installation. Order catalog number **DEB-7W**.

For factory installed **DEB-7W** use a suffix number **-E7** with luminaire catalog number.

### Accessories (Order Separately)

**MCCAPS** – Wire Cover Kit for External Mounting

**PL-SP** – Single Pole Remote Test Switch

### codes and standards

- UL Listed in accordance with the standards set forth in UL924
- UL Listed for factory installation or field retrofit.
- NFPA 70 (National Electric Code)
- NFPA101 (Life Safety Code)
- UL listed for use in damp locations.

### application

- The DEB-7W is capable of operating at reduced illumination in the emergency mode one or two 17-215W (2'-8') T8, T10 fluorescent lamps without integral starters, including U-shaped, HO, VHO, circline and energy-saving, and 4-Pin long compacts, for a minimum of 90 minutes. It is also compatible with standard, energy saving, dimming and electronic AC ballasts. The DEB-7W is a dual voltage device rated for use on 120 or 277 volt 60-Hertz circuits. The appropriate line lead (black for 120v or orange for 277V) will be selected and the unused lead will be capped. Since the DEB-7W senses when power is lost, an unswitched power source must be provided to the luminaire. If used in an emergency only luminaire, no AC ballast is necessary.

### operation

- Normal lamp lumen output is provided by the lamp when DEB-7W is not in the emergency mode. When AC power fails, the DEB-7W automatically switches to the emergency mode, keeping one or two lamps illuminated at reduced output for a minimum of 90 minutes. When factory installed it will be wired for two lamp emergency operation when possible. When AC power is restored, the DEB-7W automatically returns to the charging mode and, using a patented circuit, delays AC ballast operation for approximately 3 seconds to prevent false tripping of the AC ballast end-of-lamp-life shutdown circuits.

### battery

- DEB-7W uses a high temperature nickel-cadmium battery. This battery requires no maintenance and has a life expectancy of 7 to 10 years. The suggested operating temperature range is 32°F (0°C) to 122°F (50°C).

### restrictions

- Suitable for indoor and damp locations and for sealed and gasketed fixtures including installation inside of fixtures rated for wet locations. It is not suitable for installation in wet locations, hazardous locations or for air handling air outlet applications.

### emergency illumination

- The DEB-7W produces a total of 600 to 700 lumens (depending on the type of lamp) initial emergency light output.

### installation

- The DEB-7W does not affect normal luminaire operation. It requires an unswitched source of power; therefore, in switched luminaires, an unswitched source of power must be provided (see wiring diagram). Installation is not recommended in luminaires where the ambient ballast channel temperature may fall below 0°C (32°F) for extended periods. Before installing the DEB-7W, make sure that the necessary branch circuit wiring is available. The DEB-7W requires an unswitched source of power and must be fed from the same branch circuit as the AC ballast; therefore, in switched luminaires the DEB-7W must be connected ahead of any local switching (see wiring diagram). Installation instructions (including internal wiring diagrams for retrofit installation) are supplied with each ballast. To prevent high voltage from being present on the DEB-7W output leads (red and yellow), do not join the battery connector until installation is complete and AC power is supplied to the DEB-7W.

### suggested specifications

- Emergency lighting shall be provided by using a standard fluorescent luminaire equipped with a DEB-7W emergency ballast. This emergency ballast shall consist of a high temperature maintenance-free nickel cadmium battery, charger and electronic circuitry contained in one 9.4" x 2.4" x 1.5" black metal case. A solid state charging indicator light to monitor the charger and battery. A single-pole test switch and installation hardware shall be provided. This emergency ballast, using a patented circuit, shall delay AC ballast operation for approximately 3 seconds to prevent false tripping of AC ballast end-of-lamp-life shutdown circuits. the emergency ballast shall be capable of operating one or two (2'-4') T8, T10 or T12 lamps, one 17-215W (2'-8') tubular lamp or one 4-pin long compact lamp at reduced illumination in the emergency mode for a minimum of 90 minutes. It shall be suitable for indoor and damp locations and for sealed & gasketed luminaires, including luminaires rated for wet locations. The DEB-7W shall have 3.5 Watts of input power and a 14.4 Watt hour battery capacity and shall comply with emergency standards set forth by the current NEC. The emergency ballast shall be UL Listed for installation inside, on top of or remote from the luminaire.

### electrical

- Dual input voltage 120/277
- Electrical rating – 3.5 Watts
- AC input current – 280 mA
- Recharge time – 24 hours
- Test switch provided
- Charging indicator light provided – LED
- Ballast case dimensions – 9.4"x2.4"x1.5"
- Weight – 2.5 lbs.

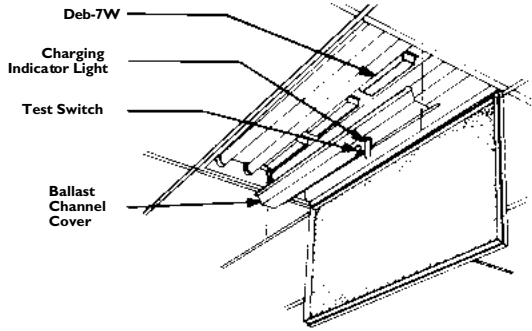
### warranty

- Three year warranty on unit from date of purchase.

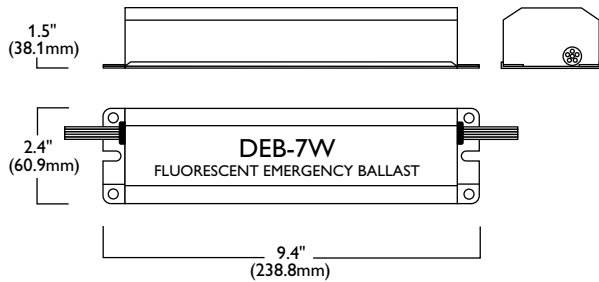


# DEB-7W Emergency ballast

600-700 lumens, 1 or 2 lamp, damp location

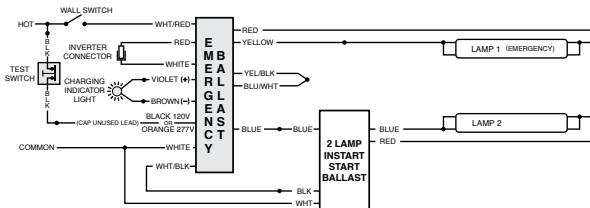


## dimensions

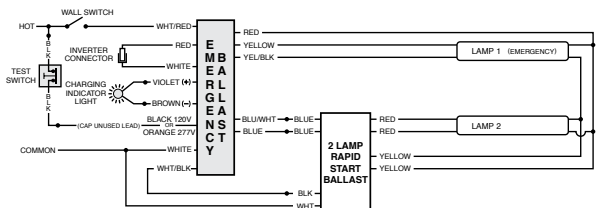


## wiring diagrams

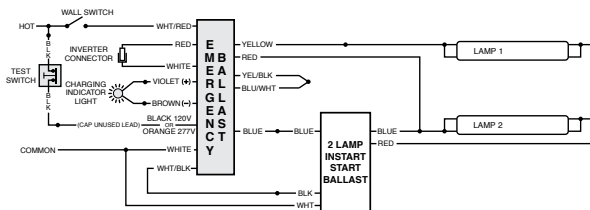
Two (2) Lamp Instant Start Ballast



Two (2) Lamp Rapid Start Ballast



Two (2) Lamp Instant Start Ballast



Two (2) Lamp Rapid Start Ballast

