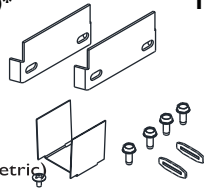


### System Overview

These instructions review how to install TruGroove recessed micro fixtures in T-Grid Ceilings. For continuous run lengths, please refer to layout drawings supplied by Philips Ledalite in conjunction with these installation instructions. The graphic below shows the components required to install a run of TruGroove fixtures in T-Grid ceilings.

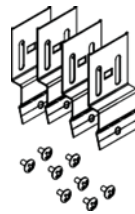
#### TruGroove recessed micro joint kit(s)\*

- Joiner Aligners (x2)
- Joining Brackets (x2)
- Hex Bolts (x4)
- Screw(s)  
(x1 for symmetric, x2 for asymmetric)
- LED Pan Connector (x1)  
*NOTE: Image shown is a symmetric connector. Asymmetric has two pieces.*



#### TruGroove recessed micro hanger kit(s)\*\*

- Brackets (x4)
- Screws (x8)



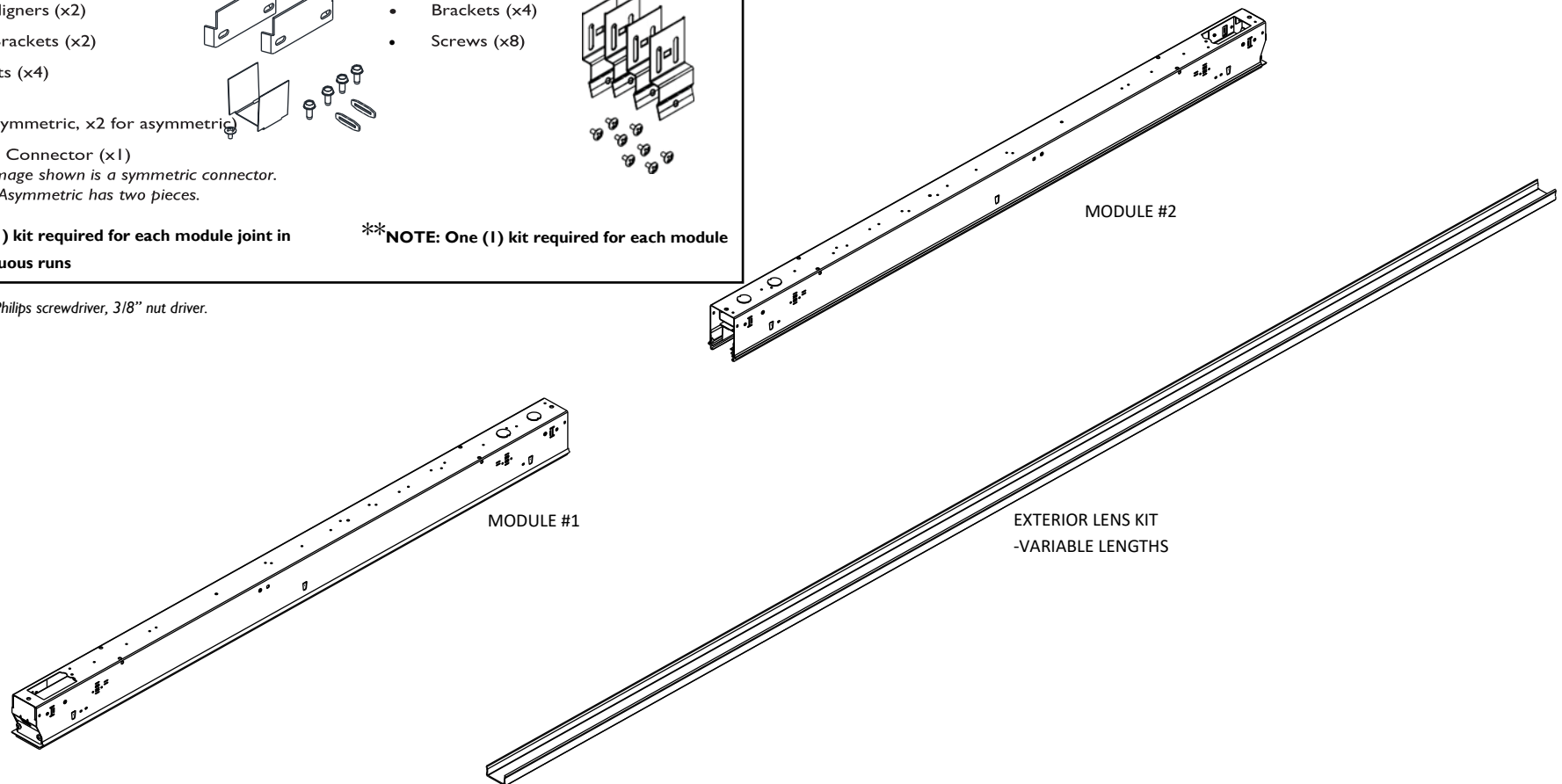
**\*NOTE: One (1) kit required for each module joint in continuous runs**

**\*\*NOTE: One (1) kit required for each module**

TOOLS REQUIRED: Philips screwdriver, 3/8" nut driver.

### Prepare Fixtures/Reference Layout Drawings

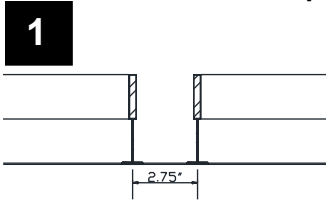
Arrange boxed fixtures on floor in specified mounting locations, based on supplied layout drawings. Remove fixtures from boxes. Remove plastic from fixtures. Match up each fixture and lens based on the spec tag and ID number labelled on each fixture box for the specified run.



**! ATTENTION: Install in accordance with national and local building and electrical codes.**

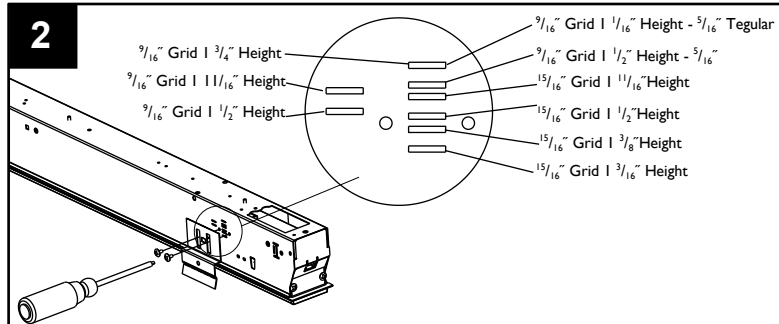
Page 1

### Set-up T's



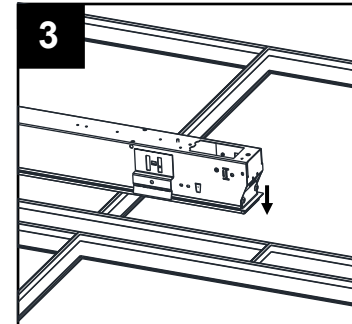
Install main T's, 2.75" on center. For continuous row lengths, refer to supplied layout drawings. Add 1/4" to the overall housing length indicated on your layout drawings. Position the cross T.

### Install Mounting Brackets



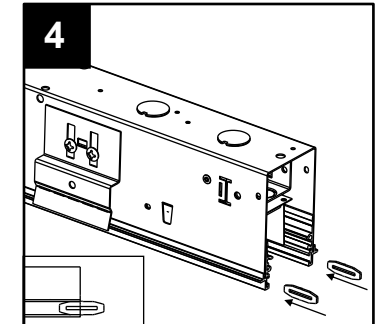
Install T-Grid mounting brackets to required height.

### Install Fixture



Install the first fixture (or Standalone Unit) from above the T-Bar Grid.

### Install Joiner Aligners

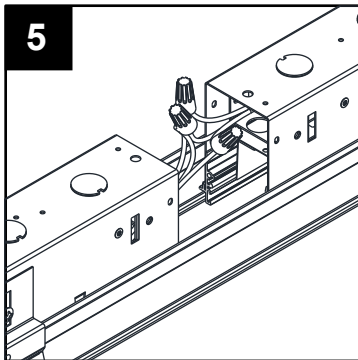


In the joining fixture install the joiner aligners in the trim extrusion to approximately halfway.

**Note:** In the final continuous run module, fully insert the joiner aligner, tap to beyond 50%

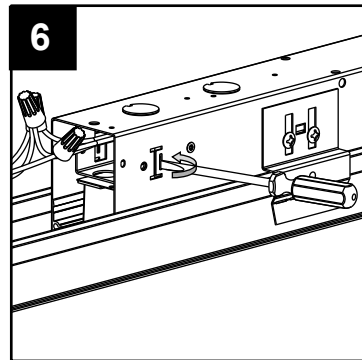
For standalone fixtures, go to step 8.

### Complete Wiring



Install the joiner fixture into the T-Bar Grid from above. Complete wiring and slide the fixtures together.

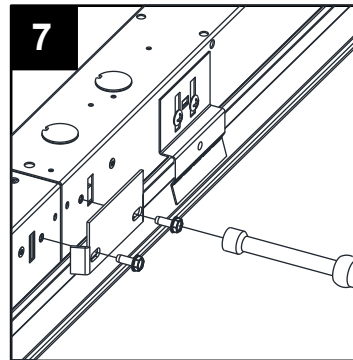
### Open Slots for Joiner Bracket



Snap off the safety cover on joiner bracket slots with a flat head screwdriver.

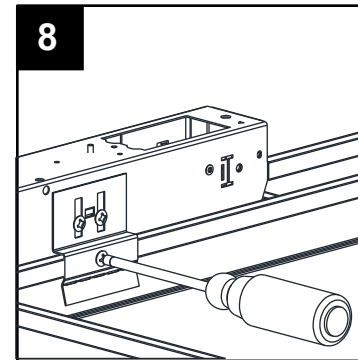
This only needs to be done one sides that require joining.

### Install Joiner Brackets



Install supplied side attachment brackets with 3/8" nut driver.

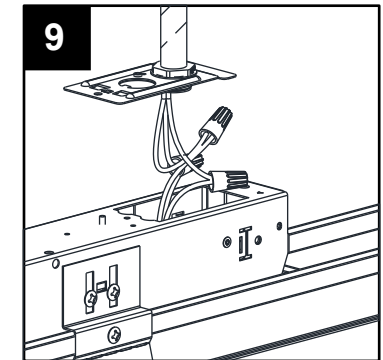
### Secure Fixture on the Grid



Secure the fixture to the T-Bar grid.

For continuous runs, finish installing run first and then secure to the T-Bar grid.

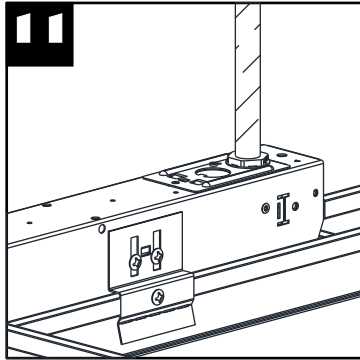
### Install Power Drop



Install power drop at desired location.

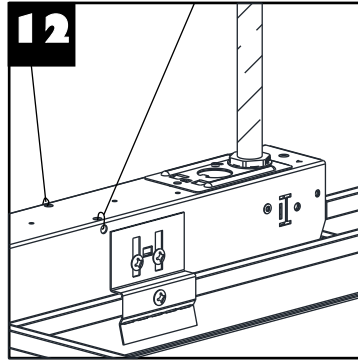
**! ATTENTION: Install in accordance with national and local building and electrical codes.**

### Install Wire Access Covers



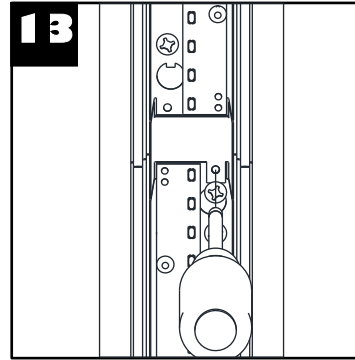
Install wire access covers to close the fixture.

### Install Seismic Restraints



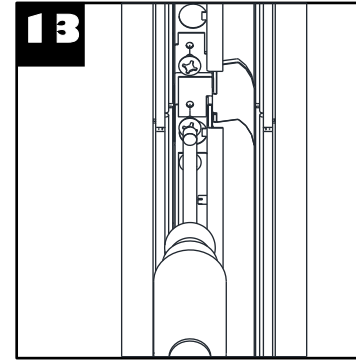
Install seismic restraints according to local building code requirements.

### LED Pan Joiner - Symmetric



Mount the LED pan connector with the supplied screw in the joiner kit.

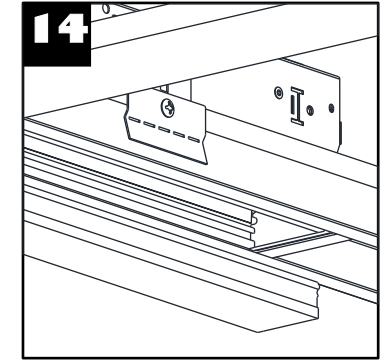
### LED Pan Joiner - Asymmetric



Mount the LED pan connector with the supplied screw in the joiner kit.

There are two pieces for the asymmetric fixtures.

### Install Snap-In Flush Lens



Standalone Units: Lenses are supplied in 2', 3', 4', 5', 6' or 8' lengths.

Continuous Runs: Lenses are pre-cut to a maximum of 8' lengths and are specific to run lengths. Consult layout drawings for placement.

**! ATTENTION: Install in accordance with national and local building and electrical codes.**

Page 3