

Day-Brite CFI

by Signify

Recessed

T-Grid LED
troffer 1x4

2200, 3200, 4200 or
5000 lumens



Project: _____
 Location: _____
 Cat.No: _____
 Type: _____
 Lamps: _____ Qty: _____
 Notes: _____

Day-Brite / CFI T-Grid LED troffer is an energy efficient low profile luminaire offering excellent performance for general lighting applications such as offices, schools, healthcare, or retail. Featuring a frosted prismatic lens to enhance visual comfort, the T-Grid LED Troffer utilizes highly reliable and efficient Philips LED platform boards and dimmable driver, enabling market leading efficiency in its category.

Ordering guide

Example: 1TG32L840-4-FS-02F-UNV-DIM

Width	Family	Ceiling Type	Lumen Package	Color Temp.	Length	Door Frame	Lens	Voltage	Driver	Options
1	T	G		—	4	—	—	—	—	
1' 1'	T T-Grid LED troffer	G Grid	22L 2200 nominal delivered lumens 32L 3200 nominal delivered lumens 42L 4200 nominal delivered lumens 50L 5000 nominal delivered lumens	830 80 CRI, 3000K 835 80 CRI, 3500K 840 80 CRI, 4000K 850 80 CRI, 5000K	4' 4'	FS Flat Steel RA Regressed Aluminum	02F Pattern 12, .100" nominal diffuse 50% 12F DB 12 .125" nominal diffuse 50% 19F DB 19 .156" nominal diffuse 50%	UNV Universal Voltage 120-277V 347 347V	DIM 0-10V dimming SDIM Step dimming to 40% input power	F1 3/8" flex, 3 wire, 18 gauge 6' F2 3/8" flex, 4 wire, 18 gauge 6' F1/D 3/8" twin flex, 3 wire, 18 gauge 6', for dimmable luminaires F2/5W 3/8" single flex, 5 wire, 18 gauge 6', for dimmable luminaires EMLED¹ Integral emergency battery pack 1W 1-way gasket between lens & door frame (not avail. for RA door frame) 2W 1-way & gasket between door frame & housing 3W 2-way & gasket between housing & ceiling (field installed) GLR Fusing, fast blow CHIC Chicago Plenum rated DSC Quick driver disconnect

Footnotes

1 1100 nominal lumens delivered in DC mode

Accessories (order separately)

- **FMA14** – 1'x4' "F" mounting frame for NEMA "F" mounting
- **GCP** – Grid clip pack (1'x4')



1TG T-Grid LED troffer 1x4

2200, 3200, 4200 or 5000 lumens

Application

- High efficacy long life solid state lighting platform.
- General lighting distribution is excellent for ambient lighting.
- High CRI source provides excellent color rendering.
- LEDs are an excellent source for use with controls since frequent switching does not affect the life of a light source.

Construction/finish

- Quality recessed troffer for the following "NEMA" ceiling types: NEMA "G"-Grid, NEMA "NFSG"-Narrow Faced Slot Grid, NEMA "GR"-Grid Regressed, NEMA "NFG"-Narrow Faced Grid.
- Field assembled and installed "F" mounting Frame adapts fixture for use in NEMA "F" ceilings requiring flanges.
- Housing is constructed of pre-painted steel.
- Troffer body die-formed CR steel with reinforcing ribs for rigidity.
- 7/8 K.O.'s provided in each end cap and quick wire access plate in housing top with two 7/8 K.O.'s provided.
- Snap on wireway cover.

- T-bar clips are not integral to the luminaire, and must be ordered separately.
- Low profile body minimizes clearance required.
- All units have wire hanger tabs for independent wire suspension.

Electrical

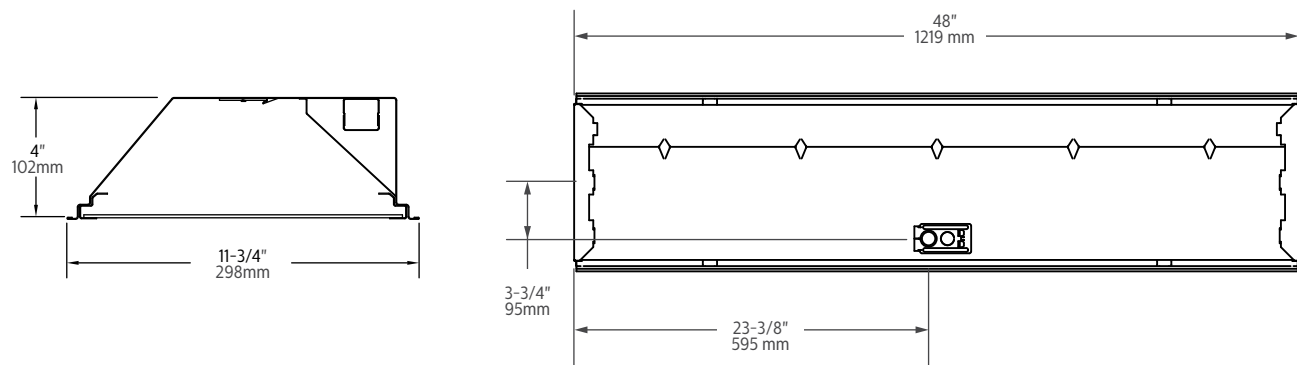
- Standard 0-10V dimming.
- Driver and LED boards are accessible from below. LED boards are individually replaceable if required.
- Five-year luminaire limited warranty including LED boards and driver. Visit www.philips.com/warranties for complete warranty information.
- High efficiency LEDs have 50,000 hour rated life (defined by testing at 70% lumen maintenance (L70)), based on 25°C ambient operating temperature.
- UL listed, suitable for damp locations.
- No exposed internal wiring.
- cETLus listed to UL and CSA standards, suitable for damp location.

- T-Grid LED luminaires are DesignLights Consortium® qualified. Please see the DLC QPL list for exact catalog numbers (<http://www.designlights.org/QPL>).
- Many luminaire components, such as reflectors, refractors, lenses, sockets, lampholders, and LEDs are made from various types of plastics which can be adversely affected by airborne contaminants. If sulfur based chemicals, petroleum based products, cleaning solutions, or other contaminants are expected in the intended area of use, consult factory for compatibility.

Enclosure

- Flat steel door frame has mitered corners.
- Hinged and latched (from either side) door frame.
- Mechanically designed interlocks eliminate light leaks.
- White (standard) or black (optional) door frames available.
- Diffuser is clear color stabilized 100% prismatic acrylic.

Dimensions



1TG T-Grid LED troffer 1x4

2200, 3200, 4200 or 5000 lumens

Photometry

1x4 T-Grid LED troffer, 2200 nominal delivered lumens

LER – 106

Catalog No. 1TG22L840-4-FS-02F-UNV Test No. 33591 S/MH 1.1 Lamp Type LED Lumens 2284 Input Watts 21.6 Comparative yearly lighting energy cost per 1000 lumens – \$2.26 based on 3000 hrs. and \$.08 pwr KWH. The photometric results were obtained in the Day-Brite laboratory which is NVLAP accredited by the National Institute of Standards and Technology. Photometric values based on test performed in compliance with LM-79.	Candlepower				Light Distribution			Average Luminance								
	Angle	End	45	Cross	Degrees	Lumens	% Luminaire	Angle	End	45°	Cross					
	0	1055	1055	1055	0-30	789	34.5	45	2672	2448	2252					
	5	1045	1049	1051	0-40	1235	54.1	55	2197	1911	1733					
	15	998	1000	996	0-60	1924	84.3	65	1794	1503	1424					
	25	897	886	873	0-90	2283	100.0	75	1709	1385	1356					
	35	744	715	685				85	1981	1425	1397					
	45	558	511	470	Coefficients of Utilization											
	55	372	324	294	EFFECTIVE FLOOR CAVITY REFLECTANCE 20 PER (pfc=0.20)											
	65	224	188	178	pcc	80			70			50				
75	131	106	104	pw	70	50	30	70	50	30	50	30				
85	51	37	36	RCR												
				0	118	118	118	115	115	115	111	111				
				1	110	105	101	107	103	98	98	95				
				2	101	93	86	97	91	84	88	82				
				3	93	82	75	90	81	73	78	71				
				4	84	73	66	82	72	65	69	64				
				5	79	67	58	77	66	57	64	56				
				6	72	60	52	71	59	52	57	51				
				7	68	56	46	67	55	46	53	46				
				8	64	51	42	61	50	42	48	41				
				9	59	46	39	58	46	39	45	39				
				10	56	44	35	55	42	35	41	35				

1x4 T-Grid LED troffer, 3200 nominal delivered lumens

LER – 104

Catalog No. 1TG32L840-4-FS-02F-UNV Test No. 33592 S/MH 1.1 Lamp Type LED Lumens 3163 Input Watts 30.4 Comparative yearly lighting energy cost per 1000 lumens – \$2.31 based on 3000 hrs. and \$.08 pwr KWH. The photometric results were obtained in the Day-Brite laboratory which is NVLAP accredited by the National Institute of Standards and Technology. Photometric values based on test performed in compliance with LM-79.	Candlepower				Light Distribution			Average Luminance								
	Angle	End	45	Cross	Degrees	Lumens	% Luminaire	Angle	End	45°	Cross					
	0	1460	1460	1460	0-30	1092	34.5	45	3698	3398	3118					
	5	1447	1452	1455	0-40	1709	54.1	55	3040	2650	2399					
	15	1380	1384	1378	0-60	2664	84.2	65	2483	2090	1970					
	25	1240	1228	1208	0-90	3161	100.0	75	2371	1925	1877					
	35	1029	992	948				85	2730	1990	1909					
	45	772	710	651	Coefficients of Utilization											
	55	515	449	406	EFFECTIVE FLOOR CAVITY REFLECTANCE 20 PER (pfc=0.20)											
	65	310	261	246	pcc	80			70			50				
75	181	147	143	pw	70	50	30	70	50	30	50	30				
85	70	51	49	RCR												
				0	118	118	118	115	115	115	111	111				
				1	110	105	101	107	103	98	98	95				
				2	101	93	86	97	91	84	88	82				
				3	93	82	75	90	81	73	78	71				
				4	84	73	66	82	72	65	69	64				
				5	79	67	58	77	66	57	64	56				
				6	72	60	52	71	59	52	57	51				
				7	68	56	46	67	55	46	53	46				
				8	64	51	42	61	50	42	48	41				
				9	59	46	39	57	46	39	45	39				
				10	56	44	35	55	42	35	41	34				

1TG T-Grid LED troffer 1x4

2200, 3200, 4200 or 5000 lumens

Photometry

1x4 T-Grid LED troffer, 4200 nominal delivered lumens

LER – 101

Catalog No. 1TG42L840-4-FS-02F-UNV Test No. 33599 S/MH 1.1 Lamp Type LED Lumens 4404 Input Watts 43.6 Comparative yearly lighting energy cost per 1000 lumens – \$2.38 based on 3000 hrs. and \$.08 pwr KWH. The photometric results were obtained in the Day-Brite laboratory which is NVLAP accredited by the National Institute of Standards and Technology. Photometric values based on test performed in compliance with LM-79.	Candlepower				Light Distribution			Average Luminance			
	Angle	End	45	Cross	Degrees	Lumens	% Luminaire	Angle	End	45'	Cross
	0	2030	2030	2030	0-30	1518	34.5	45	5151	4719	4352
	5	2011	2020	2023	0-40	2378	54.0	55	4233	3691	3348
	15	1919	1926	1918	0-60	3708	84.2	65	3465	2904	2754
	25	1727	1709	1682	0-90	4404	100.0	75	3304	2676	2624
	35	1432	1379	1321							
	45	1076	985	909							
	55	717	625	567							
	65	432	362	344							
75	253	205	201								
85	98	71	69								
Coefficients of Utilization											
EFFECTIVE FLOOR CAVITY REFLECTANCE 20 PER (pfc=0.20)											
pcc	80			70			50				
pw	70	50	30	70	50	30	50	30			
RCR											
0	118	118	115	115	115	111	111				
1	110	105	101	107	103	98	98 95				
2	101	93	86	97	91	84	88 82				
3	93	82	75	90	81	73	78 71				
4	84	73	66	82	72	65	69 64				
5	79	67	58	77	66	57	64 56				
6	72	60	52	70	59	52	57 51				
7	68	56	46	67	55	46	53 46				
8	64	51	42	61	50	42	48 41				
9	59	46	39	57	46	39	45 39				
10	56	44	35	55	42	35	41 34				

1x4 T-Grid LED troffer, 5000 nominal delivered lumens

LER – 98

Catalog No. 1TG50L840-4-FS-02F-UNV Test No. 33596 S/MH 1.1 Lamp Type LED Lumens 5078 Input Watts 51.9 Comparative yearly lighting energy cost per 1000 lumens – \$2.45 based on 3000 hrs. and \$.08 pwr KWH. The photometric results were obtained in the Day-Brite laboratory which is NVLAP accredited by the National Institute of Standards and Technology. Photometric values based on test performed in compliance with LM-79.	Candlepower				Light Distribution			Average Luminance			
	Angle	End	45	Cross	Degrees	Lumens	% Luminaire	Angle	End	45'	Cross
	0	2337	2337	2337	0-30	1749	34.4	45	5929	5457	5009
	5	2315	2325	2329	0-40	2740	54.0	55	4880	4265	3853
	15	2209	2217	2208	0-60	4275	84.2	65	3992	3368	3171
	25	1986	1968	1935	0-90	5075	100.0	75	3813	3099	3021
	35	1650	1590	1522							
	45	1238	1140	1046							
	55	827	723	653							
	65	498	420	396							
75	291	237	231								
85	113	83	80								
Coefficients of Utilization											
EFFECTIVE FLOOR CAVITY REFLECTANCE 20 PER (pfc=0.20)											
pcc	80			70			50				
pw	70	50	30	70	50	30	50	30			
RCR											
0	118	118	118	115	115	115	111 111				
1	110	105	101	107	103	98	98 95				
2	101	93	86	97	91	84	88 82				
3	93	82	75	90	81	73	78 71				
4	84	73	66	82	72	65	69 64				
5	79	67	58	77	66	57	64 56				
6	72	60	52	70	59	52	57 51				
7	68	56	46	67	55	46	53 46				
8	64	51	42	61	50	42	48 41				
9	59	46	39	57	46	39	45 38				
10	56	44	35	55	42	35	41 34				

