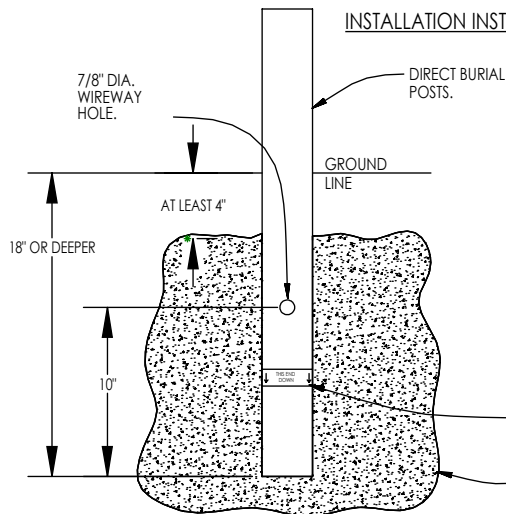


INSTALLATION INSTRUCTIONS: DIRECT BURIAL POSTS & ACCESSORIES

INSTALLATION INSTRUCTIONS FOR DIRECT BURIAL POSTS

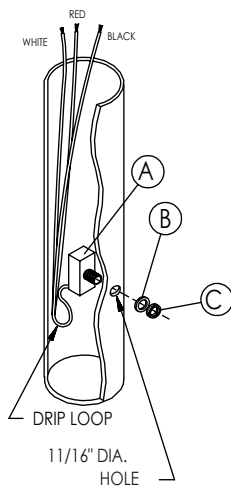


1. CONSULT WITH LOCAL AUTHORITIES AS TO SPECIFIC BUILDING & ELECTRICAL CODES. THE FOLLOWING STEPS SHOULD HELP YOU MEET THOSE CODES.
2. EXCAVATE A HOLE APPROXIMATELY 20\"
3. INSTALL CABLE FROM HOUSE TO FIXTURE POST IN TRENCH. MAKE SURE CABLE IS SUITABLE FOR UNDERGROUND BURIAL.
4. INSERT CABLE THRU WIREWAY HOLE 10\"
5. NOTE: SOME CONCRETES HAVE HIGH ALKALI CONTENT THAT CAN DAMAGE ALUMINUM. TO PREVENT DAMAGE COAT INGROUND PORTION OF POST WITH AN ASPHALT BASE PAINT.
6. INSERT POST IN CENTER OF HOLE & BRACE ON 3 SIDES. POUR CONCRETE IN HOLE BEING CAREFUL THAT CONCRETE DOES NOT ENTER BOTTOM OF POST OR WIREWAY HOLE.
7. ALLOW CONCRETE TO HARDEN BEFORE REMOVING BRACES.

WHEN INSTALLING POST, MAKE SURE THE END WITH THE YELLOW LABEL W/ BLACK PRINT IS BURIED AS PER ARROWS ON LABEL.

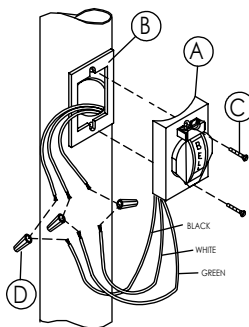
CONCRETE FOOTER TO BELOW LOCAL FROST LEVEL OR LOCAL CODE

INSTALLATION INSTRUCTIONS FOR PHOTO CONTROL



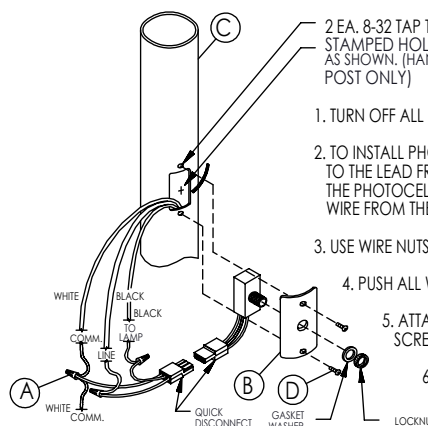
1. TURN OFF ALL POWER.
2. TO INSTALL PHOTOCELL ATTACH RED WIRE FROM PHOTOCELL TO THE LEAD FROM THE LAMP. ATTACH THE WHITE WIRE FROM THE PHOTOCELL TO THE COMMON WIRE. ATTACH THE BLACK WIRE FROM THE PHOTOCELL TO THE INCOMING HOT LINE.
3. SLIDE NEOPRENE (B) WASHER OVER THREADED END OF PHOTO CONTROL (A).
4. SLIDE PHOTO CONTROL (A) INTO 1 1/16\"
5. THREAD ROUND KNURLED NUT (C) ONTO THREADED END OF (A). (TIGHTEN) MAKE SURE PHOTO CONTROL'S (A) LONG LENGTH IS VERTICAL INSIDE POST. (WIRES OF PHOTO CONTROL MUST BE TURNED UP AS SHOWN IN ILLUSTRATION.) MAINTAIN DRIP LOOP AS SHOWN IN ILLUSTRATION.
6. WHEN ALL FINAL CONNECTIONS ARE MADE, POWER MAY BE TURNED ON.

INSTALLATION INSTRUCTIONS FOR CONVENIENCE OUTLET



1. TURN OFF ALL POWER.
2. PLACE GASKET (B) BETWEEN POST & OUTLET (A).
3. CONNECT BLACK OF OUTLET TO BLACK OF POWER.
4. CONNECT WHITE OF OUTLET TO WHITE OF NEUTRAL POWER.
5. CONNECT GREEN OF OUTLET TO GREEN OF GROUND POWER.
6. USE WIRE NUTS (D) ON ALL CONNECTIONS.
7. PUSH ALL WIRES BACK INTO LARGE HOLE IN POST.
8. SECURE OUTLET TO POST WITH 2 EA. SCREWS (C) THRU 2 EA. TAPPED HOLES IN POST.
9. TURN ON POWER.

INSTALLATION INSTRUCTIONS FOR PHOTO CONTROL WITH DOOR



NOTE : ALL WIRING SHOULD COMPLY WITH LOCAL CODES.

ALL WIRING SHOULD BE DONE BY A QUALIFIED ELECTRICIAN.