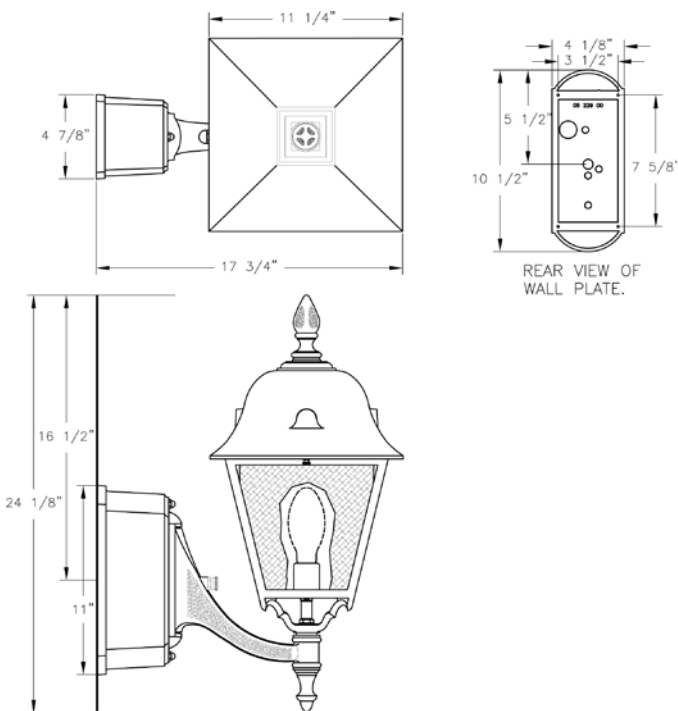


Project: \_\_\_\_\_  
 Location: \_\_\_\_\_  
 Cat.No: \_\_\_\_\_  
 Type: \_\_\_\_\_  
 Lamps: \_\_\_\_\_ Qty: \_\_\_\_\_  
 Notes: \_\_\_\_\_



### Ordering Guide

Example: 5710 BLK A D 50H E N B

Product Code	5710	Jefferson
<b>Finish</b>	BLK BRZ FGN VGN WHT	Black Bronze Forest Green Verde White
<b>Panel/Globe</b>	A B C D E M P Q	Clear Acrylic Opal Acrylic Clear Seeded Acrylic Bronze Tone Acrylic Clear Textured Acrylic Opal Polycarbonate Clear Polycarbonate Prismatic Polycarbonate
<b>Socket</b>	D	Medium
<b>Wattage/Source</b>	50H 70H 100H 35S 50S 70S 100S 100I	50W MH 70W MH 100W MH 35W HPS *1 50W HPS *1 70W HPS 100W HPS 100W INC. *1
<b>Voltage</b>	E F G H	120V 208V 240V 277V
<b>Distribution</b>	N	None
<b>Photoeye</b>	B N	Button Eye *1 None

\*1 Only available in 120V (E).

### Specifications

**CONSTRUCTION:**

Cast aluminum finial. Cast aluminum square roof secures to cage with thumbscrews. Cast aluminum square cage with frog bottom. Brass anodized aluminum sleeve. Cast aluminum knob. Cast aluminum bracket arm and ballast housing with wall plate.

**FINISH:**

Resilient TGIC thermoset polyester powdercoat paint is electrostatically applied to every fixture. Specially formulated for Philips Outdoor Lighting, it provides UV protection, and the highest temperature rating in the industry. In addition to the standard color choices shown, a spectrum of custom colors is available.

**PANELS/LENS/GLOBE:**

See lenses for available options.

**LAMPING:**

Lamp is not included.

# 5710 Jefferson

## Wall Mount

### Specifications

---

**ELECTRICAL ASSEMBLY:**

Lantern will be prewired and tested. All electrical components are ETL listed.

**BALLAST:**

Ballast mounted inside moisture proof housing. (Customer must specify wattage and voltage.)

**MOUNTING:**

See template for dimensions & mounting instructions.

**WARRANTY:**

Three-year limited warranty.

**CERTIFICATIONS:**

ETL Listed to U.S. safety standards for wet locations. cETL Listed to Canadian safety standards for wet locations.

**Height:**

24 1/8"

**Width:**

11 1/4"

**Projection:**

17 3/4"

**Top to Outlet:**

16 1/2"

**Max. Weight:**

18 lbs.

