

LIGHTOLIER

by  Signify

Decorative

IS-FP01

Vetro Luminaires

Read and Understand these instructions before installing luminaire.

This luminaire is intended for installation in accordance with the National Electrical Code and Local Regulations. To assure full compliance with local codes and regulations, check with your local electrical inspector before installation. To prevent electrical shock, turn off electricity at fuse box before proceeding.

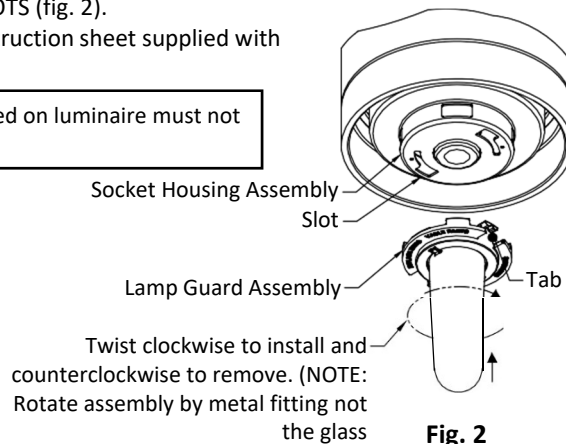
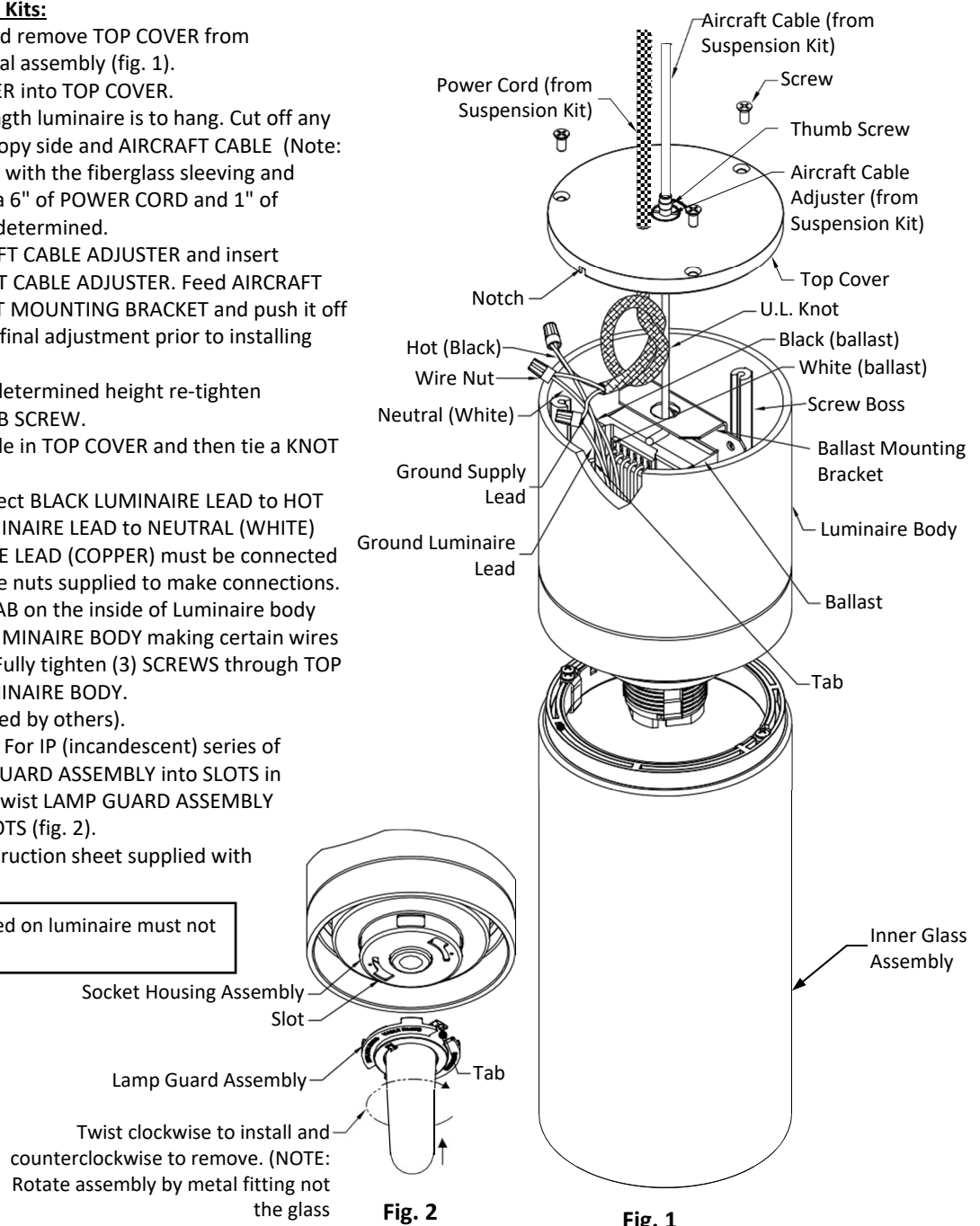
Retain these instructions for maintenance reference.

Note: This instruction sheet covers several luminaire types and styles. Although the illustration may not depict the product exactly, the installation remains the same.

Luminaires Using SK Series Suspension Kits:

1. Unscrew and retain (3) SCREWS and remove TOP COVER from LUMINAIRE BODY to expose internal assembly (fig. 1).
2. Screw in AIRCRAFT CABLE ADJUSTER into TOP COVER.
3. Determine approximate overall length luminaire is to hang. Cut off any excess POWER CORD from the canopy side and AIRCRAFT CABLE (Note: **DO NOT** cut the POWER CORD end with the fiberglass sleeving and tape). Make certain to add an extra 6" of POWER CORD and 1" of AIRCRAFT CABLE to overall height determined.
4. Loosen THUMB SCREW on AIRCRAFT CABLE ADJUSTER and insert AIRCRAFT CABLE through AIRCRAFT CABLE ADJUSTER. Feed AIRCRAFT CABLE through the hole in BALLAST MOUNTING BRACKET and push it off to the side of BALLAST for ease of final adjustment prior to installing TOP COVER.
5. Once the luminaire is hung at the determined height re-tighten AIRCRAFT CABLE ADJUSTER THUMB SCREW.
6. Pass the POWER CORD through hole in TOP COVER and then tie a KNOT in the POWER CORD (fig.1).
7. Make electrical connections: Connect BLACK LUMINAIRE LEAD to HOT (BLACK) SUPPLY LEAD; WHITE LUMINAIRE LEAD to NEUTRAL (WHITE) SUPPLY LEAD; GROUND LUMINAIRE LEAD (COPPER) must be connected to GROUND SUPPLY LEAD. Use wire nuts supplied to make connections.
8. Align NOTCH in TOP COVER with TAB on the inside of Luminaire body and insert TOP COVER back into LUMINAIRE BODY making certain wires and connections are not pinched. Fully tighten (3) SCREWS through TOP COVER into SCREW BOSSES in LUMINAIRE BODY.
9. Install recommended lamp (provided by others).
10. Screw on INNER GLASS ASSEMBLY. For IP (incandescent) series of luminaires, insert TABS on LAMP GUARD ASSEMBLY into SLOTS in SOCKET HOUSING ASSEMBLY and twist LAMP GUARD ASSEMBLY clockwise until fully engaged in SLOTS (fig. 2).
11. For suspension installation see instruction sheet supplied with suspension kit.

CAUTION: Maximum wattage as marked on luminaire must not be exceeded.



IS-FP01 Vetro Luminaires

Note: This instruction sheet covers several luminaire types and styles. Although the illustration may not depict the product exactly, the installation remains the same.

Luminaires Using ST & CTC Series Suspension Kits:

1. Unscrew and retain (3) SCREWS and remove TOP COVER from LUMINAIRE BODY to expose internal assembly (fig. 1).
2. Screw TOP COVER onto STEM. Then tighten down LOCKING RING.
3. Insert SET SCREW into TOP COVER until SET SCREW top is flush to TOP COVER (note: there is no stop for the SET SCREW).
4. Bring the three-supply leads through STEM and tie a KNOT in them. Run them through the BALLAST MOUNTING BRACKET (fig.1).
5. Make electrical connections: Connect BLACK LUMINAIRE LEAD to HOT (BLACK) SUPPLY LEAD; WHITE LUMINAIRE LEAD to NEUTRAL (WHITE) SUPPLY LEAD; GROUND LUMINAIRE LEAD (COPPER) must be connected to GROUND LEAD SUPPLY. Use wire nuts supplied to make connections.
6. Align NOTCH in TOP COVER with TAB on the inside of Luminaire body and insert TOP COVER back into LUMINAIRE BODY making certain wires and connections are not pinched. Fully tighten (3) SCREWS through TOP COVER into SCREW BOSSES in LUMINAIRE BODY.
7. Install recommended lamp (provided by others).
8. Screw on INNER GLASS ASSEMBLY. For IP (incandescent) series of luminaires, insert TABS on LAMP GUARD ASSEMBLY into SLOTS in SOCKET HOUSING ASSEMBLY and twist LAMP GUARD ASSEMBLY clockwise until fully engaged in SLOTS (fig. 2).
9. For suspension installation see instruction sheet supplied with the suspension kits.

