

Instruction Sheet Number **IS:FX16R**

Page 1 of 1

For Assembly and Installation of FX16R LUMINAIRE

Read and understand these instructions before installing luminaire.

This luminaire is intended for installation in accordance with the National Electrical Code and local regulations. To assure full compliance with local codes and regulations, check with your local electrical inspector before installation. To prevent electrical shock, turn off electricity at fuse box before proceeding.

Retain these instructions for maintenance reference.

INSTRUCTIONS FOR ATTACHING A TANGENT™ LUMINAIRE TO THE TANGENT TRACK SYSTEM AND ACCESSORIES.

FOR USE ON CEILING MOUNT, WALL MOUNT, OR SUSPENDED MOUNT ONLY.

CAUTION: HOT SURFACE. Keep away from curtains and any other combustables.

CAUTION: RISK OF BURN. Allow time for luminaire to cool before touching track head for relamping or positioning.

1. Turn power off to TRACK.
2. Turn PIN on ADAPTER counter-clockwise until ADAPTER is fully open. (fig. 1)
3. Place open luminaire ADAPTER on the TRACK with the DIMPLES (fig. 3) and PIN facing same direction.
4. As LUMINAIRE is in place on the TRACK tighten pin by turning it clockwise. (fig. 2)
5. TO REMOVE turn PIN counter-clockwise until fully retracted then pull luminaire down.

NOTE: DO NOT install luminaire with transformer underneath connectors. (fig. 4)

INSTRUCTION FOR CHANGING LAMP IN FX16R

1. Turn power to TRACK off.
2. Slide LAMP under RETAINING BRACKET until LAMP sits in place.
3. Align socket holes with LAMP PINS and compress until secure (Use 12V MR16 GU5.3 Base, 50W MAX. or 37W MAX, IR). (Fig. 5)

INSTRUCTION FOR PUTTING LENS IN FX16R

1. Turn power to TRACK off.
2. Slide GLASS underneath RETAINING BRACKET until sits in place.
3. To remove slide LAMP out and push up on GLASS and slide out from underneath RETAINING RING.(Fig. 6)

INSTRUCTIONS FOR POSITIONING LOW VOLTAGE TANGENT™ LUMINAIRES

1. Turn off power to TRACK allowing time for luminaire to cool.
2. Rotate HOUSING horizontally and vertically as shown.

NOTE: Luminaires rotate infinite horizontally and 90° vertically. Forcing past vertical rotation stop could permanently damage luminaire.

FIG. 1 OPEN POSITION

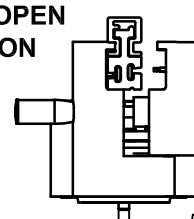


FIG. 2 CLOSED POSITION

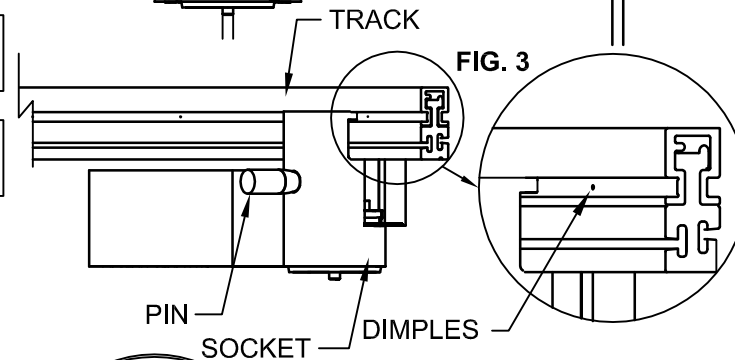
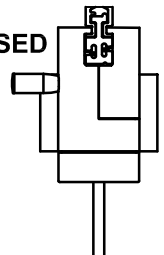


FIG. 4 DO NOT POSITION

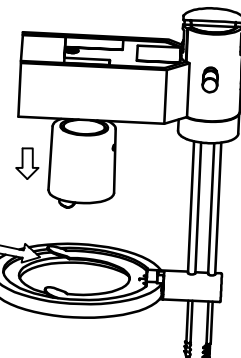
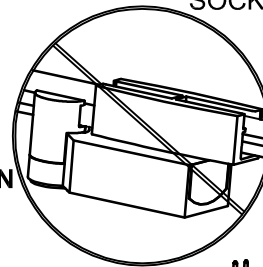


FIG. 5

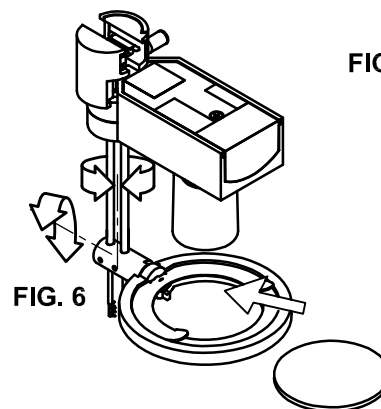


FIG. 6

Dimming

Use only dimmers specifically designed for use with electronic transformers.

Low Voltage fixtures may produce audible sound when dimmed.

Accessory Holder: Integral

Accessories: Accepts one accessory lens; replaces clear glass shield provided with fixture.

Lens: AF2 or ADF2 Series

CAUTION: USE ONLY LAMP WATTAGE AND TYPE AS MARKED ON LUMINAIRE.

Lightolier a Genlyte Company www.lightolier.com
631 Airport Road, Fall River, Ma 02720 (508) 679-8131 Fax (508) 674-4710
We reserve the right to change details of design, materials and finish.
© 2007 Genlyte Group LLC A0307

LIGHTOLIER®