

Project: \_\_\_\_\_

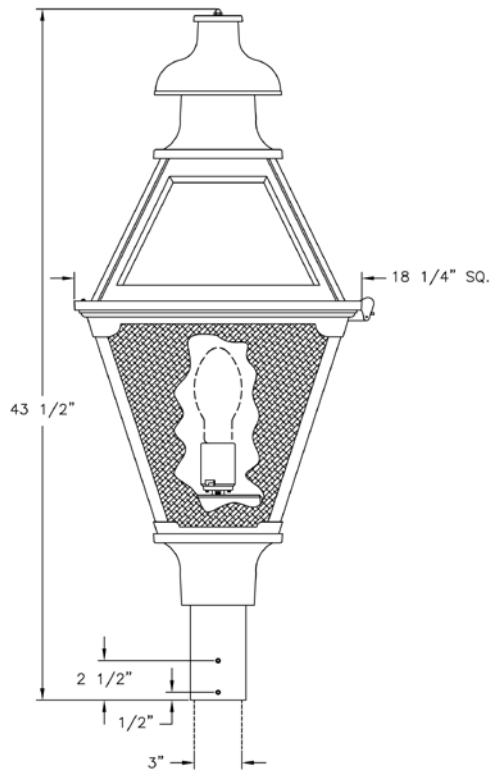
Location: \_\_\_\_\_

Cat.No: \_\_\_\_\_

Type: \_\_\_\_\_

Lamps: \_\_\_\_\_ Qty: \_\_\_\_\_

Notes: \_\_\_\_\_



### Ordering Guide

Example: 1229 ABS A D H E B B

Product Code	1229	Charleston
<b>Finish</b>	ABS ACP ARD ASI BLK BRN BRZ FGN GRA IRN RBZ SRT VBZ VCP VGN VTC WBZ WHT	Antique Brass Antique Copper Antique Red Antique Silver Black Brown Bronze Forest Green Granite Ironstone Rustic Bronze Shadow Rust Verde Bronze Verde Copper Verde Vintage Copper Weathered Bronze White
<b>Panel/Globe</b>	A B C D E M P Q	Clear Acrylic Opal Acrylic Clear Seeded Acrylic Bronze Tone Acrylic Clear Textured Acrylic Opal Polycarbonate Clear Polycarbonate Prismatic Polycarbonate
<b>Socket</b>	D G L R	Medium Mogul LED Induction
<b>Wattage/Source</b>	H S  I R LED	Metal Halide High Pressure Sodium Incandescent Induction LED
<b>Voltage</b>	E F G H	120V 208V 240V 277V

# 1229 Charleston

## Post top

### Ordering Guide

Example: 1229 ABS A D H E B B

<b>Distribution</b>	B	6" Type V Distrib.
	C	6" Type III Distrib.
	D	8" Type V Distrib.
	E	8" Type II Distrib.
	M	Type III - Cutoff Optic
	W	Frosted Chimney - No Internal Optics
	N	None
<b>Photoeye</b>	B	Button Eye
	N	None

### Specifications

#### CONSTRUCTION:

Three (3) piece cast aluminum vent cap assembly. Cast aluminum solid hinged roof for easy relamping. Cast aluminum top & bottom cage frame. 4 Extruded aluminum cage legs welded to top and bottom cage frames. Cast aluminum post fitter slips over 3" dia. post or tenon.

#### FINISH:

Resilient TGIC thermoset polyester powdercoat paint is electrostatically applied to every fixture. Specially formulated for Philips Outdoor Lighting, it provides UV protection, and the highest temperature rating in the industry. In addition to the standard color choices shown, a spectrum of custom colors is available.

#### PANELS/LENS/GLOBE:

See lenses for available options.

#### LAMPING:

Lamp is not included.

#### ELECTRICAL ASSEMBLY:

Lantern will be pre-wired and tested. All electrical components are U.L. listed.

#### BALLAST:

Ballast & component parts mounted inside 2-piece moisture proof ballast compartment. (Customer must specify ballast wattage and voltage desired.)

#### MOUNTING:

Fixture mounts to 3" dia. post or tenon.

#### WARRANTY:

Three-year limited warranty.

#### CERTIFICATIONS:

ETL Listed to U.S. safety standards for wet locations. cETL Listed to Canadian safety standards for wet locations.

#### Height:

43 1/2"

#### Width:

18 1/4"

#### EPA:

3.26

#### Max. Weight:

46 lbs.

