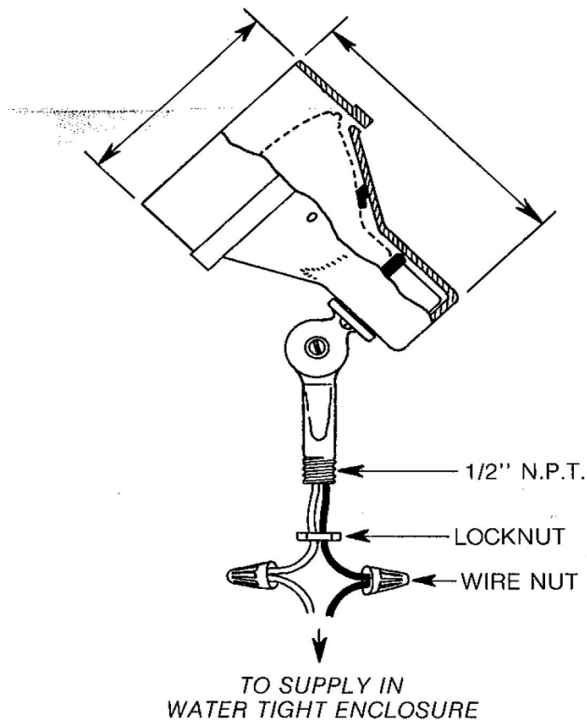


INSTALLATION INSTRUCTIONS: PF1020

CAUTION

DISCONNECT POWER AT MAIN FUSE BOX BEFORE INSTALLING FIXTURE TO PREVENT POSSIBLE INJURY FROM ELECTRICAL SHOCK.



Your Hadco H.I.D. Fixture has been carefully designed to give you optimum performance and maximum efficiency. Each fixture has been individually tested at the factory to assure you of many years of trouble-free service. By following the instructions listed below, you can be sure that your fixture is operating as effectively and economically as possible.

- Step 1** Unpack fixture, unit must be mounted to a grounded system. Also fixture is provided with 1/2 N.P.T. threads to be mounted to a U.L. listed watertight box.
- Step 2** Connect black wire from fixture to 120 volt supply lead using wire connectors. Make sure wire connectors are secure and no bare wire is exposed. Now connect white wire from fixture to common wire of supply in same manner.
- Step 3** Enclose splices in watertight box (not supplied by Craftlite) and make sure that all joints are sealed.
- Step 4** Place lamp in socket using 150 watt Par 38 lamp. Current may now be reconnected.



This fixture is intended for installation in accordance with the National Electrical Code and local code specifications. Failure to adhere to these codes and instructions may result in serious injury and/or damage to the ballast and void the warranty. These instructions do not purport to cover all details or variations in equipment, nor to provide for every possible contingency related to installation, operation, maintenance, or mounting situation. Should specific problems occur that are not addressed by these instructions, contact your Sales Representative or distributor for assistance. Retain these instructions for future reference.