

**PHILIPS  
LUMEC**

Urban

New Westminster

NW Post top luminaire



## Designed **to last**

The **Philips Lumec New Westminster LED post top luminaire** charms with its pure and symmetrical shapes, reminiscent of a ring topped with a pearl. This luminaire receives only praise for its curves, which enhance any environment and add ambiance, as well as for its sturdy design, and advanced photometric performance. With its eternal styling, the New Westminster luminaire is ageless. Powered by the Philips EcoSwap LED light engine, New Westminster provides longevity and energy savings.

# New Westminster

## LED luminaires

The classical and contemporary design in the Philips Lumec New Westminster LED luminaire can be integrated into many different settings. It enhances the surrounding architecture with elegance. Most assuredly classic, but resolutely modern, the New Westminster luminaire know how to create ambiance.

*Prior to ordering, consult specification sheets for the most current information, notes, and exclusions.*



### Benefits

- Ideal for pedestrian areas.
- Classical and contemporary style designed to last.
- Powered by the Philips EcoSwap LED light engine providing longevity and energy savings.
- Lumen packages with output of up to 6,555 lumens.
- Type 3 and 5 optics available.
- Color temperatures 4000K and 3000K are available.

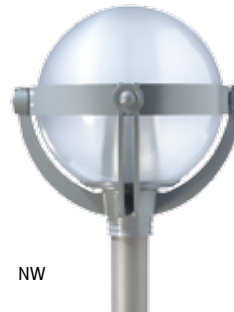


**Lumen range:** 3,870–6,555

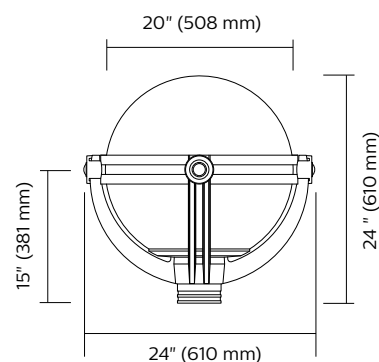
**Wattage range:** 50, 70

**Efficacy range:** 71–97

### Post top



### Dimensions



**NW:**  
EPA: 1.99 sq. ft.  
Weight: 35.89 lbs (16.3 kg)

© 2018 Philips Lighting Holding B.V. All rights reserved. Philips reserves the right to make changes in specifications and/or to discontinue any product at any time without notice or obligation and will not be liable for any consequences resulting from the use of this publication.

PLu-1802BN 02/18 philips.com/luminaires



Philips Lighting, North America Corporation  
200 Franklin Square Drive, Somerset, NJ 08873  
Tel. 855-486-2216

Philips Lighting Canada Ltd.  
281 Hillmount Rd, Markham, ON, Canada L6C 2S3  
Tel. 800-668-9008