

IMPORTANT: FOR YOUR PROTECTION, YOU MUST CAREFULLY READ ALL WARNINGS AND INSTRUCTIONS IN THEIR ENTIRETY PRIOR TO INSTALLATION, OPERATION, SERVICE OR MAINTENANCE. FAILURE TO DO SO CAN RESULT IN DEATH, PERSONAL INJURY AND PROPERTY DAMAGE. If you do not understand these warnings and instructions, or if additional information is desired, please contact Signify at SanMarcos.TSC@signify.com phone 800-227-0758.

- Installation, service and maintenance of luminaires must be performed by a qualified professional and in accordance with all federal, state and local laws, regulations and electrical codes. This professional should be familiar with the construction and operation of this product and any hazards involved. If not qualified, do not attempt installation, service or maintenance.
- To reduce the risk of death, personal injury or property damage from fire, electric shock, falling parts, cuts, abrasions and other hazards, please read all warnings and instructions included with the luminaire, on the luminaire's packaging and affixed to the luminaire itself.
- Maintenance of the luminaires should be performed by person(s) familiar with the luminaire's construction and operation and any hazards involved.



WARNING

RISK OF FIRE, ELECTRIC SHOCK OR PERSONAL INJURY

- Disconnect or turn off power before attempting any installation, service or maintenance.
- Verify that supply voltage is correct by referencing the luminaire label information.
- Make all electrical and ground connections in accordance with the National Electrical Code (NEC) and any other applicable laws, regulations or codes.
- All wiring connections should be capped with UL-approved wire connectors.



WARNING

RISK OF PERSONAL INJURY

- Wear gloves and safety glasses at all times when removing luminaire from carton, installing, servicing or performing maintenance.
- Avoid direct eye exposure to the light source while it is on.



WARNING

RISK OF FIRE OR PERSONAL INJURY

- Keep combustible materials away from LED/lamp & lens
- Do not operate in close proximity to persons, combustible materials or substances affected by heat or drying.



WARNING

RISK OF FIRE, ELECTRIC SHOCK OR PERSONAL INJURY

- Allow Led/lamp & lens to cool before handling.
- Do not touch enclosure or light source
- Do not exceed maximum wattage marked on luminaire label.
- Follow all manufacturer's warnings, recommendations, instructions and restrictions for driver type, burning position, mounting locations and replacement.



CAUTION

RISK OF PRODUCT DAMAGE

- Never connect luminaires and/or components under load with supply voltage turned on.
- Do not mount or support these luminaires in a manner that can cut the outer jacket or damage wire insulation.
- Do not restrict fixture ventilation. Allow for some volume of airspace around luminaire. Avoid covering luminaire with insulation, foam or other material that will prevent convection or conduction cooling.
- Do not exceed luminaire maximum ambient temperature.
- Do not modify the luminaire.
- Only use luminaire in its intended application and location.
- Led products are polarity sensitive. Ensure proper polarity before installation.
- Electrostatic Discharge (ESD) can damage LED. Personal grounding equipment must be worn during all installation and servicing of the luminaire.
- Do not touch individual electrical components as this can cause ESD, shorten LED life, or impact LED performance.
- Some components inside the luminaire may not be serviceable. In the unlikely event your luminaire may require service, stop using it immediately and contact SanMarcos.TSC@signify.com phone 800-227-0758.
- Always read the luminaires complete installation instructions prior to installation for any additional luminaire specific warnings.
- In the case of HID or Fluorescent luminaires, regular re-lamping is required to keep luminaire operating within safe limits
- **Do not install damaged product.** Handling and installing damaged products can potentially increase the risks mentioned. In case of damage and/or missing parts upon arrival of the luminaire, please contact SanMarcos.TSC@signify.com phone 800-227-0758.
- These instructions do not purport to cover all details or variations in equipment nor to provide every possible contingency to meet in connection with installation, operation or maintenance. Should further information be desired or should particular problems arise which are not covered sufficiently for the purchaser's or owner's purposes, this matter should be referred to SanMarcos.TSC@signify.com phone 800-227-0758.
- Please see luminaire specific Installation and Maintenance Instruction for additional warnings or any applicable FCC or regulatory statements. Failure to follow any of these Instructions could void luminaires warranties.

Luminaire Maintenance

- Regular luminaire maintenance programs are recommended.
- It is recommended to clean the outside of the luminaire and the refractor/lens.
- Frequency of cleaning will depend on ambient dirt level and minimum light output which is acceptable to user.
- If clean water is not sufficient for cleaning, use a neutral, synthetic, not-scratching and not-abrasive cleaning substance.
- Never use alkaline and/or acetous cleaning substances.
- Make sure that the cleaning substance is carefully removed by rinsing with lots of clean water.
- Signify recommends using a cleaning solution that has a PH between 5 and 8.
- Recycle: For information on how to recycle electronic products and components, please visit www.epa.gov.

This luminaire is intended for indoor or outdoor applications, ETL/ETL Listed to the UL 1688 standard, suitable for wet locations and IP68 rated.

IMPORTANT:

Read carefully before installing. All work should be performed by a qualified Electrician. These instructions may not provide directions to cover every variation and detail. To obtain additional information, consult your vendor or contact the factory directly for assistance before attempting anything with uncertainty. Improper installation and/or utilization may void manufacturer's warranty.

This fixture must be grounded in accordance with local codes and the **NATIONAL ELECTRICAL CODE**. Failure to do so may result in serious personal injury. Luminaires should be operated on grounded systems only.

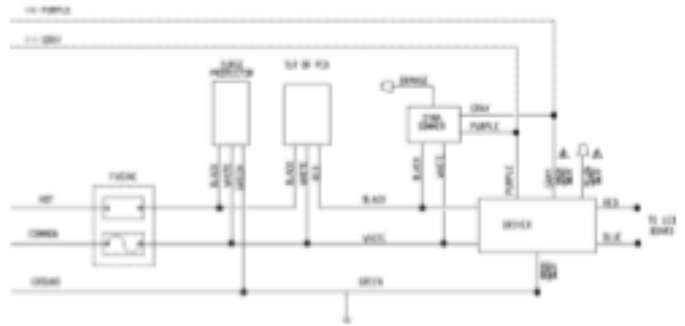
Ungrounded power distribution systems may carry high transient voltages which can cause failure of any type electrical equipment. Use of this equipment on ungrounded systems will **VOID THE WARRANTY**.

GENERAL:

Upon receipt, inspect for any freight damage, which should be brought to the attention of the delivering carrier. Compare the catalog description listed on the packing slip with the label on the carton to assure you have received the correct material.

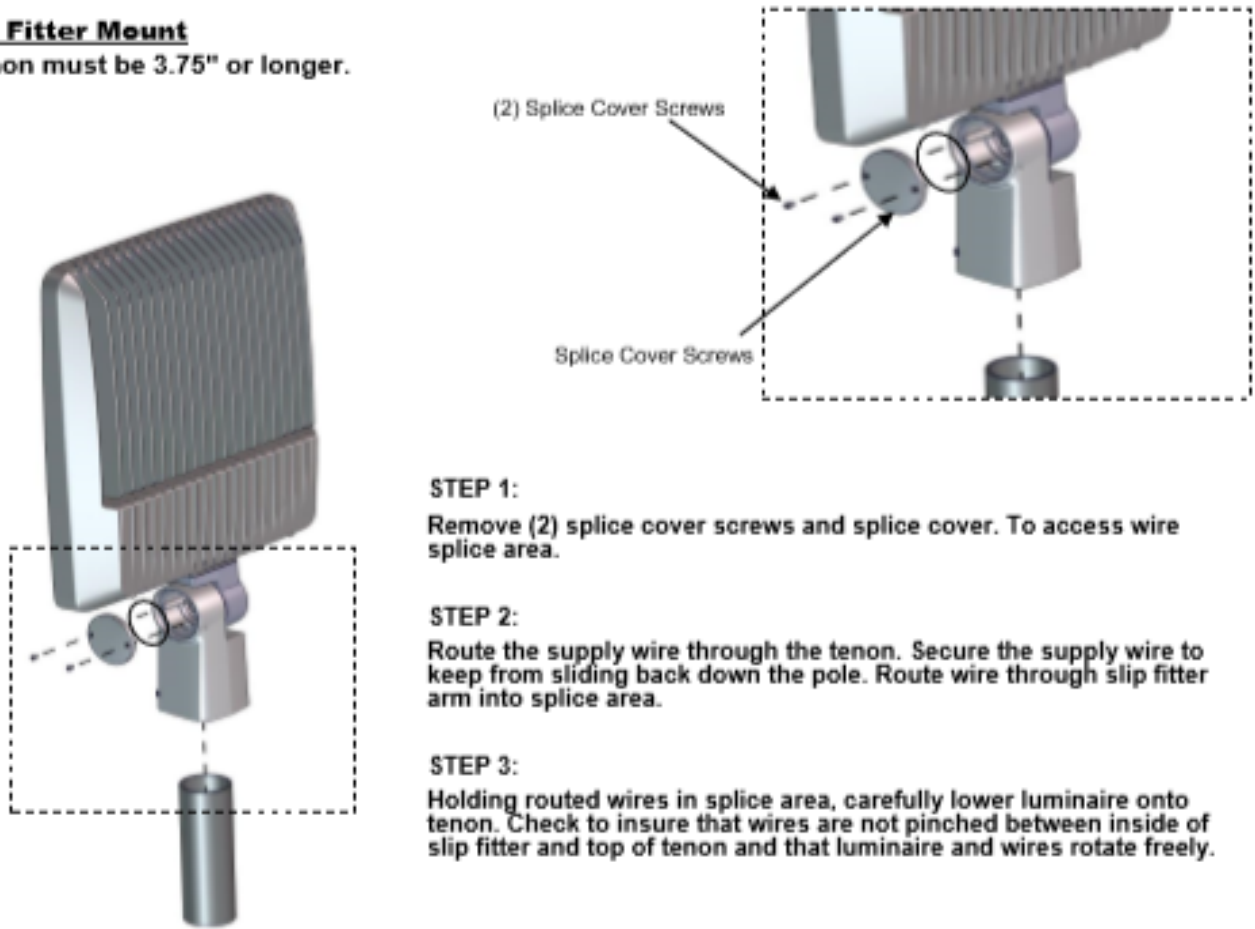
Electrical Connection: (Not all options shown below are included.)

- Connect the black fixture lead to the input voltage supply or Hot 1 (for 208/240V/480v wiring).
- Connect the white fixture lead to the neutral supply or Hot 2 (for 208/240V/480v wiring).
- Connect the green or green/yellow ground lead to the incoming ground wire.
- If Dimming is an option; connect the purple dimming positive lead to the supply dimming positive lead.
- If Dimming is an option; connect the grey dimming negative lead to the supply dimming negative lead.



SF - Slip Fitter Mount

Note: Tenon must be 3.75" or longer.



STEP 1:

Remove (2) splice cover screws and splice cover. To access wire splice area.

STEP 2:

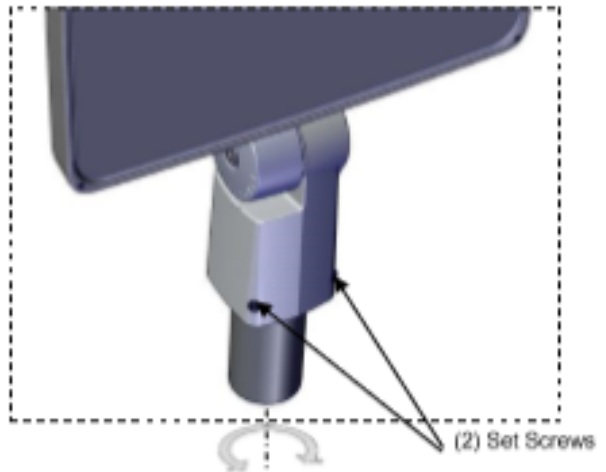
Route the supply wire through the tenon. Secure the supply wire to keep from sliding back down the pole. Route wire through slip fitter arm into splice area.

STEP 3:

Holding routed wires in splice area, carefully lower luminaire onto tenon. Check to insure that wires are not pinched between inside of slip fitter and top of tenon and that luminaire and wires rotate freely.

SF - Slip Fitter Mount - (Cont'd)

Note: Tenon must be 3.75" or longer.



STEP 4:

Fit the luminaire over the tenon. Using 3/16" Allen wrench, hand tighten (2) set screws, on the side of the tenon where the cord is, until tip of screws engage tenon. (Do not fully tighten). Rotate to correct horizontal aiming position. Tighten set screws to 20 ft.-lbs. when final horizontal position is set.

STEP 5:

Make electrical connections per Electrical Connection section inside splice area. When complete replace splice cover and (2) screws removed in Step 1. Insure that gasket is correctly in place before tightening splice cover and screws.

SF - Slip Fitter Angle Adjustment

ANGLE ADJUSTMENT

NOTE: Angle adjustment can be made before luminaire installation.

STEP 1:

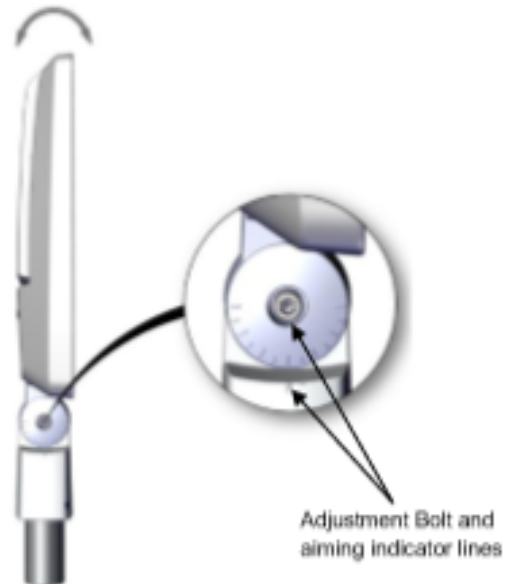
After the luminaire is installed, the angle of the luminaire can be adjusted approximately 90° up or down in 5° increments.

STEP 2:

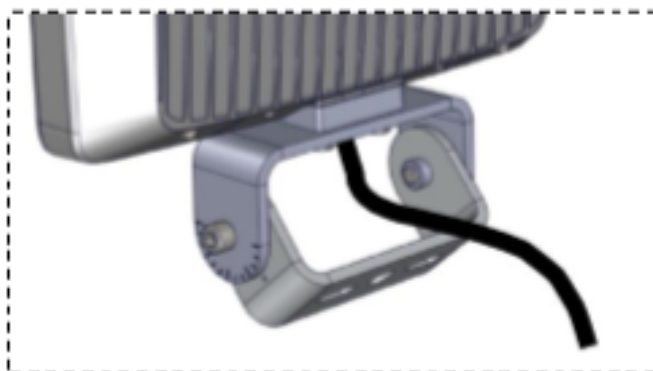
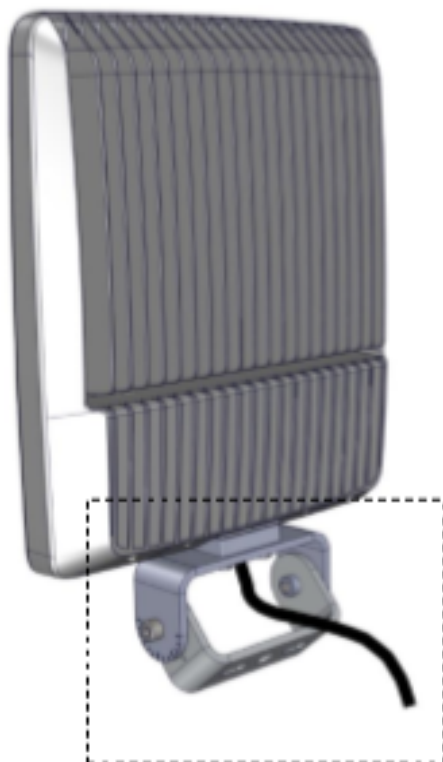
To adjust the angle, loosen the (1) 1/2-13 X 1.75" socket cap bolt located in slip fitter Arm. (Do not remove bolt.) Loosen only enough to allow rotation on cast teeth.

STEP 3:

Using the degree indicators, shown as a guide, rotate the luminaire to the desired position and retighten the bolt loosened in Step 2 to 47 ft.-lbs.



YK - Yoke Mount



- STEP 1:**
Mount yoke to surface with (2)- 1/2" bolts provided by others.
- STEP 2:**
Route the supplied cord to electrical junction box provided by installer. Secure cord with connector.
- STEP 3:**
Make electrical connections per Electrical Connection section inside junction box.
- NOTE:** Electrical Connections can be made after installation is finished.
- STEP 4:** Replace junction box gasket and cover.

YK - Yoke Angle Adjustment

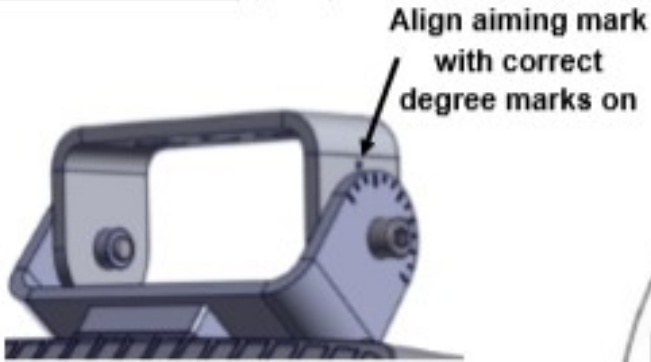
NOTE: Angle adjustment can be made before luminaire installation.

- STEP 1:**
After the luminaire is installed, the vertical angle of the luminaire can be adjusted up or down
- STEP 2:**
To adjust the angle, loosen the (2) 1/2-13 X 1.25" socket head cap bolts located in yoke arm. (Do not remove bolts.) Loosen only enough to allow rotation.
- STEP 3:**
Using the degree indicators, shown as a guide, rotate the luminaire to the desired position and retighten the bolt loosened in Step 2 to 75 ft.-lbs.

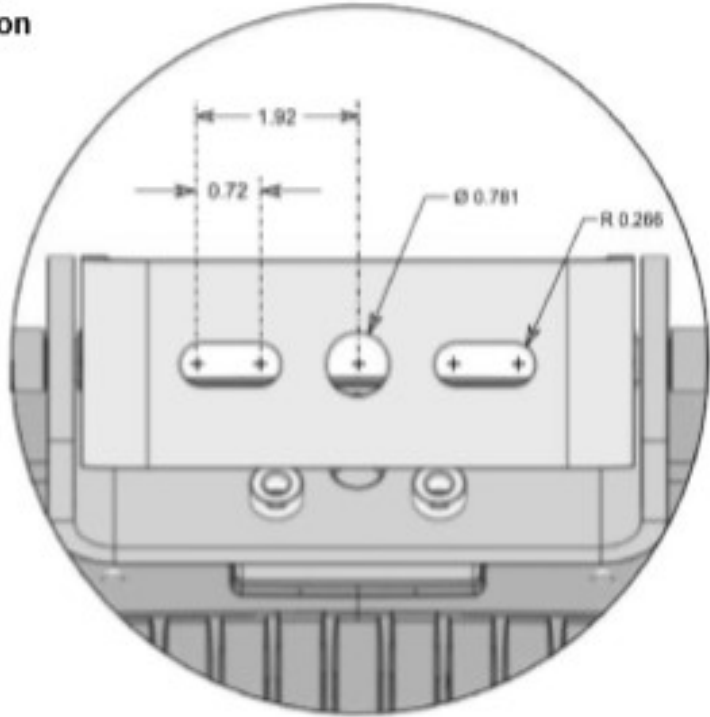


Adjustment Bolt and aiming indicator lines

YK - Yoke Mount - (Cont'd)



OK to mount floodlight "down"



Note: Dimensions not to scale. For dimensional purposes only.

Opening Glass Door Frame

Note: Procedure to open glass door frame is the same on slip fitter and yoke mount fixtures.

STEP 1:

Loosen two captive screws on either side of top rear floodlight cast housing.

STEP 2:

Rotate glass door frame down to fully open position as shown here.

STEP 3:

After servicing luminaire, carefully rotate glass door frame up into closed position and retighten screws loosened in Step 1.

