

Day-Brite CFI

by  Signify



Special Application

Kleenseal LED
KTR 100

Recessed cleanroom 4,000,
6,000, 9000, 11,000,
or 13,000 lumens



Project: _____
 Location: _____
 Cat.No: _____
 Type: _____
 Lamps: _____ Qty: _____
 Notes: _____

Day-Brite / CFI Kleenseal LED KTR 100 recessed cleanroom luminaire is well suited for laboratories and dirty areas such as locker rooms.

Ordering guide

Example: K12490L840G6AP3U

Family	Size	Lumens	CRI/CCT	Ceiling Type	Door Frame	Lens Type	Voltage	Options
<input type="text" value="K1"/>					<input type="text" value="6"/>		-	
K1 Kleenseal KTR100	14 1x4 22 2x2 24 2x4	40L 4,000 nominal delivered lumens (1x4, 2x2) 60L 6,000 nominal delivered lumens (1x4, 2x2) 90L 9,000 nominal delivered lumens (2x4) 110L 11,000 nominal delivered lumens (2x4) 130L 13,000 nominal delivered lumens (2x4)	835 3500K (CRI 80) 840 4000K (CRI 80) 850 5000K (CRI 80)	G 1",1-1/2" Grid T 2G 2" Grid T F Flange	6 Aluminum 4-piece flush white	AP3 .125" acrylic prismatic VPL Sealed louver Other lenses available	U Universal voltage, 120-277V 1 120V 2 277V	DN Lens furnished prisms down SSD Stainless steel inset door

General Notes

- Many luminaire components, such as reflectors, refractors, lenses, sockets, lampholders, and LEDs are made from various types of plastics which can be adversely affected by airborne contaminants. If sulfur based chemicals, petroleum based products, cleaning solutions, or other contaminants are expected in the intended area of use, consult factory for compatibility.

Predicted L70 Lifetime

- 25°C ambient >100,000 hours (based upon LED manufacturer's supplied LM-80 data and in-situ laboratory testing).

K1 Kleenseal LED KTR 100 recessed

Cleanroom luminaire, 4,000, 6,000, 9,000, 11,000, or 13,000 lumens

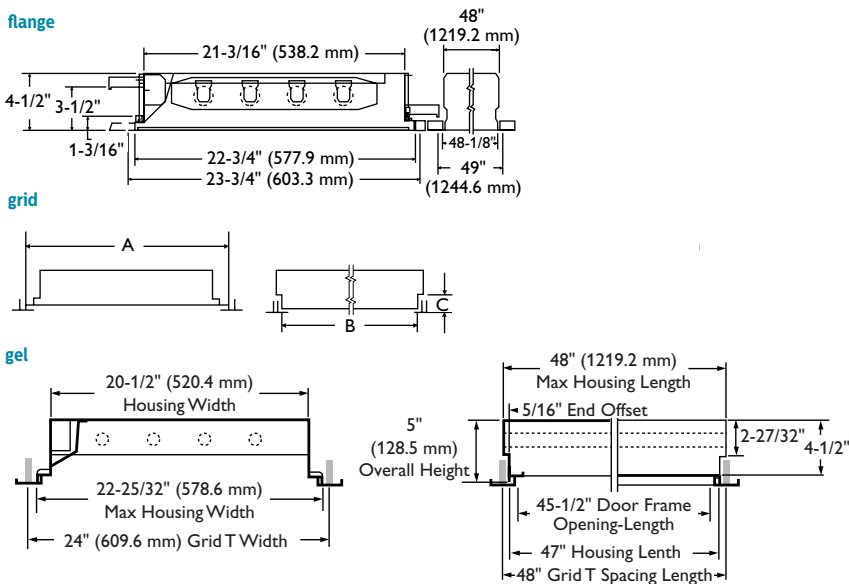
Standards

- Certified to meet UL 1598 standards for wet location.

Construction/Finish

- Sealed aluminum housing resists corrosion and is lightweight which speeds installation.
- Fits 1", 1-1/2", 2", and Tall 2" grid or flange mountings.
- Top and end 1/2" conduit K.O.s for easy thru wiring.
- Seismic support mounting is standard.
- Removable sealed wiring access plate.
- Door is secured to housing with captive stainless steel screws.
- Door frame is retained to housing when opened for safety and ease during re-lamping.
- .125" prismatic acrylic lens is silicone sealed to flush aluminum door frame.
- Class 100-100,000 cleanrooms.

Dimensions



Note: For technical information or codes and classifications, see PDFs Tech1-Tech5 online.

Ceiling Opening Flange Type

1X4	10-3/4" X 48-1/8"
2X2	22-3/4" X 24-1/8"
2X4	22-3/4" x 48-1/8"

Grid Type

1" or 1-1/2" Grid
2" Grid

A

23-3/4" (603.3 mm)
23-3/4" (603.3 mm)

B

47-3/4" (1212.9 mm)
47" (1194 mm)

C

1-11/16"
1-11/16"

