

Day-Brite

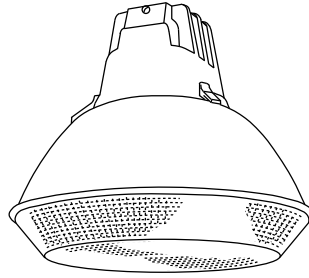
CFI

by  Signify

Industrial

LBF low bay

food processing
175-400W MH or HPS
175-400W PSMH



Project: _____
 Location: _____
 Cat.No: _____
 Type: _____
 Lamps: _____ Qty: _____
 Notes: _____

Day-Brite / CFI LBF low bay is a high efficiency, hose down rated luminaire for use in USDA (non food zone) areas.

Ordering guide

Example: **LBF400PMT-PSC-OR FRA**

Ballast Assembly	Wattage	Lamp Source	Voltage	Options	Optical Assembly
LBF			—		
LBF	175 175 ⁴ 200 200 ³¹ 250 250 320 320 ^{1,30} 350 350 ^{1,30} 400 400	M Metal Halide S High Pressure Sodium P Pulse Start Metal Halide (PSC ballasts option must be specified to comply with EISA for 175W-450W)	12 120 20 208 24 240 27 277 34 347 48 480 MT 120/208 240/277 TT 120/277 347	CUL UL Listing to meet CSA standards OR Option required for metal halide and pulse start metal halide lamps (exclusionary "pink" socket) PSC Pulse Start CWA Ballast Q Quartz Standby QEM Quartz Emergency ⁴⁰ QTD Quartz Time Delay 55 55°C Ambient	FRA Food processing reflector, acrylic lens FRP Food processing reflector, polycarbonate lens

Accessories (order separately)

- **CHWL** Cover Half for Power Hook (use with PBWL) Wet Location
- **PBWL** Power Box for Power Hook (use with CHWL) Wet Location
- **SCB3** Ballast Retainer Chain 3'
- **SCOP** Optical Retainer Chain
- **WGBRA/CRA** Wire Guard

(Refer to Section 18000 for additional accessories.)

Footnotes

- ¹ Not available in 480V
- ⁴ Not available in High Pressure Sodium
- ³⁰ Pulse Start Metal Halide only
- ³¹ Not available in standard Metal Halide
- ⁴⁰ Requires 120 volt secondary power supply

General Notes

- Mogul base lamp only.
- All accessories are field installed.
- All options factory installed.
- Ballast assembly and optical assembly to be ordered and shipped separately.
- Many luminaire components, such as reflectors, refractors, lenses, sockets, lampholders, and LEDs are made from various types of plastics which can be adversely affected by airborne contaminants. If sulfur based chemicals, petroleum based products, cleaning solutions, or other contaminants are expected in the intended area of use, consult factory for compatibility.

- **Warning:** Refer to and follow the lamp manufacturer's warnings and instructions.



Standard Metal Halide
Between 175W and 400W
Not available in USA



LBF Low bay

175–400W MH or HPS, 175–400W PSMH

Application

- The Day-Brite / CFI LBF low bay is a high efficiency, hose down rated luminaire for use in USDA (non food zone) areas.

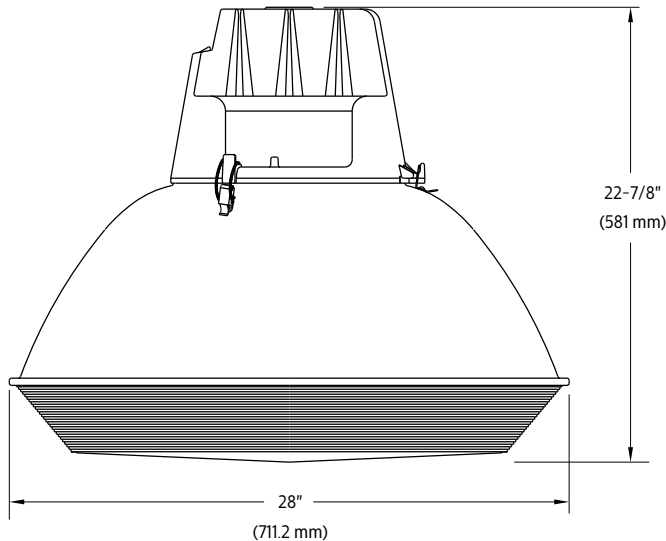
Construction/Finish

- UL 1598 Listed suitable for wet location and 40°C ambient for all lamp wattages listed. NSF Certified for Non Food Zone areas.
- Use "O" rated, protect metal halide lamps only.
- 3/4" threaded cast aluminum nut and hub for easy, positive mounting.

- Heavy wall, one piece die cast aluminum housing with white polyester powder finish.
- Day-Brite "Slant 2" ballast mounting for cooler operation. Ballast has high temperature class H insulation and a minimum starting temperature of -40°C (-40°F) for HPS and Pulse Start MH or -30°C (-20°F) for MH.
- Heavy duty gasket withstands 1200 psi hose down spray at 12 inches.
- Corrosion resistant stainless steel latches.

- Precision spun heavy gauge aluminum reflector coated inside and out with highly reflective (90-92%) white polyester powder finish. Paint material is biodegradable and USDA approved.
- One piece injection molded lens; 3/16" minimum thickness of 100% virgin acrylic for excellent brightness control and high efficiency. UL Listed for Metal Halide arc tube containment.
- Large wiring access with captive retainer screw.

Dimensions



Energy Data

HIGH PRESSURE SODIUM

CWA BALLAST INPUT WATTS

200 watt–240 watts
250 watt–295 watts
400 watt–464 watts

METAL HALIDE

CWA BALLAST INPUT WATTS

175 watt–210 watts
200 watt–232 watts
250 watt–295 watts
320 watt–368 watts
350 watt–400 watts
400 watt–458 watts

LBF Low bay

175-400W MH or HPS, 175-400W PSMH

Photometry

LBF 400W MH FRA																							
WIDE SPREAD S/MH = 2.0																							
TEST NO. 17309																							
DISTRIBUTION CURVE	COEFFICIENTS OF UTILIZATION										AVERAGE BRIGHTNESS				ZONAL SUMMARY			CANDLEPOWER					
	EFFECTIVE FLOOR CAVITY REFLECTANCE 20 PER (pfc=0.20)										ZONE	END	45	CROSS	Degrees	Lumens	% Lamp	% Fixture	Angle	Avg. Candela	Angle	Avg. Candela	
	CEIL	80	70	50	30	10					45	20909	19898	21408	(0-30)	6206	15.5	18.6	0	6192	95	635	
	WALL	70	50	30	10	70	50	30	10	50	30	10	50	30	10	50	30	10	50	30	10	50	30
	RCR	0	98	98	98	96	96	96	91	91	86	86	86	82	82	82	82	82	82	82	82	82	82
	1	89	85	81	77	86	82	79	76	78	75	72	74	72	70	70	69	67					
	2	80	73	67	62	78	71	65	61	67	63	59	64	60	57	61	58	55					
	3	73	63	56	50	70	62	55	50	59	53	48	56	51	47	53	49	46					
	4	66	55	48	42	64	54	47	41	51	45	40	49	44	39	47	42	38					
	5	60	49	41	35	58	48	40	35	46	39	34	43	38	33	41	37	33					
	6	55	44	36	30	53	43	35	30	41	34	29	39	33	29	37	32	28					
	7	51	39	31	26	49	38	31	26	37	30	25	35	29	25	34	28	24					
	8	47	35	28	23	46	35	28	23	33	27	22	32	26	22	30	25	21					
	9	44	32	25	20	42	31	25	20	30	24	20	29	23	19	28	23	19					
	10	41	29	23	18	40	29	22	18	28	22	18	27	21	17	26	21	17					
COMPARATIVE YEARLY LIGHTING ENERGY COST PER 1000 LUMENS = \$3.29 BASED ON 3000 HRS. AND \$.08 PER KWH. LER=73														35	8469	135	14						
														45	8767	145	0						
														55	6855	155	0						
														65	4063	165	0						
														75	2131	175	0						
														85	1042								
These photometric results were obtained in the Philips Day-Brite Lighting Laboratory which is NVLAP accredited by the National Institute of Standards and Technology.																							

ADDITIONAL TEST NUMBERS

DESCRIPTION	S/MH	TEST NUMBER
LBF250M-FRA	1.7	17337
LBF400S-FRA	1.8	17310
LBF250S-FRA	1.8	17310-1P



Some luminaires use fluorescent or high intensity discharge (HID) lamps that contain small amounts of mercury. Such lamps are labeled, "Contain Mercury" and/or the symbol "HG". Lamps that contain mercury must be disposed of in accordance with local requirements. Information regarding lamp recycling and disposal can be found at www.lamprecycle.org

