

IS-LLAVRM-FIK ALCYON LED VERTICAL CYLINDER RECESSED LIGHTING FRAME-IN KIT

Read and understand these instructions before installing luminaire.

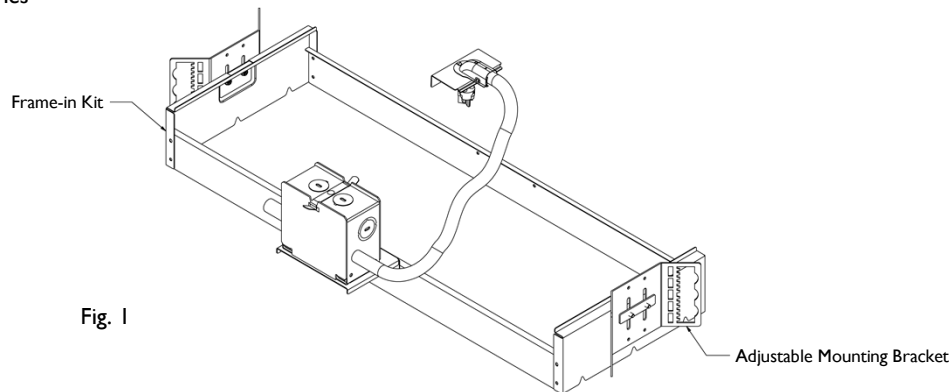
This luminaire is intended for installation in accordance with the National Electrical Code and Local Regulations. To assure full compliance with local codes and regulations, check with your electrical inspector before installation. To prevent electrical shock, turn off electricity at fuse box before proceeding.

Retain these instructions for maintenance reference.

CAUTION: (RISK OF FIRE) DO NOT INSTALL INSULATION WITHIN 3 INCHES OF FIXTURE SIDES OR WIRING COMPARTMENT, NOR ABOVE FIXTURE IN SUCH A MANNER THAT ENTRAPS HEAT.

Items needed for installation:

1. Phillips and flat head screwdriver or alternatively 1/4" socket end driver
2. Mounting bars (Cat #1950 or #1951) and anchor clips for T-grid install (Cat #1958), 1-1/2" Channel bar (customer supplied), or 1/2" EMT (customer supplied)
3. LLAVRM FIK Series



Step 1:

Frame-in kit (FIK) has adjustable mounting brackets (Fig. 1) located on both ends and can be mounted within the ceiling with the following methods. Mounting bars, 18" (#1950) or 27" (#1951), and 1-1/2" channel bar is used for T-grid (Fig. 2A and Fig. 2B respectively). When mounting in T-grid ceilings with mounting bars, be sure to use anchor clips or safety wire as shown in Fig. 4A and Fig. 4B. Finally, 1/2" EMT (Fig. 2C) can be used as the installer sees fit for other installations that may occur. When using adjustable mounting brackets to limit FIK's linear movement, bend the bracket as shown in Fig. 3. Mount the FIK accordingly.

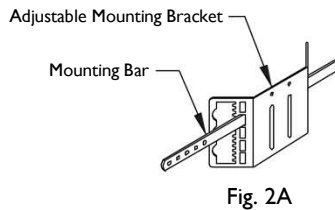


Fig. 2A

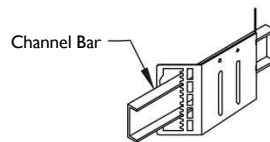


Fig. 2B

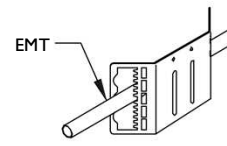


Fig. 2C

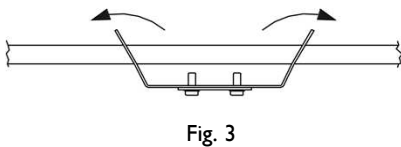


Fig. 3

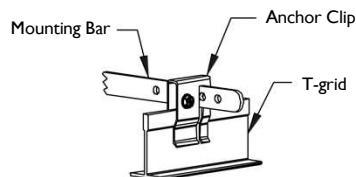


Fig. 4A

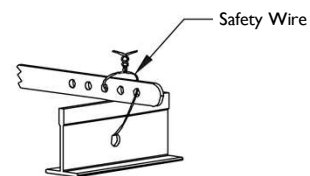


Fig. 4B

NOTE: TO INSURE PROPER INSTALLATION, IT IS IMPORTANT LLAVRM FIK ALWAYS BE SECURED TO STRUCTURAL CEILING MEMBERS

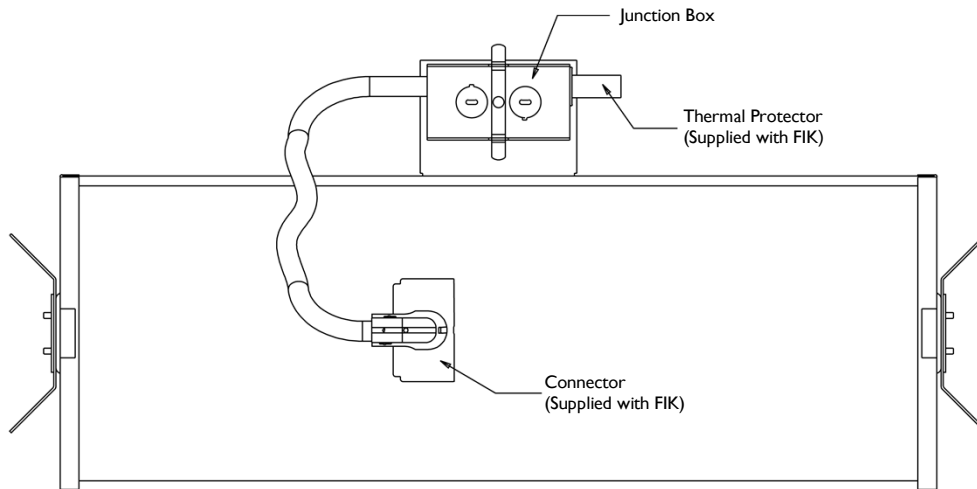
Rev. B

IS-LLAVRM-FIK ALCYON LED VERTICAL CYLINDER RECESSED LIGHTING FRAME-IN KIT

Step 2:

Wire to supply leads

Thermal Protector is pre-wired from the factory. Do not remove any wire nuts. Connect white fixture lead to neutral supply lead. Connect black (120V FIK) or red (277V FIK) fixture lead to hot supply lead. Connect bare copper and green fixture ground wires to supply ground. Use wire nuts (local hardware item). Place all electrical connections in the Junction Box and close the Junction Box doors.



Step 3:

After the ceiling material has been installed, use the screws on both sides to adjust FIK to have it flush to the ceiling or 1/16" maximum above ceiling surface as seen in Fig. 5. FIK installation is complete.

Reference Table FIK Cutout

LLAVRM1 SERIES SIZES

FIK	W	L
H1	7-1/8"	7-1/8"
H2	7-1/8"	13"
H3	7-1/8"	19"
H4	7-1/8"	25"

LLAVRM2 SERIES SIZES

FIK	W	L
H1	9"	9"
H2	9"	16-3/4"
H3	9"	24-5/8"
H4	9"	32-1/2"

Rev. B

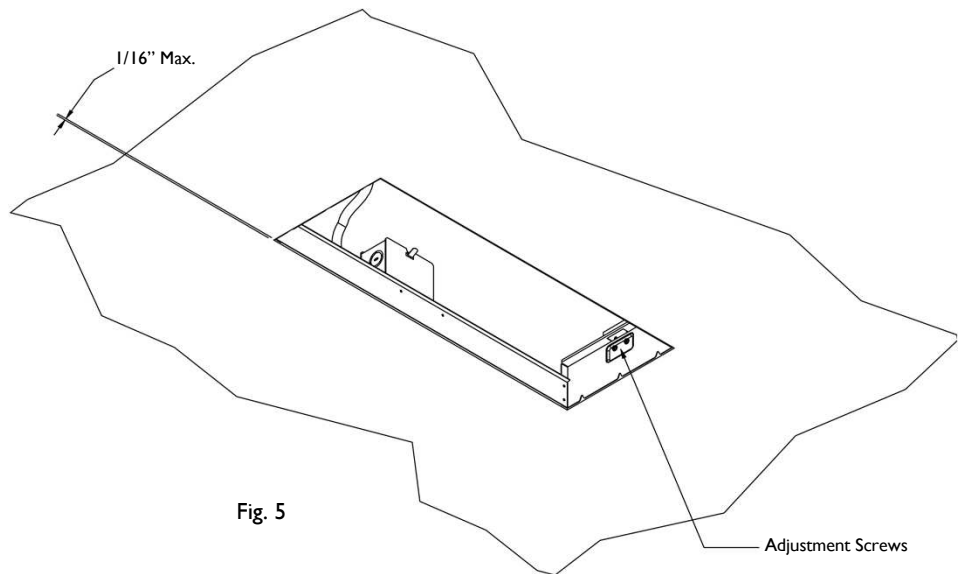


Fig. 5

Adjustment Screws



© 2014 Koninklijke Philips N.V. All rights reserved.
Specifications are subject to change without notice.
www.philips.com/luminaires

IS-LLAVRM-FIK 02/14 page 2 of 2

Philips Lighting
North America Corporation
200 Franklin Square Drive
Somerset, NJ 08873
Phone: 855-486-2216

Philips Lighting Company
281 Hillmount Road
Markham ON, Canada L6C 2S3
Phone: 800-668-9008