

**Read and understand these instructions before installing luminaire.**

This luminaire is intended for installation in accordance with the National Electrical Code and local regulations. To assure full compliance with local codes and regulations, check with your local electrical inspector before installation. To prevent electrical shock, turn off electricity at fuse box before proceeding. Allow fixture to cool before handling.

**Retain these instructions for maintenance reference.**

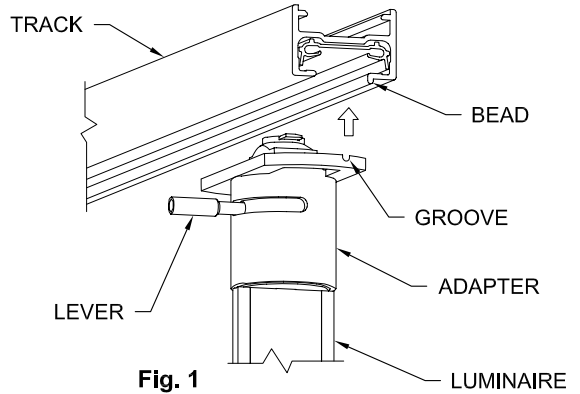
**INSTRUCTIONS FOR ATTACHING 22OR2, 22OR3, 22OR8, 22SS2, 22SS3, AND 22SS8 TO LYTESPAN® TRACK SYSTEM. FOR USE WITH LYTESPAN® TRACK SYSTEMS ONLY.**

**A. INSTALLING LUMINAIRE ON TRACK AND LYTESPAN ACCESSORIES.**

Luminaires may be installed on ceiling mounted track, horizontal and vertical wall mounted track, and suspended track.

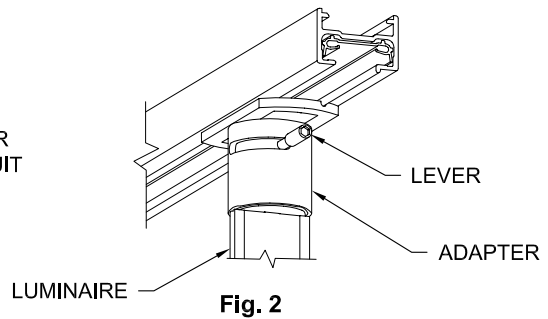
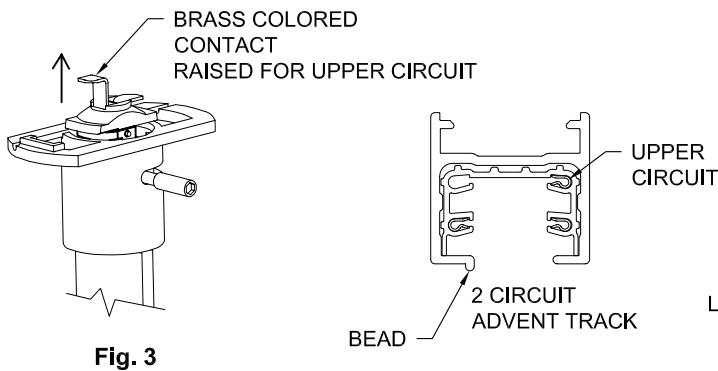
1. Position LEVER as shown in Fig. 1.
2. Align GROOVE in ADAPTER with BEAD. Fig 1.
3. Push ADAPTER against TRACK or accessory.
4. Turn LEVER 90° to make electrical and mechanical connection. Fig. 2.

To remove luminaire from TRACK or accessory. Rotate LEVER clockwise 90° while holding luminaire.



**B. INSTRUCTIONS FOR CONVERTING LUMINAIRE TO OPERATE ON UPPER CIRCUIT OF 2 CIRCUIT ADVENT® TRACK.**

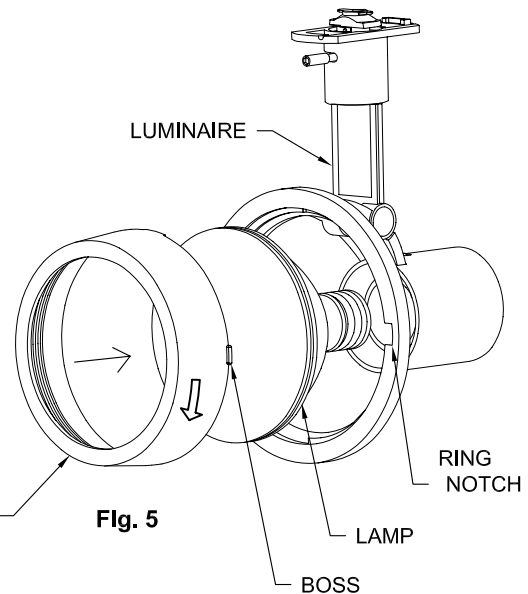
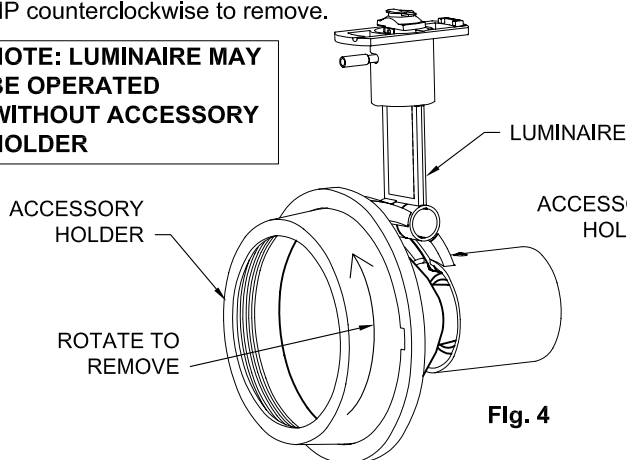
1. Pull BRASS COLORED CONTACT up until it stops. Fig. 3
2. Follow instruction "A" to install luminaire into Advent Track.



**C. INSTRUCTIONS FOR LAMPING OPEN RINGS 22OR2, 22OR3, 22OR8.**

1. Remove ACCESSORY HOLDER by turning counterclockwise. Fig. 4
2. Screw LAMP into LUMINAIRE. Fig. 5. See lamp compatibility chart.
3. Install accessories if needed in ACCESSORY HOLDER. See instruction E.
4. Attach ACCESSORY HOLDER to Luminaire by aligning BOSS with RING NOTCH. Turn ACCESSORY HOLDER clockwise. Fig. 5.
5. To remove LAMP. Remove ACCESSORY HOLDER Fig 4. Rotate LAMP counterclockwise to remove.

**NOTE: LUMINAIRE MAY BE OPERATED WITHOUT ACCESSORY HOLDER**

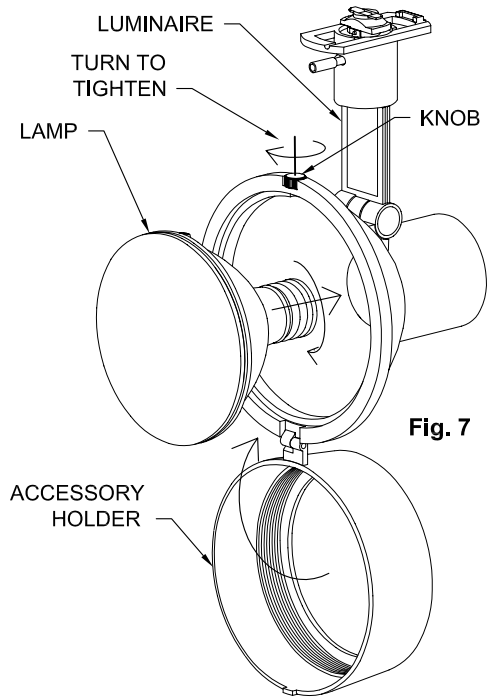
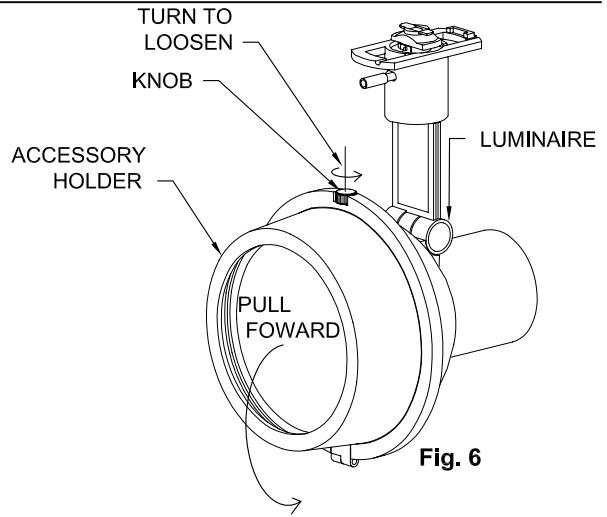
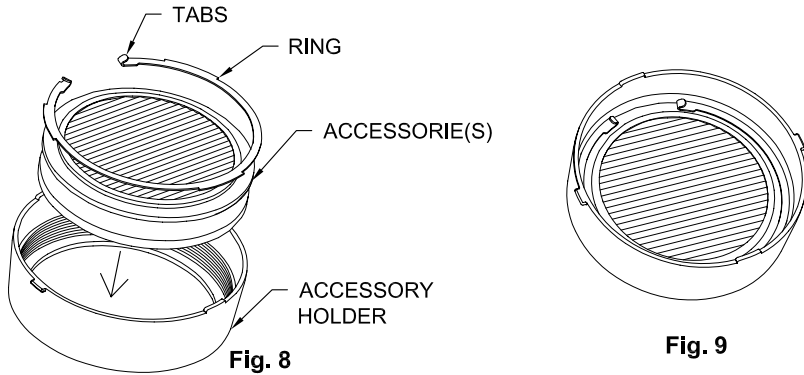


**D. INSTRUCTIONS FOR LAMPING ENCLOSED LUMINAIRES 22SS2, 22SS3, 22SS8.**

1. Pivot ACCESSORY HOLDER away from LUMINAIRE by turning KNOB counterclockwise a few turns while pulling ACCESSORY HOLDER forward. Fig. 6.
2. Screw LAMP into LUMINAIRE. Fig. 7. See lamp compatibility chart.
3. Install accessories if needed in ACCESSORY HOLDER. See instruction E.
4. Pivot ACCESSORY HOLDER toward LUMINAIRE. Tighten KNOB by turning clockwise while holding ACCESSORY HOLDER against LUMINAIRE. Fig. 7.
5. To remove LAMP. Follow instruction 1. Turn lamp counterclockwise to remove.

**E. INSTRUCTIONS FOR INSTALLING ACCESSORIES. (2) ACCESSORIES MAX. PER ACCESSORY HOLDER. SEE LAMP COMPATIBILITY CHART.**

1. Remove RING by squeezing TABS and lifting out from ACCESSORY HOLDER. Fig 8.
2. Place ACCESSORIE(S) into ACCESSORY HOLDER.
3. Install RING to secure ACCESSORIE(S) by squeezing TABS while pressing RING down against ACCESSORIES. Release TABS. Fig.9



**LAMP COMPATIBILITY CHART**

LUMINAIRE	LAMP (120V) INCANDESCENT/HALOGEN	MAX WATTAGE	ACCESSORY SERIES
22OR2 22SS2	PAR20	50W	AF25*, ADF25, AL25HC
22OR3 22SS3	PAR30 SHORT NECK PAR30 IR SHORT NECK	75W 50W IR	AF3*, ADF3, AL3HC
22OR8	PAR38^ PAR38 IR PAR38 COOL BEAM	250W no accessories. 150W with accessories 100W with accessories 90W with accessories	AF4*, ADF4,AL4HC
22SS8	PAR38^ PAR38 IR PAR38 COOL BEAM	150W 100W 90W	AF4*, ADF4,AL4HC

\* IR LENS COMPATIBLE FOR ALL SIZES.  
^ NOT COMPATIBLE WITH HEAT LAMPS.

**F. AIMING ADJUSTMENT FOR LUMINAIRE.**

**NOTE: LUMINAIRE HAS BUILT-IN STOPS THAT LIMIT THE ADJUSTMENT. DO NOT FORCE LUMINAIRE AGAINST THE STOP. DOING SO WILL DAMAGE THE LUMINAIRE AND CREATE A HAZARDOUS CONDITION.**

**CAUTION: LUMINAIRE IS HOT WHEN OPERATING AND MUST NOT BE HANDLED WITHOUT PROPER PROTECTION.**

1. Rotate Luminaire in the horizontal and vertical direction to desired aiming location.

