

**Read and understand these instructions before installing luminaire (fixture).**

This luminaire is intended for installation in accordance with the National Electrical Code and local regulations. To assure full compliance with local codes and regulations, check with your local electrical inspector before installation. To prevent electrical shock, turn off electricity at fuse box before proceeding. Allow fixture to cool before handling.

**Retain these instructions for maintenance reference.**

**INSTRUCTIONS FOR INSTALLING AND OPERATING LLABS\_\_J SERIES LUMINAIRES.  
FOR USE WITH 120V JUNO T, TU AND R SERIES OR CONTECH LT SERIES TRACK SYSTEMS ONLY.**

Juno is a registered trademark of Juno Manufacturing, Inc.

Con-Tech is a registered trademark of Conservation Technology, LLC.

- Compatible with ceiling, wall and suspended mounted track.
- Compatible with certain types of dimmers. See specification sheet LLABS for compatible dimmers.
- Compatible with AL3HC hex cell louver, 23SN30 Snoot, ADF3 and AF3 series lenses when used with Accessory holder LLABSAHBK. Sold separately.
- Note: Using color lens will project color light on ceiling.**
- **CAUTION: HOT SURFACE.** Keep away from curtains and any other combustible materials.
- **CAUTION: Turn power off and allow fixture to cool before handling.**
- **CAUTION: No consumer serviceable parts. Contact factory if service is required.**
- **CAUTION: For use in dry locations only.**

**INSTRUCTIONS FOR ATTACHING LUMINAIRE TO TRACK.**

**A. ADAPTER: (BASIC TRACK), FIG.4**

1. Turn off power to TRACK and put SWITCH on luminaire in off position.
2. Insert luminaire into TRACK as shown in FIG. 1. Arrows on ADAPTER on GROOVE side of track.
3. Rotate ADAPTER clockwise 90° until LOCKING TAB snaps into track. FIG. 2.
4. TO REMOVE: Pull down LOCKING TAB and rotate ADAPTER counterclockwise.

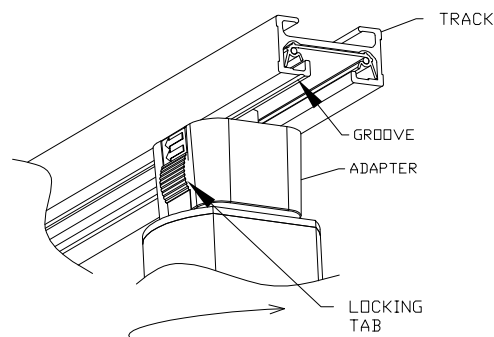


FIG. 1

**B. ADAPTER: (2 CIRCUIT TRACK), FIG.5**

**TO POWER ON UPPER CIRCUIT:**

1. Raise "P" CONTACT (labeled "P") to high position by pulling CONTACT as high as stop permits (See FIG.3).
2. Follow instructions above for installing into track.

**TO POWER ON LOWER CIRCUIT:**

1. Ensure CONTACTS are at the same level. Push down contacts if needed.
2. Follow instructions above for installing into track.

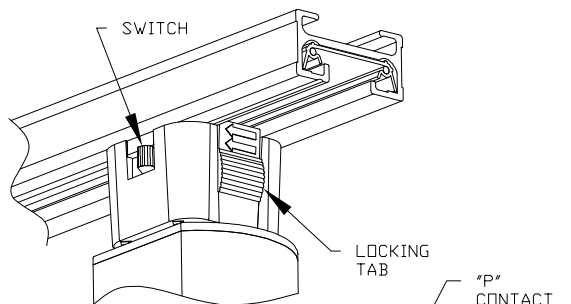


FIG. 2

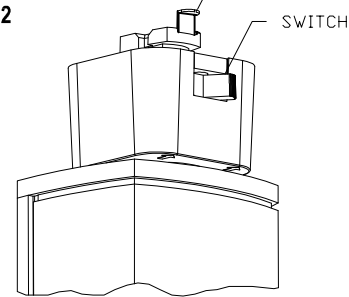


FIG. 3

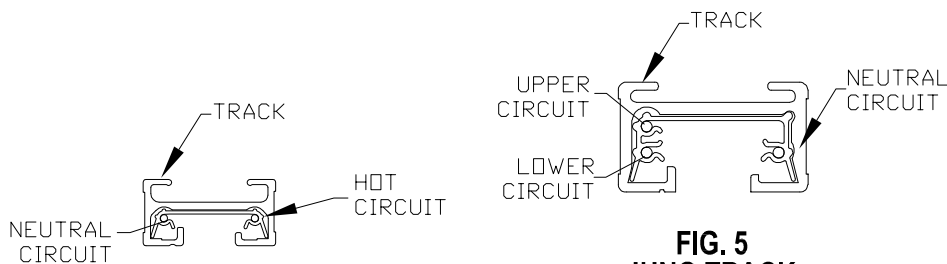
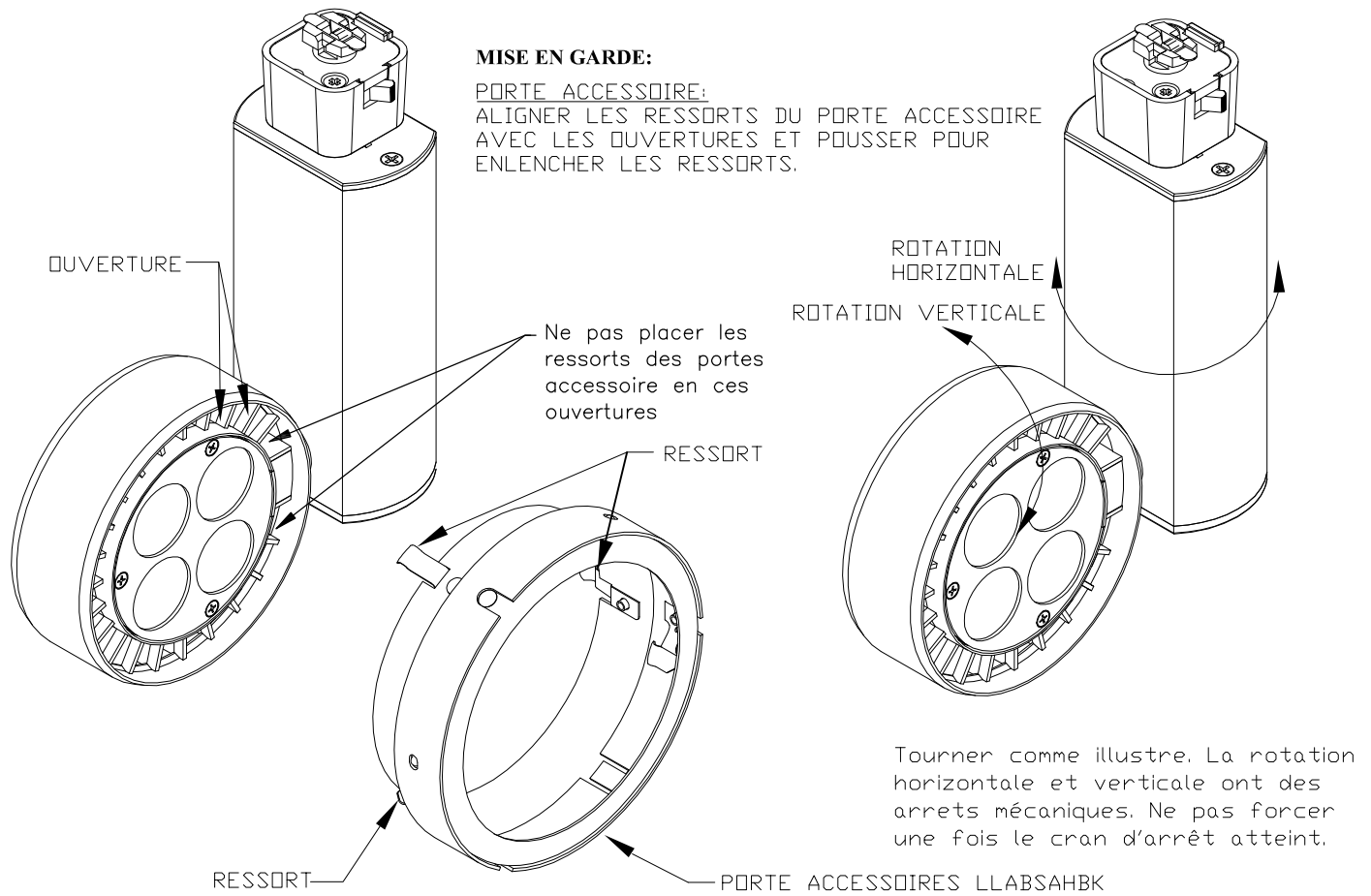


FIG. 5  
JUNO TRACK  
(2 CIRCUIT)

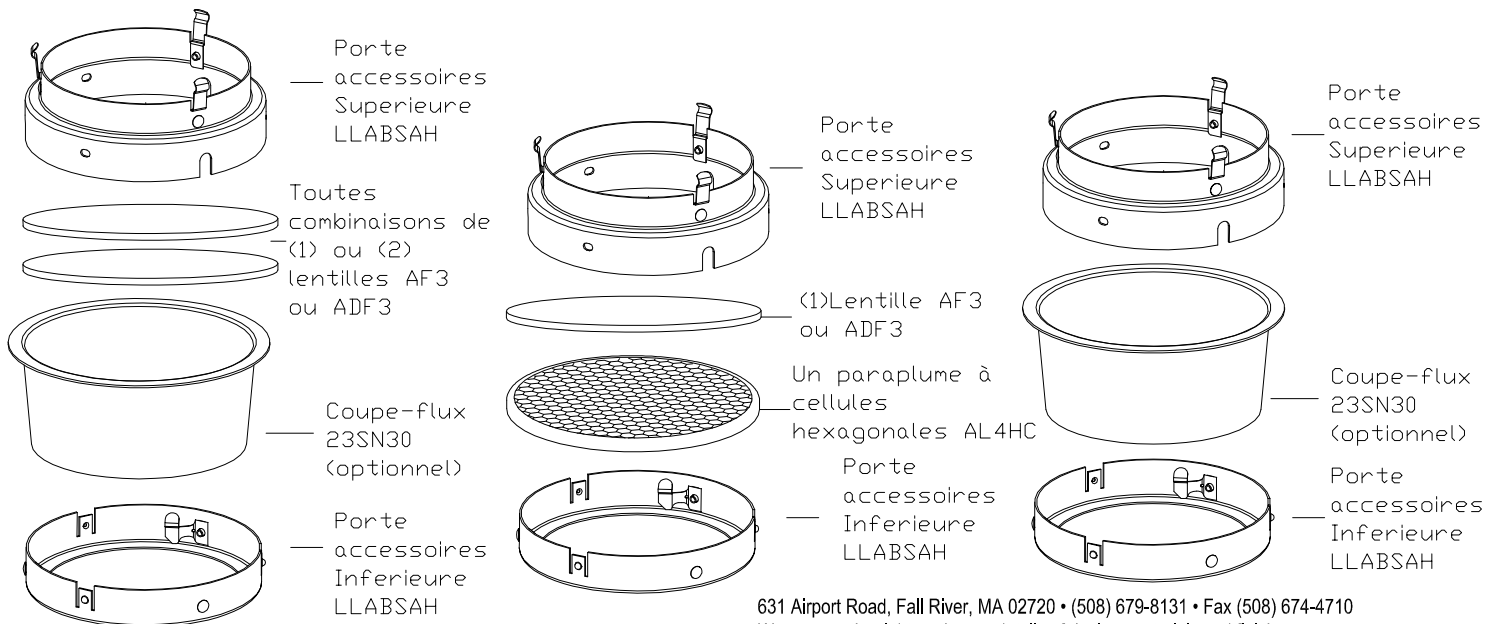
FIG. 4  
JUNO TRACK







## LES COMPATIBILITÉS DU PORTE ACCESSOIRES LLABSAH



631 Airport Road, Fall River, MA 02720 • (508) 679-8131 • Fax (508) 674-4710  
 We reserve the right to change details of design, materials and finish.  
 www.lightolier.com © 2011 Philips Group • A0012