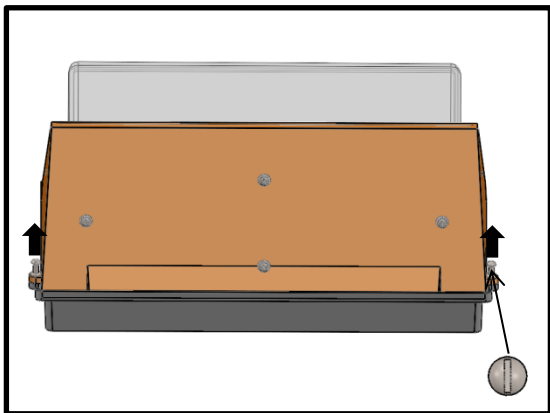


INSTALLATION INSTRUCTIONS

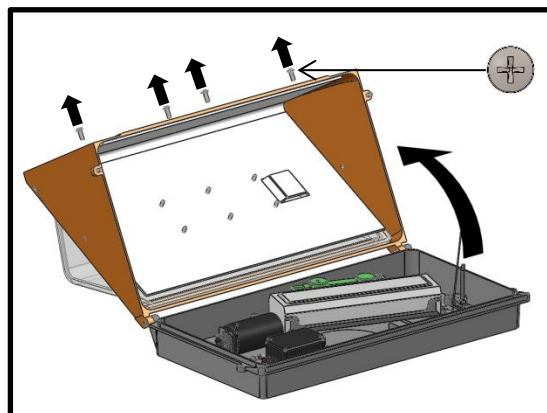
WP LENS REPLACEMENT

Signify North America Corporation
200 Franklin Square Drive
Somerset N.J. 08873, USA

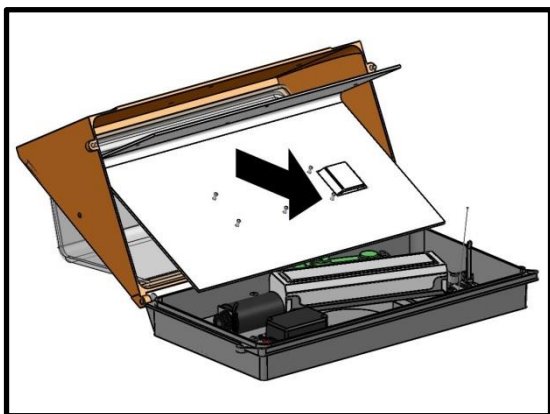
Signify Canada Ltd./Signify Canada Ltée.
281 Hillmount Road,
Markham, ON, Canada L6C 2S3



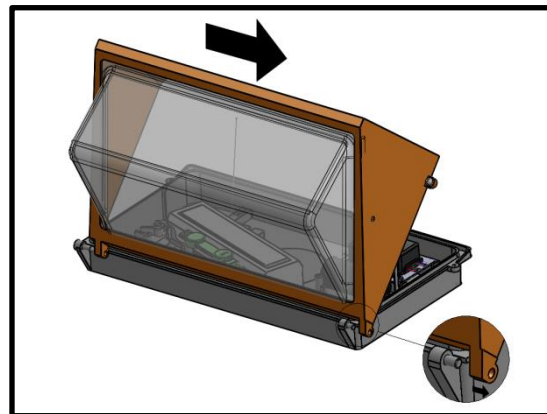
STEP 1: Loosen captive screws to open lens frame.



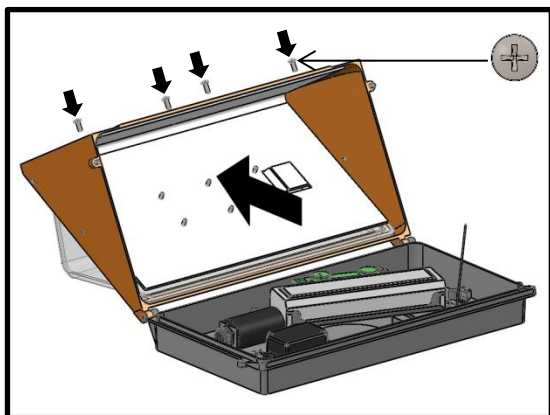
STEP 2: Open lens frame. Remove screws that attach the heatsink to the lens frame.



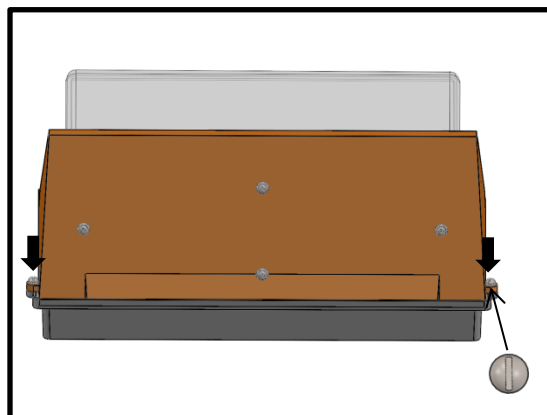
STEP 3: Remove heatsink from lens frame. Do not disconnect LED board wires from driver.



STEP 4: Remove the wire retainer assembly (not shown). Slide lens frame to the right until the lens frame becomes unhinged. Replace old lens frame with new lens frame and re-attach the wire retainer assembly.



STEP 5: Attach the heatsink to the new lens frame using the #10-24 x 1/2" screws and new sealing washers (provided).



STEP 6: Close the lens frame and tighten the screws to fasten the lens frame to the housing.

© 2018 Signify Holding. All rights reserved. This document contains information relating to the product portfolio of Signify which information may be subject to change. No representation or warranty as to the accuracy or completeness of the information included herein is given and any liability for any action in reliance thereon is disclaimed. The information presented in this document is not intended as any commercial offer and does not form part of any quotation or contract. All trademarks are owned by Signify Holding or their respective owners.