

Day-Brite

CFI

by @signify

443581589770

ALE

Carewell ECO Bed Light

CAUTION: THE INSTALLATION AND SERVICING OF THIS PRODUCT SHOULD BE PERFORMED BY A QUALIFIED ELECTRICIAN OR SERVICE PERSONNEL

ATTENTION : L'INSTALLATION ET L'ENTRETIEN DE CE PRODUIT DOIVENT ÊTRE EFFECTUÉS PAR UN ÉLECTRICIEN OU UN MEMBRE DU PERSONNEL QUALIFIÉ.



CAUTION! – READ THIS FIRST --- IMPORTANT SAFETY INSTRUCTIONS

* Carefully read the instructions pertaining to your fixture. IF YOU HAVE ANY QUESTIONS REGARDING THE PROPER INSTALLATION OR LOCAL CODES, CONSULT A QUALIFIED ELECTRICIAN.

* This fixture may employ a grounded receptacle and is not intended for connection to a two-wire, ungrounded source supply.

* Injury to persons and damage to the fixture and/or mounting surface may result if the fixture is pulled from the surface. To reduce the likelihood of such injury or damage, mount only on a surface that is mechanically sound.

* To avoid shock hazard, do not work with live electrical wires.

* Install the fixture in only dry, indoor applications.

* Do not install outdoors or in applications other than the intended use.

* Install and wire the fixture in locations in accordance with all national, state and local codes.

⚠ WARNING: THIS PRODUCT MUST BE INSTALLED IN ACCORDANCE WITH THE APPLICABLE INSTALLATION CODE BY A PERSON FAMILIAR WITH THE CONSTRUCTION AND OPERATION OF THE PRODUCT AND THE HAZARDS INVOLVED.

⚠ WARNING: RISK OF FIRE, MINIMUM OF 90°C SUPPLY CONDUCTORS. CONSULT A QUALIFIED ELECTRICIAN TO ENSURE CORRECT BRANCH CIRCUIT CONDUCTOR.

⚠ WARNING: TO AVOID SHOCK HAZARD DISCONNECT THE POWER AT THE PANEL BOARD (CIRCUIT BREAKER BOX).

CAUTION: Electrical luminaires are designed for permanent installation in ordinary (Non-Hazardous) locations in accordance with the National Electrical Code and all applicable local codes. Do not use in areas of limited ventilation or in high ambient enclosures. The lamp and luminaire operate at high temperatures, contact with combustible materials can cause fire and personal contact can cause severe burns.

ATTENTION: Ce luminaire a été conçu pour une installation permanente dans un emplacement régulier (non dangereux) et en conformité avec le Code électrique canadien et codes locaux applicables. Ne jamais installer dans un endroit où la ventilation est limitée ou dans des boîtiers où la température ambiante est très élevée. La lampe et le luminaire fonctionnent à des températures élevées, un contact avec des matériaux combustibles peut engendrer un incendie et un contact corporel peut causer de sévères brûlures.

PAGE 1 OF 2

@signify

JANUARY, 2019

www.day-brite.com

www.cfi-lighting.com

@2019 Signify Holding. All rights reserved. This document may be subject to change. No representation or warranty as to the accuracy or completeness of the information included herein is given and any liability for any action in reliance thereon is disclaimed. All trademarks are owned by Signify Holding or their respective owners.

Signify North America Corporation
200 Franklin Square Drive
Somerset, NJ 08873, USA
Phone: 855-486-2216

Signify Canada Ltd./Signify Canada Ltée.
281 Hillmount Road
Markham ON, Canada L6C 2S3
Phone: 800-668-9008

CAUTION: THE INSTALLATION AND SERVICING OF THIS PRODUCT SHOULD BE PERFORMED BY A QUALIFIED ELECTRICIAN OR SERVICE PERSONNEL

ATTENTION : L'INSTALLATION ET L'ENTRETIEN DE CE PRODUIT DOIVENT ÊTRE EFFECTUÉS PAR UN ÉLECTRICIEN OU UN MEMBRE DU PERSONNEL QUALIFIÉ.

OVERVIEW

Read through the entire Installation Instructions prior to beginning the installation.



A. DISASSEMBLING THE FIXTURE

1. Remove the fixture from its carton. Lay the fixture down with the Wall Mounting Plate resting on a stable and flat horizontal surface.
2. Remove the three Philips head screws that secure the front LED light assembly to the wall mounting plate. (See Figure 1)
3. Lift up the LED light assembly approx. $\frac{1}{2}$ inch to remove it from the wall mounting plate. (See Figure 1)
4. Locate the 2 orange disconnects/plugs and unplug both. Set the LED light assembly to the side.

B. INSTALLING THE FIXTURE

1. Hold the Wall Mounting Plate (shown in Figure 2) against the wall in the desired location marking ensuring the wiring access hole is positioned over the electrical box. Place a bubble level against the top edge and adjust positioning until level.
2. Using the Wall Mounting Plate as a template, mark the position of the mounting holes on the wall surface.
3. Set the Wall Mounting Plate aside and install wall anchors at the marked locations for the mounting holes. (Wall anchors and mounting screws are supplied by the Installer.) If a mounting hole aligns with the wall structure, an anchor will not be required.
4. Hold the Wall Mounting Plate up to the wall and feed the supply wiring through the access hole. Align the Wall Mounting Plate with the mounting hole locations. Install the mounting screws and tighten them to secure to the wall.
5. Lift the LED Assembly up to the mounting plate and locate the male & female orange Disconnect Plugs labeled (UP) and plug back together. Locate the male & female orange Disconnect Plugs labeled (DOWN) and plug back together. Connect the building AC power supply wires (and or customer install wall switch to the black (and or red) wire leads and the incoming neutral connected to the white wire lead. The building ground wire should be connected to the fixture ground wire with a wire nut.

6. Reverse step 3 of DISASSEMBLING THE FIXTURE to secure the LED assembly onto the Wall Mounting plate. Ensure 6 LANCE HOOKS (Figure 3) are hooked onto Wall Mounting plate. Once the LED assembly is in place, replace the 3 Philips head screws removed in step 2 of DISASSEMBLING THE FIXTURE to secure LED assembly to Wall Mounting plate.

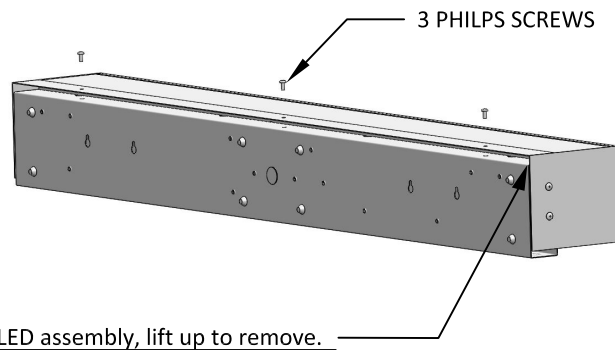


FIGURE 1

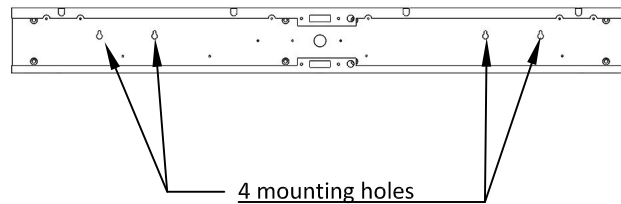


FIGURE 2

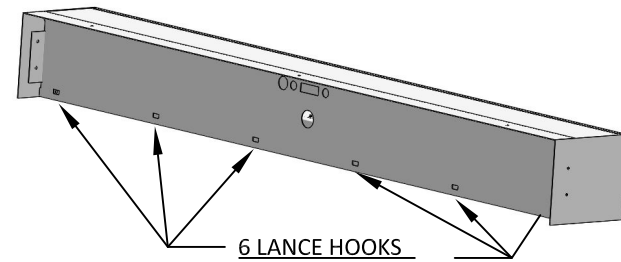


FIGURE 3

CAUTION: Electrical luminaires are designed for permanent installation in ordinary (Non-Hazardous) locations in accordance with the National Electrical Code and all applicable local codes. Do not use in areas of limited ventilation or in high ambient enclosures. The lamp and luminaire operate at high temperatures, contact with combustible materials can cause fire and personal contact can cause severe burns.

ATTENTION: Ce luminaire a été conçu pour une installation permanente dans un emplacement régulier (non dangereux) et en conformité avec le Code électrique canadien et codes locaux applicables. Ne jamais installer dans un endroit où la ventilation est limitée ou dans des boîtiers où la température ambiante est très élevée. La lampe et le luminaire fonctionnent à des températures élevées, un contact avec des matériaux combustibles peut engendrer un incendie et un contact corporel peut causer de sévères brûlures.