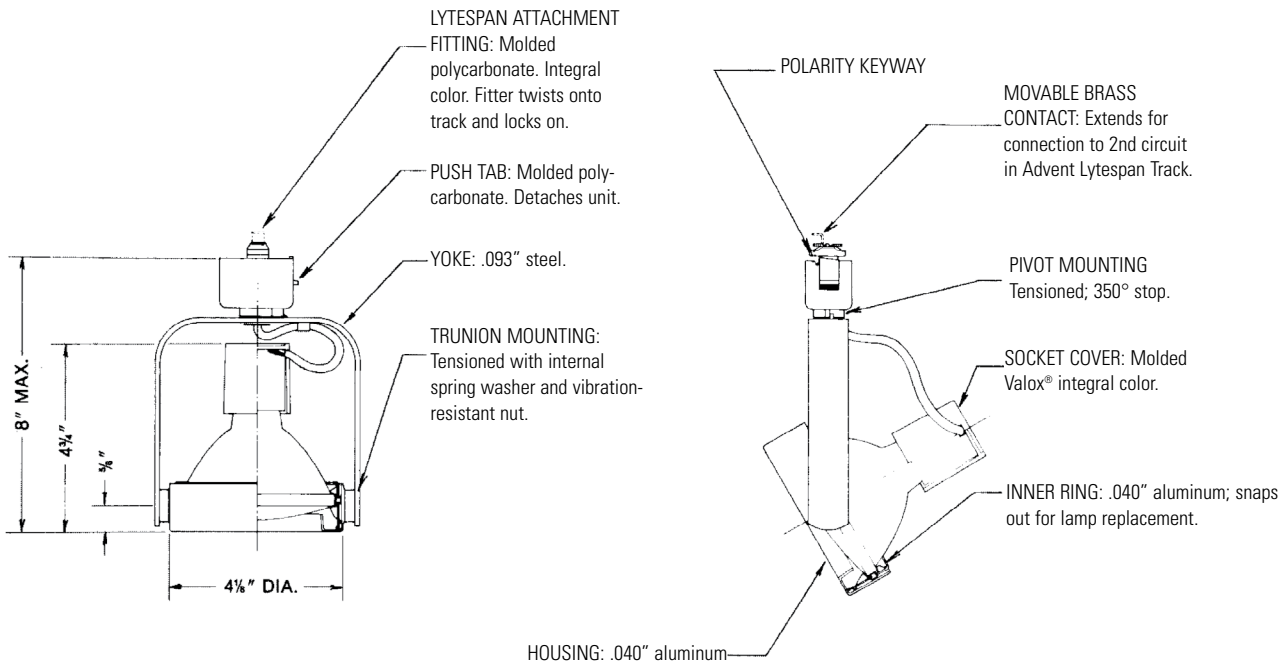


Project: _____
 Location: _____
 Cat.No: _____
 Type: _____
 Lamps: _____ Qty: _____
 Notes: _____



Catalog No.	Finishes	Mounting	Lamps
6282	Matte White	All Lytespan Track	75W PAR-30 (Tungsten-Halogen)
6283	Matte Black	Systems	

6282 Lytespot

PAR30 Ring

General Description

Minimal, functional form with clearly detailed yoke and attractive ring shaped lampholder. Fixture is specially designed to use efficient, precise controlled 75W PAR-30 tungsten halogen lamp which gives a whiter, brighter light than standard incandescent reflector and PAR lamps. With a choice of narrow flood and narrow spot beam spread, they are ideal for jewelry display, sculpture and other merchandise applications. Tensioned trunion mounting allows Lytespot to remain fixed at any angle. Unit adjusts horizontally up to 350°, vertically up to 90°.

Finish

All painted finishes baked enamel.

Electrical

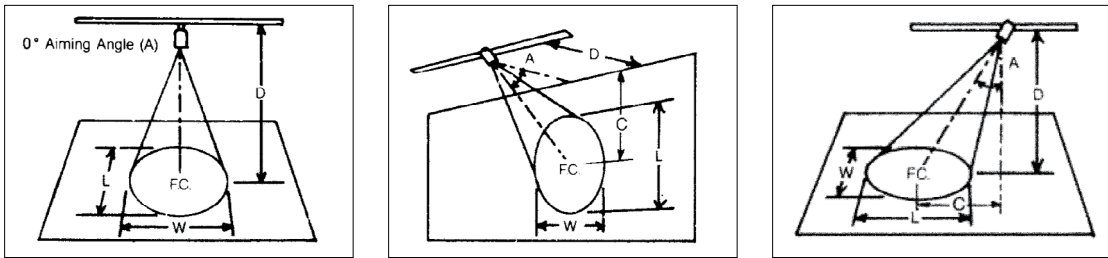
Porcelain socket, medium base, nickel plated screw shell. No. 18 braided SF-1 leads.

Labels

UL; C.S.A.; I.B.E.W.

Valox® is a trademark of General Electric.

Lighting Data



LAMP	BEAM SPREAD (To 50% Max CP)	BEAM CTR. C.P. (Candelas)	RATED LIFE (Hours)	0° AIMING ANGLE (A)				30° AIMING ANGLE (A)				45° AIMING ANGLE (A)				60° AIMING ANGLE (A)						
				DIST. ANCE (D)	F.C.	BEAM LGTH (L)	BEAM WIDTH (W)	DIST. ANCE (D)	DIST. ANCE (C)	F.C.	BEAM LGTH (L)	BEAM WIDTH (W)	DIST. ANCE (D)	DIST. ANCE (C)	F.C.	BEAM LGTH (L)	BEAM WIDTH (W)	DIST. ANCE (D)	DIST. ANCE (C)	F.C.	BEAM LGTH (L)	BEAM WIDTH (W)
50W PAR-30 NSP (T-H)	12°	6,500	2,000	6'	181	1.3'	1.3'	5'	2.9'	169	1.4'	1.2'	3'	3.0'	255	1.3'	0.9'	2'	3.5'	203	1.7'	0.8'
				8'	102	1.7'	1.7'	7'	4.0'	86	2.0'	1.7'	5'	5.0'	92	2.1'	1.5'	3'	5.2'	90	2.6'	1.3'
				10'	65	2.1'	2.1'	9'	5.2'	52	2.5'	2.2'	7'	7.0'	47	3.0'	2.1'	4'	6.9'	51	3.5'	1.7'
				12'	45	2.5'	2.5'	11'	6.4'	35	3.1'	2.7'	9'	9.0'	28	3.8'	2.7'	5'	8.7'	33	4.3'	2.1'
50W PAR-30 NFL (T-H)	32°	1,750	2,000	4'	109	2.3'	2.3'	3'	1.7'	126	2.4'	2.0'	3'	3.0'	69	3.7'	2.4'	1'	1.7'	219	3.0'	1.1'
				6'	49	3.4'	3.4'	5'	2.9'	45	3.9'	3.3'	4'	4.0'	39	5.0'	3.2'	2'	3.5'	55	6.1'	2.3'
				8'	27	4.6'	4.6'	7'	4.0'	23	5.5'	4.6'	5'	5.0'	25	6.2'	4.1'	3'	5.2'	24	9.1'	3.4'
				10'	17	5.7'	5.7'	9'	5.2'	14	7.1'	6.0'	6'	6.0'	17	7.5'	4.9'	4'	6.9'	14	12.2'	4.6'
50W PAR-30 FL (T-H)	42°	1,100	2,000	3'	122	2.3'	2.3'	3'	1.7'	79	3.2'	2.7'	2'	2.0'	97	3.6'	2.2'	1'	1.7'	138	5.5'	1.5'
				5'	44	3.8'	3.8'	5'	2.9'	45	5.4'	4.4'	3'	3.0'	43	5.4'	3.3'	2'	3.5'	34	11.0'	3.1'
				7'	22	5.4'	5.4'	7'	4.0'	15	7.5'	6.2'	4'	4.0'	24	7.2'	4.3'	3'	5.2'	15	16.5'	4.6'
				9'	14	6.9'	6.9'	9'	5.2'	9	9.7'	8.0'	5'	5.0'	16	9.0'	5.4'	4'	6.9'	9	22.0'	6.1'
75W PAR-30 NSP (T-H)	12°	10,500	2,000	8'	164	1.7'	1.7'	7'	4.0'	139	2.0'	1.7'	5'	5.0'	148	2.1'	1.5'	3'	5.2'	146	2.6'	1.3'
				12'	73	2.5'	2.5'	10'	5.8'	68	2.8'	2.4'	7'	7.0'	76	3.0'	2.1'	4'	6.9'	82	3.5'	1.7'
				16'	41	3.4'	3.4'	13'	7.5'	40	3.7'	3.2'	9'	9.0'	46	3.8'	2.7'	5'	8.7'	53	4.3'	2.1'
				20'	26	4.2'	4.2'	16'	9.2'	27	4.5'	3.9'	11'	11.0'	31	4.7'	3.3'	6'	10.4'	36	5.2'	2.5'
75W PAR-30 NFL (T-H)	32°	3,000	2,000	6'	83	3.4'	3.4'	5'	2.9'	78	3.9'	3.3'	3'	3.0'	118	3.7'	2.4'	2'	3.5'	94	6.1'	2.3'
				8'	47	4.6'	4.6'	7'	4.0'	40	5.5'	4.6'	5'	5.0'	42	6.2'	4.1'	3'	5.2'	42	9.1'	3.4'
				10'	30	5.7'	5.7'	9'	5.2'	24	7.1'	6.0'	7'	7.0'	22	8.7'	5.7'	4'	6.9'	23	12.2'	4.6'
				12'	21	6.9'	6.9'	11'	6.4'	16	8.6'	7.3'	9'	9.0'	13	11.2'	7.3'	5'	8.7'	15	15.2'	5.7'
75W PAR-30 FL (T-H)	42°	1,800	2,000	4'	113	3.1'	3.1'	3'	1.7'	130	3.2'	2.7'	3'	3.0'	71	5.4'	3.3'	1'	1.7'	225	5.5'	1.5'
				6'	50	4.6'	4.6'	5'	2.9'	47	5.4'	4.4'	4'	4.0'	40	7.2'	4.3'	2'	3.5'	56	11.0'	3.1'
				8'	28	6.1'	6.1'	7'	4.0'	24	7.5'	6.2'	5'	5.0'	25	9.0'	5.4'	3'	5.2'	25	16.5'	4.6'
				10'	18	7.7'	7.7'	9'	5.2'	14	9.7'	8.0'	6'	6.0'	18	10.8'	6.5'	4'	6.9'	14	22.0'	6.1'

(FC) is the initial footcandles at the center of the beam.

(L) and (W) are to the point that the candlepower drops to 50% of maximum.

