

Stonco

by  Signify

Wall Mount

WP wall pack

Large



Project: _____
 Location: _____
 Cat.No: _____
 Type: _____
 Lamps: _____ Qty: _____
 Notes: _____

The Stonco LED WP wall pack large offers maximum light output for general purpose area and security lighting through a classic glass refractor design. Now available with the enhanced Philips platform, WP LED provides improved energy savings compared to the former LED design.* This versatile luminaire is ideal to match same as existing or retrofit HID legacy designs.

Ordering guide

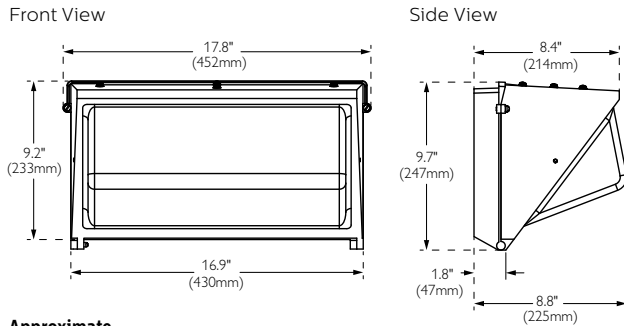
Example: WP-LED -72L-530-NW-120-PCB-BZ

Prefix	Source	LED Quantity, Drive Current	Color Temp	Voltage	Options	Finish
WP	LED	72L-530	NW			
WP LED wallpack large WP	LED LED	72L-530 72 LEDs, 530mA	NW 4000K	UNV 120-277V 50hz or 60hz HVU 347-480V 120 120V 208 208V 240 240V 277 277V 347 347V 480 480V	APD Automatic Profile Dimming ¹ PCB Button Photo Control (must specify voltage) F1 Single Fusing F2 Double Fusing F3 Double Fusing, Canadian	BZ Textured bronze WH Textured white BK Textured black DGY Dark grey

1. Automatic profile dimming (ADP) is only available in 120-277V.

WP LED wall pack large

Dimensions



Approximate Luminaire Weight:
16.8 Lbs (7.2 Kg)

LED Wattage and Lumen Values

Ordering Code	Total LEDs	System Current	Color Temp.	Average System Wattage	Lumen Output*	BUG Rating	Efficacy (LPW)
WP-LED-72L-530-NW	72	530 mA	4000K	65	6726	B1-U4-G4	103

* Wattage and lumen output may vary by +/- 8% due to LED manufacturer forward volt specification and ambient temperature. Wattage shown is average for 120V through 277V input. Actual wattage may vary by an additional +/- 10% due to actual input voltage. Lumen values based on photometric tests performed in compliance with IESNA LM-79.

Specifications

Features

The Stonco LED wallpack large WP combines enhanced LED performance in a classic luminaire design for general purpose wall mount area and security lighting and can be used to match same as existing installations or retrofit myriad of HID legacy designs. Options include use of energy saving control features such as Automatic Profile Dimming (APD) for even greater savings opportunities and standard surge suppression.

Predicted Lumen Depreciation Data

Predicted performance derived from LED manufacturer's data and engineering design estimates, based on IESNA LM-80 methodology. Actual experience may vary due to LED application conditions. L70 is the predicted time when LED performance depreciates to 70% of initial lumen output. Calculated per IESNA TM21-11. Published L70 hours limited to 6 times actual LED test hours.

Ambient Temperature °C	Driver Current	Calculated L70hrs ^{1,2}	L70 per TM21 ^{2,3}	Lumen Maintenance @ 60,000hrs
25 °C	530 mA	>100,000	>60,000	88%

1. Predicted performance derived from LED manufacturer's data and engineering design estimates.
2. L70 is the predicted time when LED performance depreciates to 70% of initial lumen output.
3. Calculated per IESNA TM 21-11. Published L70 hours limited to 6 times actual LED test hours.

Housing/Door

One piece die cast aluminum housing provided hinged, removable one piece die cast aluminum door.

Performance

Input Watts: 65W
Delivered Lumens: 6,726 lumens
Efficacy: 103 Lumens per watt

Mounting

Mount over 4" j-box with direct mounting via bolts (by others).

Electrical

Driver efficiency (>90% standard) 50/60Hz available in 120-277V or 347-480V, open/short circuit protection. RoHS compliant. Surge protector standard, 10KA per ANSI/IEEE C62.41.2.

LED

72 LED's. Neutral white (4000K) color temperature. 70 color rendering index (CRI) (nominal).

Optical Lens System

Borosilicate glass catadioptric refractive design featuring a IES Type 4 distribution. BUG Rating: B1-U4-G4. Cutoff Classification: Non-cutoff.

Finish

Each standard color luminaire receives a fade and abrasion resistant, electrostatically applied, thermally cured, triglycidal isocyanurate (TGIC) textured polyester powdercoat finish.

Listing

ETL listed to the UL 1598 standard, suitable for Wet Locations. Suitable for use in ambients from -40° to 40°C (-22° to 104°F).

Limited Warranty

313 LED luminaires feature a 5 year limited warranty.

