

# Day-Brite

## CFI

by  Signify

# 443581589700

## LBH AND EHL

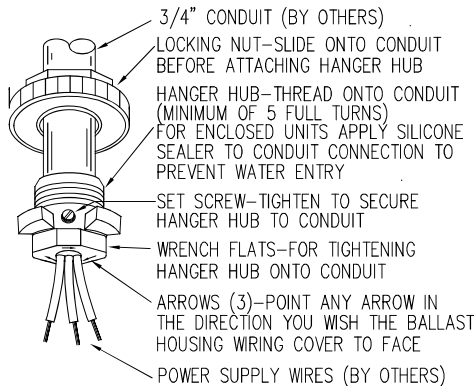
## LOWBAY

**CAUTION: THE INSTALLATION AND SERVICING OF THIS PRODUCT SHOULD BE PERFORMED BY A QUALIFIED ELECTRICIAN OR SERVICE PERSONNEL**

**ATTENTION : L'INSTALLATION ET L'ENTRETIEN DE CE PRODUIT DOIVENT ÊTRE EFFECTUÉS PAR UN ÉLECTRICIEN OU UN MEMBRE DU PERSONNEL QUALIFIÉ.**

### MOUNTING BALLAST HOUSING TO CONDUIT—OPEN UNITS

LBH SHOWN, EHL MOUNTING ON BACK

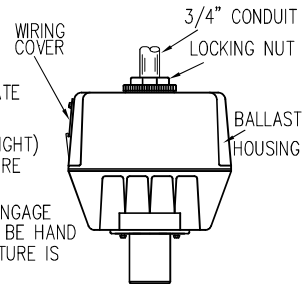


- 1) LIFT BALLAST HOUSING ONTO THE HANGER HUB AND ROTATE 60° UNTIL SEATED ON HUB
- 2) TURN LOCKING NUT (HAND TIGHT) ONTO HANGER HUB TO SECURE BALLAST HOUSING

**WARNING:** LOCKING NUT MUST ENGAGE THREADS ON HANGER HUB AND BE HAND TIGHTENED TO INSURE THAT FIXTURE IS PROPERLY SEATED ON HUB

**CAUTION:** THE LOCKING NUT IS PROVIDED WITH WRENCH FLATS TO BE USED ONLY IF NECESSARY TO REMOVE NUT

- 3) REMOVE WIRING COVER AND MAKE SUPPLY CONNECTIONS (USE 90°C SUPPLY WIRE) REPLACE WIRING COVER



### REFLECTOR MOUNTING, LR23 AND LR20 WITH "LBH" AND "EHL"

NOTE: REFLECTOR MOUNTING SHOWN WITH "LBH" HOUSING, REFLECTOR WITH "EHL" HOUSING WILL ASSEMBLE IN IDENTICAL FASHION.

- 1) LOOSEN THE (4) REFLECTOR MOUNTING SCREWS ON BALLAST HOUSING.
- 2) OPEN THE LENS FRAME ASSEMBLY LATCHES ON REFLECTOR AND HINGE LENS OPEN.
- 3) ATTACH REFLECTOR TO BALLAST HOUSING AT KEY-HOLE SLOTS AND TIGHTEN SCREWS.

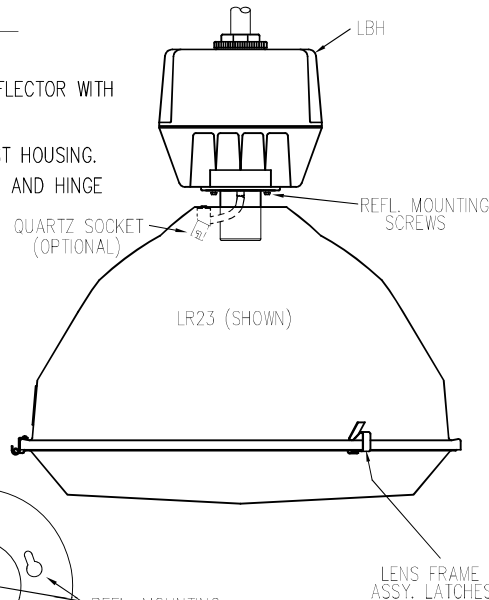
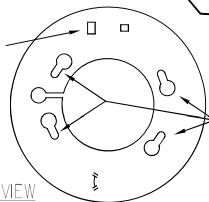
NOTE: IF UNIT IS EQUIPPED WITH OPTIONAL QUARTZ SOCKET ATTACH QUARTZ SOCKET AS DESCRIBED BELOW, THEN TIGHTEN REFLECTOR MOUNTING SCREWS

- 4) CLOSE LENS AND FASTEN LATCHES.

#### OPTIONAL QUARTZ MOUNTING

THE QUARTZ SOCKET IS EQUIPPED WITH A SPRING STEEL BRACKET. ROUTE SOCKET THRU CENTER HOLE OF REFLECTOR AND SNAP QUARTZ SOCKET BRACKET INTO THE SMALL SQUARE HOLES IN REFLECTOR

QUARTZ SOCKET MOUNTING HOLES



**CAUTION:** Electrical luminaires are designed for permanent installation in ordinary (Non-Hazardous) locations in accordance with the National Electrical Code and all applicable local codes. Do not use in areas of limited ventilation or in high ambient enclosures. The lamp and luminaire operate at high temperatures, contact with combustible materials can cause fire and personal contact can cause severe burns.

**ATTENTION:** Ce luminaire a été conçu pour une installation permanente dans un emplacement régulier (non dangereux) et en conformité avec le Code électrique canadien et codes locaux applicables. Ne jamais installer dans un endroit où la ventilation est limitée ou dans des boîtiers où la température ambiante est très élevée. La lampe et le luminaire fonctionnent à des températures élevées, un contact avec des matériaux combustibles peut engendrer un incendie et un contact corporel peut causer de sévères brûlures.

# Signify

JANUARY, 2019

[www.day-brite.com](http://www.day-brite.com)

[www.cfi-lighting.com](http://www.cfi-lighting.com)

@2019 Signify Holding. All rights reserved. This document may be subject to change. No representation or warranty as to the accuracy or completeness of the information included herein is given and any liability for any action in reliance thereon is disclaimed. All trademarks are owned by Signify Holding or their respective owners.

Signify North America Corporation  
200 Franklin Square Drive  
Somerset, NJ 08873, USA  
Phone: 855-486-2216

Signify Canada Ltd./Signify Canada Ltée.  
281 Hillmount Road  
Markham ON, Canada L6C 2S3  
Phone: 800-668-9008