



A high performing LightFlood LED for use with Radius, Basic and Advent Track.

Project: \_\_\_\_\_  
 Location: \_\_\_\_\_  
 Cat.No: \_\_\_\_\_  
 Type: \_\_\_\_\_  
 Lamps: \_\_\_\_\_ Qty: \_\_\_\_\_  
 Notes: \_\_\_\_\_

### Ordering guide

Series	Lumens	CCT	Finish	Mounting <sup>1</sup>
<input type="checkbox"/> LLF	<input type="checkbox"/>	<input type="checkbox"/>	<input type="checkbox"/>	
LLF LightFlood LED	2 2000lm	27 2700K 30 3000K 40 4000K	WH White BK Black AL Aluminum	For use with Radius, Basic and Advent track. For monopoint applications refer to specification sheet <b>6170</b> and <b>6190</b> (will require two monopoints).

1. Not compatible with extension wands, multipoint, ProSpec track, clamp-on monopoint or sloped ceiling adaptor.

### Accessories

Series	Finish	Description
<input type="checkbox"/>	<input type="checkbox"/>	
LLF2LV Louver	BK Black	The Louver is designed to provide additional light shielding and reduce lamp glare when needed.
LLF2VS Visor	WH White BK Black AL Aluminum	The Visor is designed with interior reflector to direct light toward surface to create a washing effect.

### Features

- Track attachment fitting:**  
For mechanical/electrical connection.
- Brass contact:** Extends for connection to second circuit (Advent track only).
- Vertical pivot:** 0-90° vertical adjustment.
- LED board:** For efficient thermal management. MC PCB with vias.
- Optical assembly:** Reflector and diffuser.
- Light source:** 20 LEDs.
- Housing:** Die cast aluminum end plates and extruded aluminum heat sink perform as housing for light engine and driver.
- Cover lens:** Diffuser prevents dust and other contaminants from entering Reflector and LED surfaces.
- Accessory groove:** Integrated groove in housing allows accessories to be installed directly to housing. Accessories sold separately.

### Accessories

**Accepts one of the following:**  
 Louver - LLF2LV (BK only)  
 Visor - LLF2VS (AL, BK, WH)  
 Contact factory for competitor adaptor options.

### Electrical

**Input voltage:** 120V  
**Input frequency:** 50/60 Hz  
**Nominal input power:** 23W  
**Efficacy:** Approximately 100 lm/w  
**Power factor:** > .90  
**Lumen maintenance:**  
 >70% of initial lumens @ 50,000 hrs  
**Photometric performance:**  
 Tested in accordance to LM79

### Dimming

**ELV and Triac dimming compatible**  
 Lutron Skylark S-600P 0.02%  
 Lutron Skylark SELV-300P 1.60%  
 Lutron Diva DVELV-303P 1.97%  
 Philips Sunrise SR400RPC120 2.35%

### Finish

All painted finishes are powder coated.

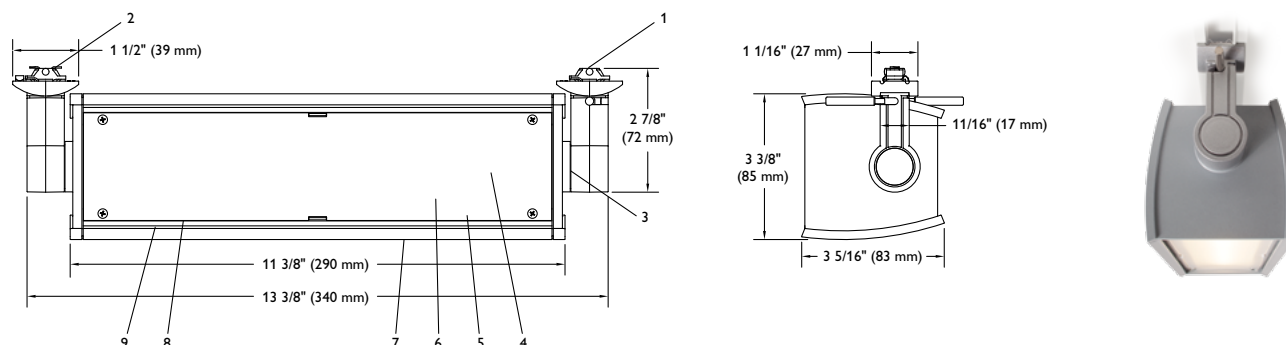
### Labels

5 year warranty.

# LLF2 LightFlood LED

## 2000lm Track head

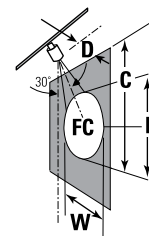
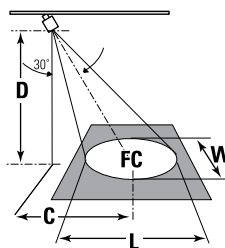
### Dimensions



### Aiming angles

L and W are the outer points where the candle power drops to 50% of the maximum. FC are the initial foot-candles at the center of the beam. Data shown is for 3000K, for 2700K multiply FC by 0.91.

- L Beam length
- D Distance
- W Beam Width
- A Aiming Angle
- FC Footcandles
- C Distance to center beam



#### Track: LLF230AL

CCT <sup>1</sup> :	3000K
Output lumens:	2243 lms
Input watts <sup>2</sup> :	22.3 W
Efficacy:	100.6 lm/w
CRI:	80 min
CBCP <sup>3</sup> :	881 cd
Beam Angle:	100°
Field Angle:	147°
Report no <sup>3</sup> :	768GFR

#### Flood

##### 30° Horizontal Aiming

Distance	Beam	
	L	W
6	N/A	46.8
8	N/A	62.4
10	N/A	78.0
12	N/A	93.6

##### 30° Horizontal Aiming

Distance	Beam	
	L	W
2	N/A	27.0
3	N/A	40.5
4	N/A	54.0
5	N/A	67.5

1. Correlated Color Temperature within specs as defined in ANSI\_NEMA\_ANSI C78.377-2008: Specifications for the Chromaticity of Solid State Lighting Products.
2. Wattage controlled to within +/- 5%.
3. Tested using absolute photometry as specified in LM79: IESNA Approved Method for the Electrical and Photometric Measurements of Solid-State Lighting Products.

