



Project: \_\_\_\_\_

Location: \_\_\_\_\_

Cat.No: \_\_\_\_\_

Type: \_\_\_\_\_

Lamps: \_\_\_\_\_ Qty: \_\_\_\_\_

Notes: \_\_\_\_\_

### Integrated module

### Ordering guide

**Example: i1.5NSPW**

Series	Finish	Optics	CCT
i1.5			
i1.5 Inground with Trim Ring	<b>N</b> Natural Cast Bronze	<b>SP</b> Spot <b>NF</b> Narrow Flood <b>FL</b> Flood	<b>W</b> Warm <b>C</b> Cool

### Features

- LED module

### LED module

3,000K or 4,000K CCT. 12 Total Watts consumed. Approx. 50,000 hours of operation life at 25°C ambient temperature and 70% lumen maintenance.

### Aiming

Offers 15° either side of vertical and full 360° rotation. Angle degree marks for precise vertical aiming with tool-less aiming.

### Housing

Single-piece compression molded, fiberglass reinforced polyester composite housing. Separate sealed compartments. Potted factory seal with anti-wicking wiring. Hinged lens ring with captive lens and fasteners. Only two fasteners required to secure lens ring. UL Listed silicone-filled wire nuts provided—no encapsulant required.

### Trim (supplied standard)

Natural cast bronze secured with stainless steel screws.

### Gasket

Single-piece wrap around molded 100% silicone for lens assembly. Gasket for junction box cover is single-piece die-cut neoprene.

### Finish

Natural Cast Bronze has satin matte finish and will age over time.

### Lens

Clear convex, tempered borosilicate for high-impact resistance. 3,000 lb live-load rated, drive-over.

### Optics

Available with spot, narrow flood or flood beam pattern.

### Electrical

LED module is a key-slotted ballast assembly with quick disconnects mounted to cast aluminum bracket for easy maintenance. e-Vision electronic ballasts automatically detect 120-277 volts and 50/60 Hz.

### IP68 rating

Dust-tight and dual rated – sealed against direct jets of water and against continuous immersion up to a depth of 1 meter (3.28 feet).

# i1.5

## Composite inground

### Electrical Assembly

Module: 12 total watts consumed Operating start temperature -30°C (-22°F). IP66 Compliant LED Driver. Black Magic Thermal Advantage™ Housing Driver 120 to 277 VAC input; 50-60Hz; auto-sensing.

### ADA compliant

Compliant when used in concrete and flush-mounted with CPS15.

### Optical Assembly

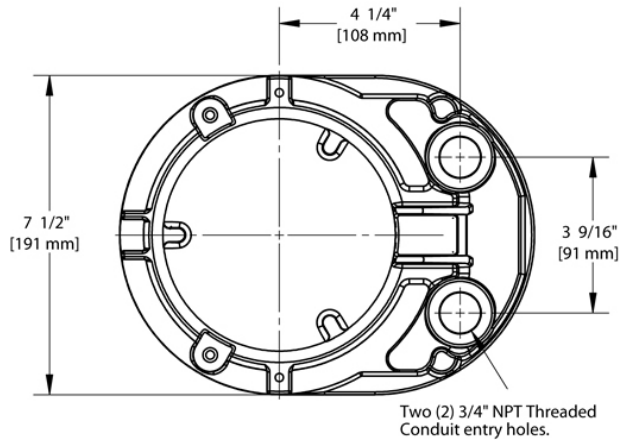
Clear, slightly convexed, molded borosilicate glass, high impact, 3000 lb. live load rated, drive-over glass, with molded wrap around 100% silicone lens gasket. Angle degree marks for precise vertical aiming with tool-less aiming. Aiming 15° either side of vertical and full 360° rotation. Handle enables easy tool-less removal of assembly for hot aiming and re-lamping, simply press-fit back into place.

Integral collimating spot (10°). Integral collimating narrow flood (26°). Integral collimating wide flood (38°).

### Labels

ETL and cETL listed. Suitable for wet locations. Manufactured to ISO 9001:2008 Standards. 10-year limited warranty.

### Integrated lamp dimensions



### Integrated module dimensions

