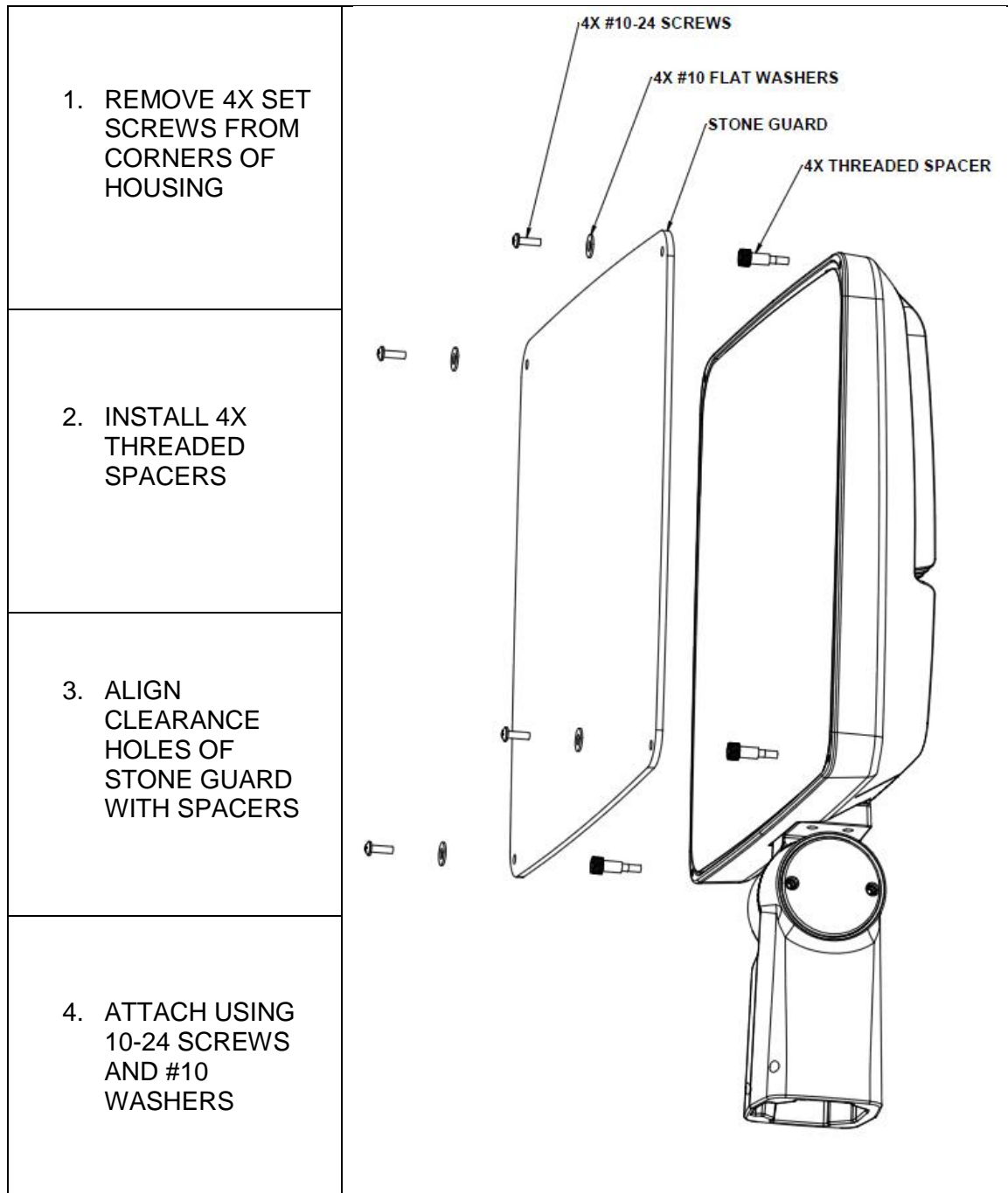


INSTALLATION INSTRUCTIONS

CLEARSCAPE STONE AND WIRE GUARD

STONE GUARD



INSTALLATION INSTRUCTIONS

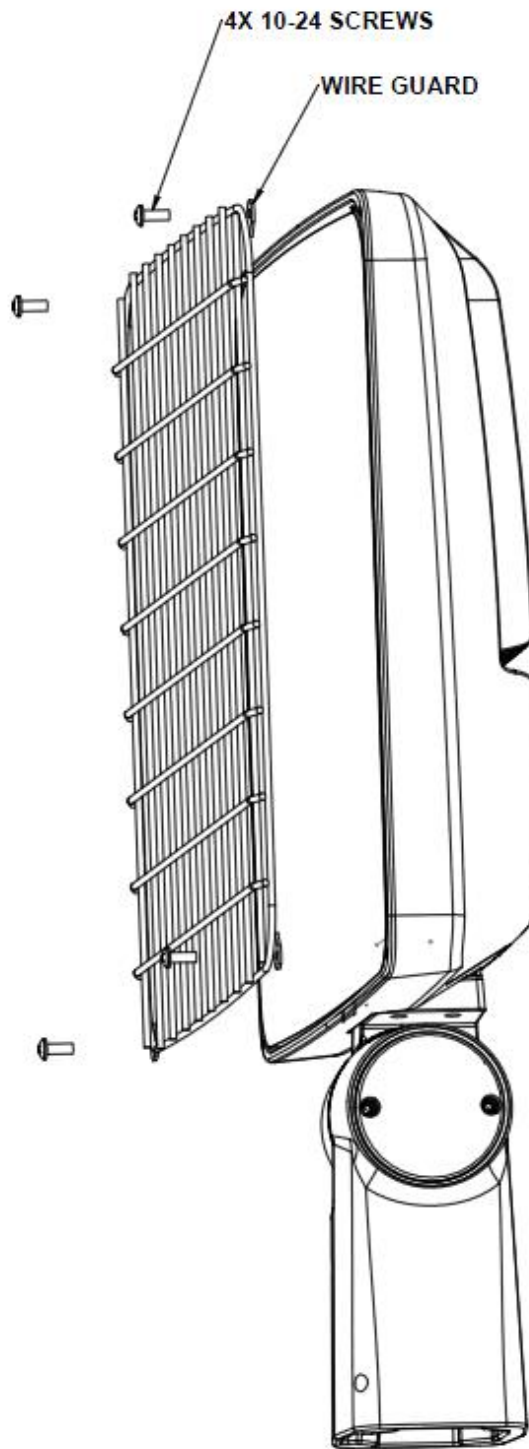
CLEARSCAPE STONE AND WIRE GUARD

WIRE GUARD

1. REMOVE 4X SET SCREWS FROM CORNERS OF HOUSING

2. ALIGN CLEARANCE HOLES OF STONE GUARD WITH SPACERS

3. ATTACH USING 10-24 SCREWS



© 2016 Philips Lighting Holding B.V. All rights reserved.

www.philips.com/luminaires

Part Number 443562760230 Rev. C
Page 2 of 2

Philips Lighting North America
Corporation
200 Franklin Square Drive,
Somerset, NJ 08873, USA

Philips Lighting Canada Ltd.
281 Hillmount Road,
Markham ON, Canada L6C 2S3