



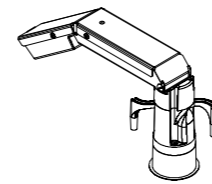
**Read and understand these instructions before installing luminaire.**

This luminaire is intended for installation in accordance with the National Electrical Code and Local Regulations. To assure full compliance with local codes and regulations, check with your local electrical inspector before installation. To prevent electrical shock, turn off electricity at fuse box before proceeding. **Retain these instructions for maintenance reference.**

**CAUTION:** (RISK OF FIRE) DO NOT INSTALL INSULATION WITHIN 3 INCHES OF FIXTURE SIDES OR WIRING COMPARTMENT, NOR ABOVE FIXTURE IN SUCH A MANNER SO AS TO ENTRAP HEAT.

**Items needed for Installation:**

1. C2L04\_DL SERIES Frame-in Kit
2. 2 1/2" Diameter Hole Saw & Drill
3. Wire Nuts
4. Phillips Head Screw Driver or Wireless Drill/Screwdriver



**NOTE:** C2L\_DL SERIES Frame-in Kit installs from below ceiling (remodeler-style installation). For new construction ceilings with limited/no above-ceiling access use C2LMP for installation. Conduit/romex drops must be in desired locations, prior to the installation of the ceiling, so that it can be accessed from below the ceiling once aperture hole has been cut.

**Step 1:**

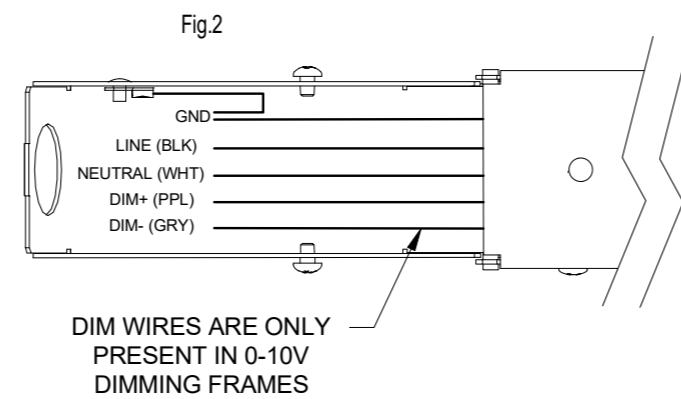
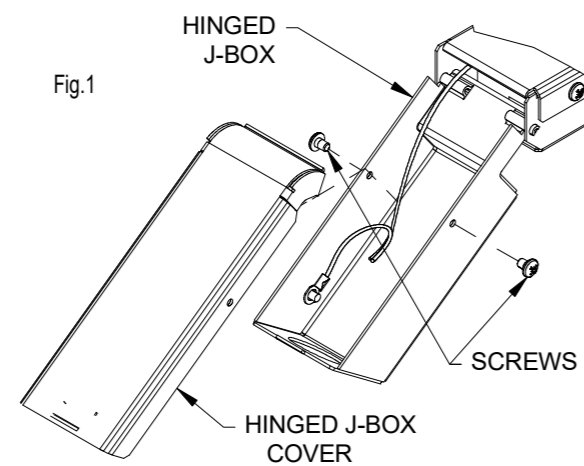
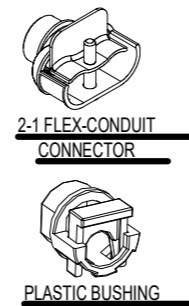
Using 2 1/2" Diameter Hole Saw & Drill, cut Aperture Hole in ceiling in desired location where C2L\_DL SERIES Frame-in Kit is to be installed.

**Step 2:**

Holding C2L04\_DL SERIES Frame-in Kit in one hand, remove screws located on either side of the Hinged Jbox, remove cover, and wire per Wiring Diagram (see figures 1 & 2). Once all electrical connections have been made, reinstall Hinged Jbox Cover, securing both screws.

**NOTE:** For metal conduit, a 2-1 connector can be used to allow for daisy-chaining multiple luminaires in series.

**NOTE:** For insulated ceiling applications use C2LIC. Pre-installed C2LIC is supplied with plastic ratcheting bushing to guide multiple conductors into Jbox. This must be used to prevent chaffing on Jbox opening.



DIM WIRES ARE ONLY PRESENT IN 0-10V DIMMING FRAMES

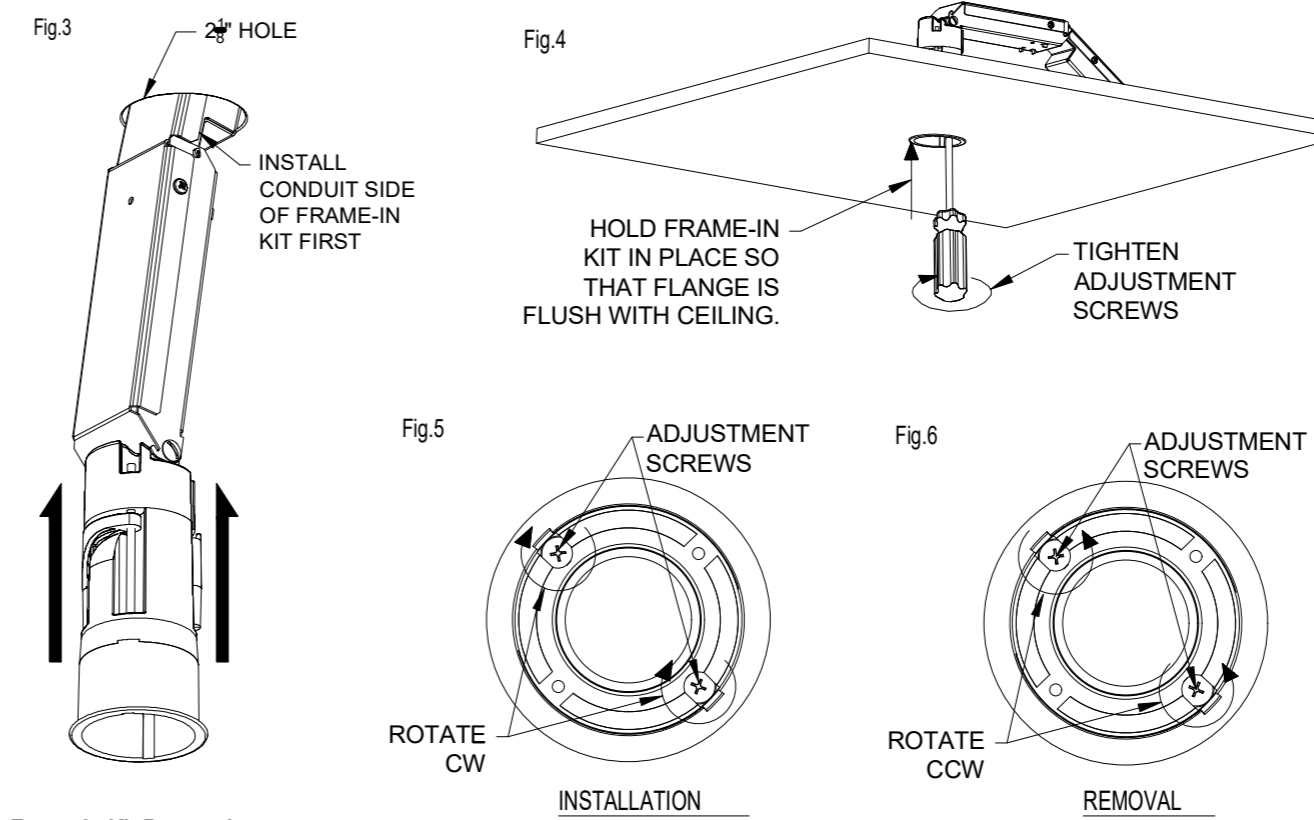
WIRING DIAGRAM

**IS-C2L\_DLFIK Calculite 1.75" LED Frame-in Kit**

**Step 3:**

Install Frame-in Kit by snaking Frame-in kit, conduit-side-first, through 2 1/2" hole in ceiling (See Fig. 3). While holding the Frame-in Kit in place with one hand, so that the flange is flush with the ceiling surface, tighten (rotate clockwise) adjustment screws until Frame-in Kit is properly secured in place (See Fig. 4 & 5)

**NOTE:** Wireless drill/screwdriver (low-torque setting) may be used to tighten adjustment screws to significantly reduce installation time. Be careful not to overtighten, however, as softer ceiling materials (ex. sheet rock, gypsum) can be damaged if screws are over torqued.



**Frame-in Kit Removal:**

To remove Frame-in Kit from ceiling, loosen (rotate counter-clockwise) each of the adjustment screws until adjustment arms fold in to the Frame-in Kit, and Frame-in Kit can be removed from ceiling (See Fig. 6).

**NOTE:** When loosening the adjustment screws, there are two indications to tell when the adjustment arms have folded in and Frame-in Kit can be successfully removed:

1. Listening for a single clicking sound while the screws are being loosened. This will be the noise of the adjustment arm folding in to the Frame-in Kit.
2. Loosening screws until they can no longer be loosened any more, indicating that the arms have folded in and reached the maximum height that they can be adjusted to.

