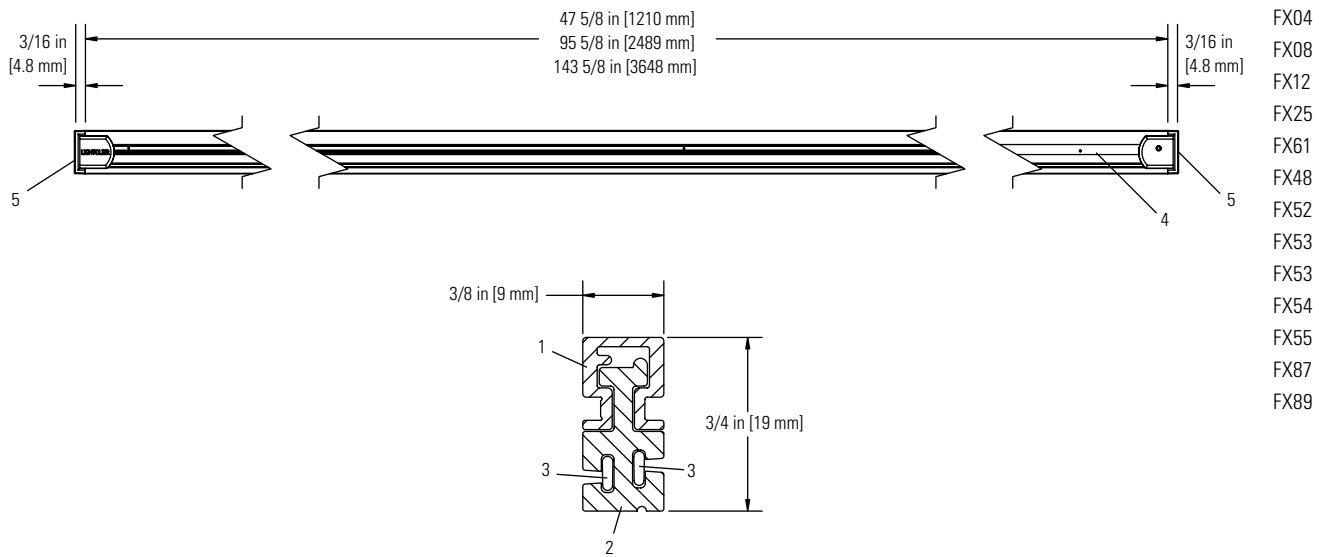


Project: _____
 Location: _____
 Cat.No: _____
 Type: _____
 Lamps: _____ Qty: _____
 Notes: _____



Ordering Information

Catalog No.	Finish	Description	Track Mountings
FX04	Clear Anodized	4' Track	Tangent Surface Track may be ceiling, vertical-wall or horizontal-wall mounted. Mounting anchors or clips must be placed no more than 3' apart for continuous ceiling-mounted runs, and no more than 2' apart for wall-mounted runs. A mounting anchor or clip should also be placed 6" from each end of the track run. Surface mount anchors and grid clips are sold separately.
FX08	Clear Anodized	8' Track	
FX12	Clear Anodized	12' Track	
FX25	Clear Anodized	Mounting Anchors (5pk)	
FX48	Silver	Surface Power Feed	
FX61, FX61WH	Silver, White	J-Box Feed Canopy	
FX52	Silver	Variable Angle Connector, Mechanical only	
FX53	Silver	Variable Angle Connector, Electro/Mechanical	
FX54	Silver	Mini-Coupler, Electro/Mechanical	
FX55	Silver	Mini-Coupler, Mechanical Only	
FX87	Silver	Grid Ceiling Mount Clips, Regressed-Edge (5pk)	
FX89	Silver	Grid Ceiling mount Clips, Square- Edge (5pk)	
FX96, FX96WH	Silver, White	Grid Ceiling Feed Canopy	

Features

Tangent Surface Track is a one-circuit electrical distribution system designed to support and supply all Tangent lighting units in a flexible manner. The track can be installed individually in straight runs or in a variety of patterns using the appropriate connectors. The track can also be bent by hand in the field or with an FX100 bending tool into curves with a minimum radius of 3'. All track lengths can be field cut.

- 1. Tangent™ Track:** Anodized aluminum with a clear protective coating
- 2. Insulating Liner:** Clear polycarbonate; houses conductors
- 3. Conductor (2):** Tin plated copper
- 4. Polarity Dimple:** Identifies the 120V line conductor
- 5. End Cap:** Silver painted polycarbonate

Finish

Tangent track and mounting anchors are anodized aluminum with a clear protective coating. Connectors and end caps are painted in a coordinating silver finish. All painted finishes are baked enamel.

Electrical

Capacity is 20 amps at 120 volts 60Hz per branch circuit. The track units are polarized and continuously grounded throughout. Electrical conductors are contained in the polycarbonate extrusion. Track is intended for wiring to branch circuit building wire with ground. All wiring must be in accordance with National and Local Codes.

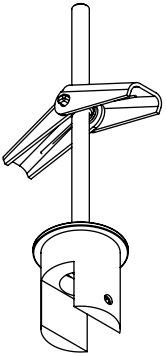
FX Tangent

Lighting System

Mechanical

Track units plug together using tangent connectors and lock securely to prevent accidental separation. Tangent™ lighting units can be attached at any point along the track, up to 3" from end of Track.

Track Mounting and Power Feed Systems



Surface Mount Anchors

Attach to track at any point. Provided with toggle bolts and a 3/4" "goof" washer. Secured to track with integral set screw. Track and Surface Mount Anchors sold separately.

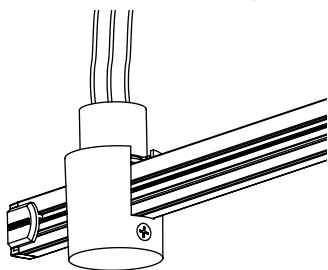
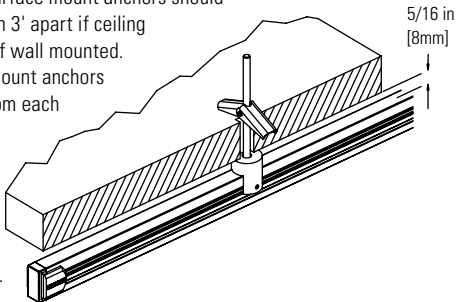
FX25 Clear Anodized (Pack of 5)

Direct Mounting

Toggle bolts and a 3/4" "goof" washer are furnished with the Surface Mount Anchors. Surface mount anchors may also be attached directly to surface using other suitable hardware. Top of the track sits 5/16" below the mounting surface.

For continuous runs, surface mount anchors should be placed no more than 3' apart if ceiling mounted and 2' apart if wall mounted. Additionally, surface mount anchors should be placed 6" from each end of the track run.

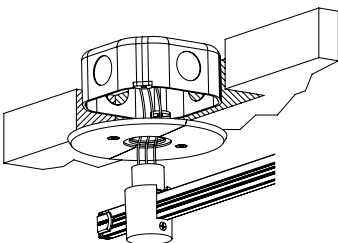
For individual track installations, use 3 anchors for a 4'; 4 anchors for an 8'; and 5 anchors for a 12'.



Surface Power Feed

Mounts to a 3/8" NM (non-metallic) or armored cable connector. Mounts anywhere along track. Max load 20 amps @ 120V, 60Hz

FX48 Silver



J-Box Feed Canopy Kit

Mounts anywhere along track for power feed from a 4" octagonal outlet box. Max load 20 amps @ 120V, 60Hz

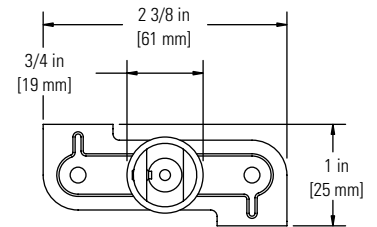
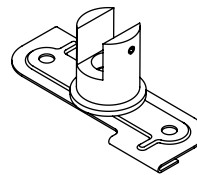
FX61 Silver
FX61WH White

Labels

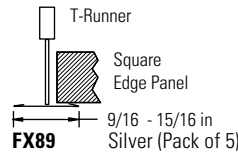
cULus; Patent Pending

Grid Ceiling Mounting Clips

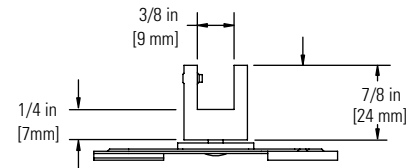
For Square Edge Panels and 9/16"-15/16" T-Bars. Mounts onto T-Bar by rotating clip. Secures to track with integral set screw.



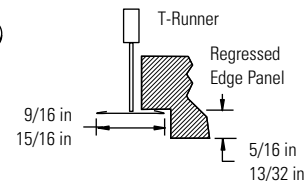
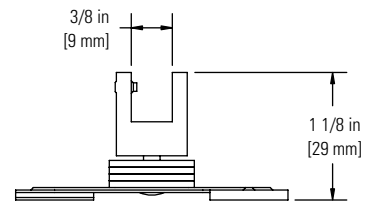
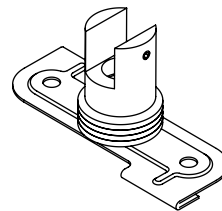
Grid Clip Detail



FX89 9/16 - 15/16 in Silver (Pack of 5)



For Regressed Edge Panels and 9/16"-15/16" T-Bars. Mounts onto T-Bar by rotating clip. Secures to track with integral set screw.



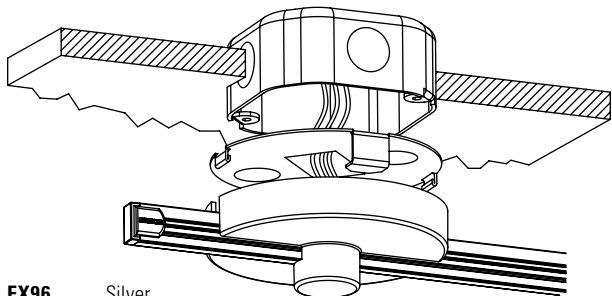
FX87 Silver (Pack of 5)

FX Tangent

Lighting System

Grid Ceiling Feed Canopy Kit

Mounts anywhere along track for power feed from a 4" octagonal outlet box or direct feed with cable, or conduit. Electrical fitting provided by others. Max load 20 amps @ 120V, 60Hz.

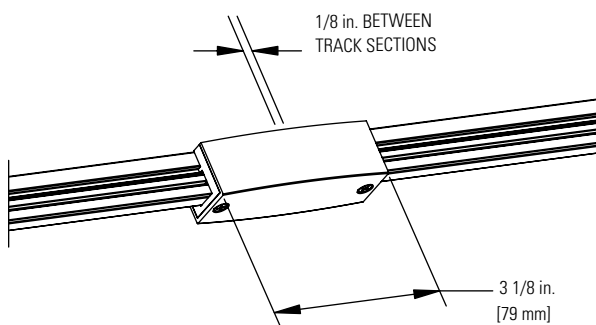


FX96 Silver

FX96WH White

Mini Coupler, Electro/Mechanical

Joins tracks together electrically and mechanically. The mini-coupler is polarized. Not a feed point.



FX54 Silver

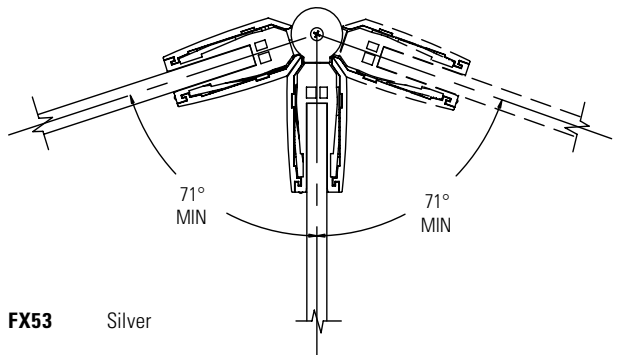
Mini Coupler, Mechanical Only

Permits mechanical attachment of two track sections while maintaining electrical separation. The mini-coupler is "mechanically" polarized. Not a feed point.

FX55 Silver

Variable Angle Connector, Electro/Mechanical

Joins two tracks together electrically and mechanically. Allows for left and right angles with a total of 216° of rotation. The variable angle connector is polarized and pre-wired. Not a feed point.



FX53 Silver

Variable Angle Connector, Mechanical Only

Permits mechanical attachment of two track sections while maintaining electrical separation. Allows for left and right angles with a total of 216° of rotation. The variable angle connector is "mechanically" polarized. Not a feed point.

