

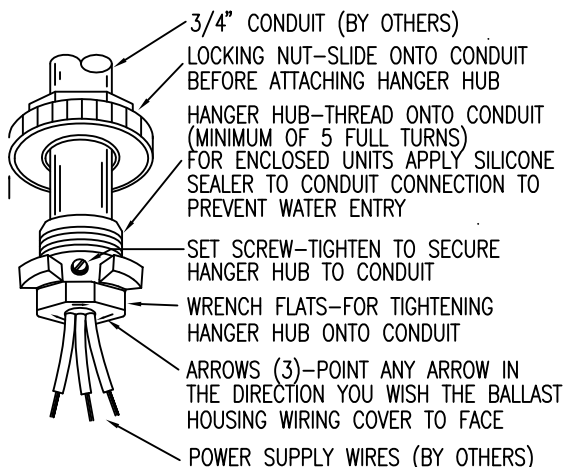
INSTALLATION INSTRUCTIONS

HIGH BAY

"HBO" AND "HBE" SERIES

CAUTION: THE INSTALLATION AND SERVICING OF THIS PRODUCT SHOULD BE PERFORMED BY A QUALIFIED ELECTRICIAN OR SERVICE PERSONNEL
ATTENTION : L'INSTALLATION ET L'ENTRETIEN DE CE PRODUIT DOIVENT ÊTRE EFFECTUÉS PAR UN ÉLECTRICIEN OU UN MEMBRE DU PERSONNEL QUALIFIÉ.

MOUNTING BALLAST HOUSING TO CONDUIT—OPEN UNITS

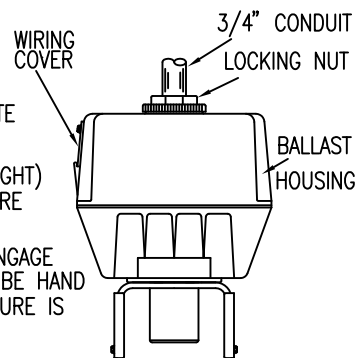


- 1) LIFT BALLAST HOUSING ONTO THE HANGER HUB AND ROTATE 60° UNTIL SEATED ON HUB
- 2) TURN LOCKING NUT (HAND TIGHT) ONTO HANGER HUB TO SECURE BALLAST HOUSING

WARNING: LOCKING NUT MUST ENGAGE THREADS ON HANGER HUB AND BE HAND TIGHTENED TO INSURE THAT FIXTURE IS PROPERLY SEATED ON HUB

CAUTION: THE LOCKING NUT IS PROVIDED WITH WRENCH FLATS TO BE USED ONLY IF NECESSARY TO REMOVE NUT

- 3) REMOVE WIRING COVER AND MAKE SUPPLY CONNECTIONS (USE 90°C SUPPLY WIRE) REPLACE WIRING COVER

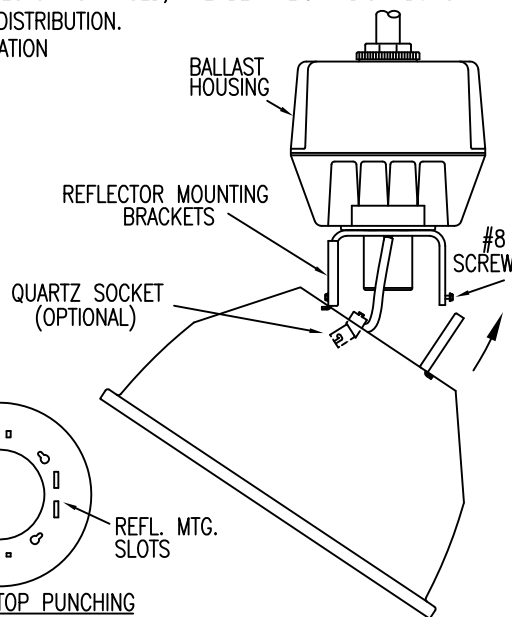


OPEN REFLECTOR MOUNTING – A16, A17, WS17, A24, A24S & WS24

- 1) LOOSEN, DO NOT REMOVE, THE #8 SCREW AT (1) OF THE REFLECTOR MOUNTING BRACKETS. SLIDE REFLECTOR BRACKET SO CENTER HOLE IS OVER SCREW HEAD AND REMOVE BRACKET FROM YOKE.
- 2) POSITION TABS OF OTHER REFLECTOR BRACKET IN SLOTS OF REFLECTOR AS SHOWN. POSITION LOOSE REFLECTOR BRACKET IN SLOTS OF REFLECTOR ON OPPOSITE SIDE. SWING REFLECTOR UP REPLACING LOOSE REFLECTOR BRACKET OVER #8 SCREW HEAD AT CENTER HOLE.
- 3) LOOSEN, DO NOT REMOVE, BOTH #8 SCREWS AND SLIDE REFLECTOR TO DESIRED LIGHT DISTRIBUTION LOCATION. POSITION 1 WILL PRODUCE A NARROW BEAM LIGHT DISTRIBUTION. AS THE REFLECTOR IS RAISED, THE BEAM LIGHT DISTRIBUTION WILL GRADUALLY BECOME WIDER WITH POSITION 6 BEING THE WIDEST DISTRIBUTION. FOR PRECISE SETTINGS OF LIGHT DISTRIBUTION SEE CATALOG SPECIFICATION SHEET FOR INDIVIDUAL REFLECTOR AND LAMP.

NOTE: FOR OPEN 400W METAL HALIDE UNITS WITH A16 OR WS16 REFLECTOR.

The reflector and ballast housing can be pre-assembled on the floor, however, the adjustable brackets must be in position 1, 2, 3 or 4. In position 5 or 6 the lamp will protrude below reflector. If position 5 or 6 is desired, hang fixture, then make reflector adjustments.



OPTIONAL QUARTZ MOUNTING

THE QUARTZ SOCKET IS EQUIPPED WITH A SPRING STEEL BRACKET. AFTER REFLECTOR HAS BEEN INSTALLED, ROUTE SOCKET THRU CENTER HOLE OF REFLECTOR AND SNAP QUARTZ SOCKET BRACKET INTO THE SMALL SQUARE HOLES IN REFLECTOR ON EITHER SIDE

CAUTION: Electrical luminaires are designed for permanent installation in ordinary (Non-Hazardous) locations in accordance with the National Electrical Code and all applicable local codes. Do not use in areas of limited ventilation or in high ambient enclosures. The lamp and luminaire operate at high temperatures, contact with combustible materials can cause fire and personal contact can cause severe burns.

ATTENTION: Ce luminaire a été conçu pour une installation permanente dans un emplacement régulier (non dangereux) et en conformité avec le Code électrique canadien et codes locaux applicables. Ne jamais installer dans un endroit où la ventilation est limitée ou dans des boîtiers où la température ambiante est très élevée. La lampe et le luminaire fonctionnent à des températures élevées, un contact avec des matériaux combustibles peut engendrer un incendie et un contact corporel peut causer de sévères brûlures.

Day-Brite
CFI

Signify North America Corporation
 200 Franklin Square Drive
 Somerset, NJ 08873, USA
 Phone: 855-486-2216
 www.day-brite.com

Signify Canada Ltd./Signify Canada Ltée.
 281 Hillmount Road
 Markham ON, Canada L6C 2S3
 Phone: 800-668-9008
 www.cfi-lighting.com

443580046830
 AUGUST 2018

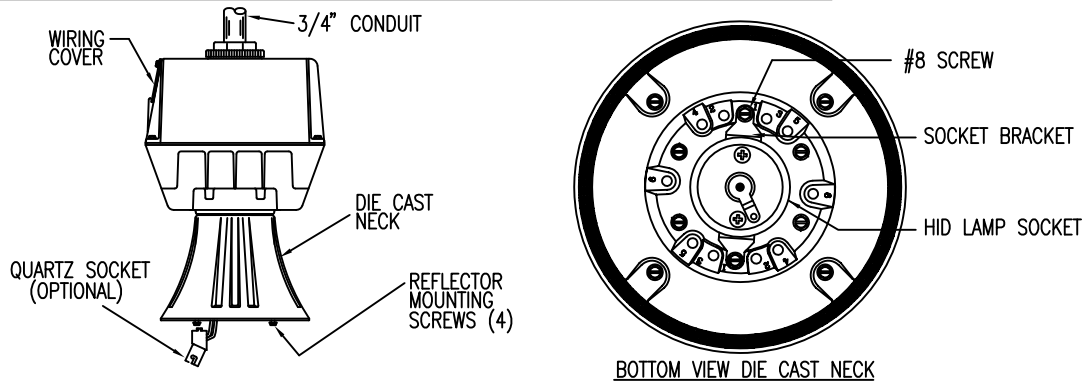
INSTALLATION INSTRUCTIONS

HIGH BAY

"HBO" AND "HBE" SERIES

CAUTION: THE INSTALLATION AND SERVICING OF THIS PRODUCT SHOULD BE PERFORMED BY A QUALIFIED ELECTRICIAN OR SERVICE PERSONNEL
 ATTENTION : L'INSTALLATION ET L'ENTRETIEN DE CE PRODUIT DOIVENT ÊTRE EFFECTUÉS PAR UN ÉLECTRICIEN OU UN MEMBRE DU PERSONNEL QUALIFIÉ.

MOUNTING BALLAST HOUSING TO CONDUIT-ENCLOSED UNITS



- 1) PRIOR TO HANGING UNIT, LOCATE HID LAMP SOCKET TO DESIRED LIGHT DISTRIBUTION LOCATION BY REMOVING THE (2) #8 SCREWS AT SOCKET BRACKET. POSITION 1 WILL PRODUCE A NARROW BEAM LIGHT DISTRIBUTION. AS THE SOCKET IS LOWERED, THE BEAM LIGHT DISTRIBUTION WILL GRADUALLY BECOME WIDER WITH POSITION 6 BEING THE WIDEST POSITION. FOR PRECISE SETTINGS OF LIGHT DISTRIBUTION SEE CATALOG SPECIFICATION SHEET FOR INDIVIDUAL REFLECTOR AND LAMP.
- 2) THE BALLAST HOUSING FOR ENCLOSED UNITS WILL MOUNT IDENTICAL TO OPEN UNITS. SEE INSTRUCTIONS ON FRONT PAGE.

HBE ENCLOSED UNITS ONLY

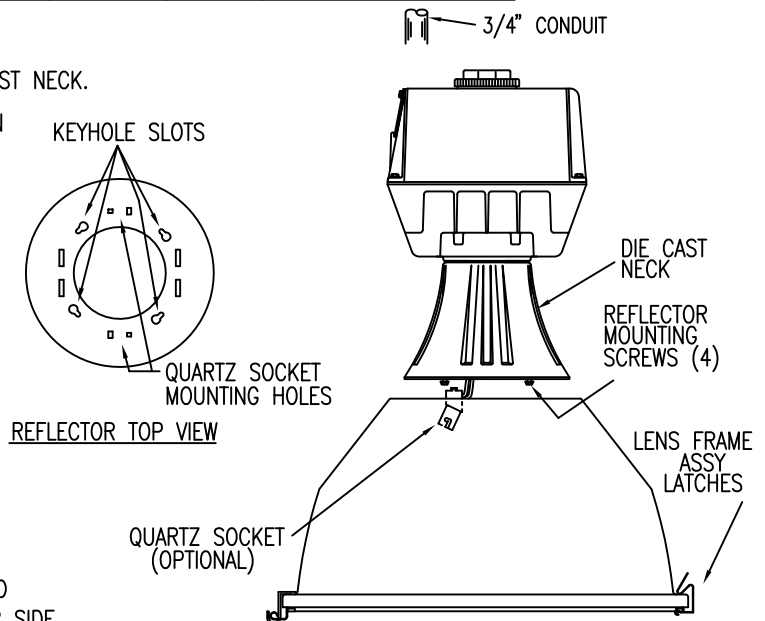
APPLY SILICONE SEALER TO CONDUIT CONNECTION TO PREVENT WATER ENTRY.

ENCLOSED REFL. MTG. – A16E, A17E, WS17E, A24E, A24SE & WS24E

- 1) LOOSEN, DO NOT REMOVE, THE (4) REFLECTOR

MOUNTING SCREWS AT THE BOTTOM OF DIE CAST NECK.

- 2) OPEN THE LENS FRAME ASSEMBLY LATCHES ON REFLECTOR AND HINGE OPEN.
- 3) ATTACH REFLECTOR TO DIE CAST NECK AT KEY-HOLE SLOTS AND TIGHTEN SCREWS.
- 4) CLOSE LENS AND FASTEN LATCHES.



OPTIONAL QUARTZ MOUNTING

THE QUARTZ SOCKET IS EQUIPPED WITH A SPRING STEEL BRACKET. AFTER REFLECTOR HAS BEEN INSTALLED, ROUTE SOCKET THRU CENTER HOLE OF REFLECTOR AND SNAP QUARTZ SOCKET BRACKET INTO THE SMALL SQUARE HOLES IN REFLECTOR ON EITHER SIDE

CAUTION: Electrical luminaires are designed for permanent installation in ordinary (Non-Hazardous) locations in accordance with the National Electrical Code and all applicable local codes. Do not use in areas of limited ventilation or in high ambient enclosures. The lamp and luminaire operate at high temperatures, contact with combustible materials can cause fire and personal contact can cause severe burns.

ATTENTION: Ce luminaire a été conçu pour une installation permanente dans un emplacement régulier (non dangereux) et en conformité avec le Code électrique canadien et codes locaux applicables. Ne jamais installer dans un endroit où la ventilation est limitée ou dans des boîtiers où la température ambiante est très élevée. La lampe et le luminaire fonctionnent à des températures élevées, un contact avec des matériaux combustibles peut engendrer un incendie et un contact corporel peut causer de sévères brûlures.

Day-Brite
CFI

Signify North America Corporation
 200 Franklin Square Drive
 Somerset, NJ 08873, USA
 Phone: 855-486-2216
 www.day-brite.com

Signify Canada Ltd./Signify Canada Ltée.
 281 Hillmount Road
 Markham ON, Canada L6C 2S3
 Phone: 800-668-9008
 www.cfi-lighting.com

443580046830
 AUGUST 2018