

Instruction Sheet Number **IS:FX16S**

Read and understand these instructions before installing luminaire.

This luminaire is intended for installation in accordance with the National Electrical Code and local regulations. To assure full compliance with local codes and regulations, check with your local electrical inspector before installation. To prevent electrical shock, turn off electricity at fuse box before proceeding.

Retain these instructions for maintenance reference.

INSTRUCTIONS FOR ATTACHING A TANGENT™ LUMINAIRE TO THE TANGENT TRACK SYSTEM AND ACCESSORIES.

CAUTION: HOT SURFACE. Keep away from curtains and any other combustables.

CAUTION: RISK OF BURN. Allow time for luminaire to cool before touching track head for relamping or positioning.

FOR USE ON CEILING OR WALL MOUNTED TRACK

1. Turn power off to TRACK.
2. Turn PIN on ADAPTER counter-clockwise until ADAPTER is fully open. (fig. 1)
3. Place open luminaire ADAPTER on the TRACK with the DIMPLES (fig. 3) and PIN facing same direction.
4. As LUMINAIRE is in place on the TRACK tighten pin by turning it clockwise. (fig. 2)
5. TO REMOVE turn PIN counter-clockwise until fully retracted then pull luminaire down.

NOTE: DO NOT install luminaire with transformer underneath connectors. (fig. 4)

INSTRUCTIONS FOR REMOVING ACCESSORY SNOOT ON FX16S.

1. Turn power off to TRACK
2. While supporting HOUSING, pull and drop SNOOT into open position.
3. To close SNOOT, support HOUSING and rotate SNOOT back into closed position until it snaps tight and is secure.

INSTRUCTION FOR LAMPING LOW VOLTAGE TANGENT™ LUMINAIRE.

1. Turn power to TRACK off.
2. Remove ACCESSORY SNOOT.
3. Slide LAMP SHIELD over LAMP.
3. Insert the two LAMP PINS into the SOCKET HOLES (Use 12V MR16 Base, 50W MAX. or 37W MAX IR.)
4. Re-assemble ACCESSORY SNOOT onto HOUSING.

DIMMING: USE DIMMER SPECIFIED FOR LOW VOLTAGE ELECTRONIC TRANSFORMER. MAY PRODUCE AUDIBLE SOUND WHEN DIMMED.

CAUTION: USE ONLY LAMP WATTAGE AND TYPE AS MARKED ON LUMINAIRE.

FIG. 1 OPEN POSITION

FIG. 2 CLOSED POSITION

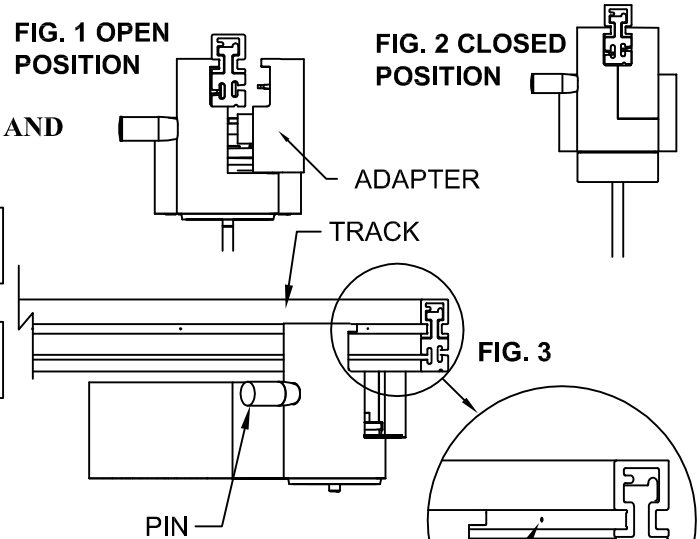
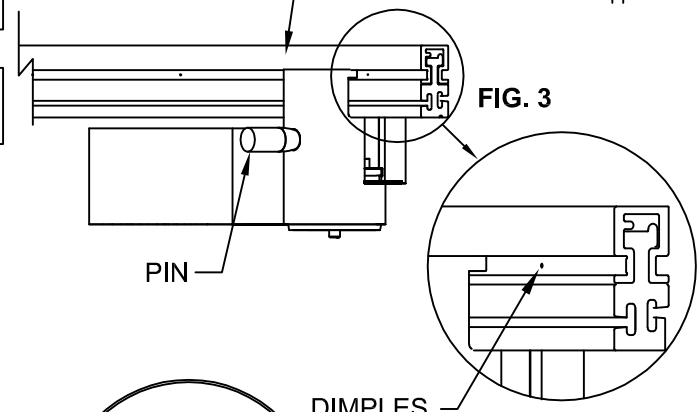


FIG. 3



DIMPLES

CONNECTOR

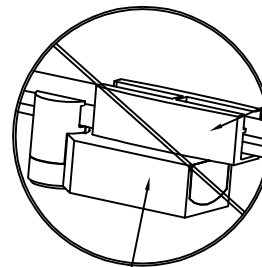


FIG. 4
DO NOT POSITION

TRANSFORMER

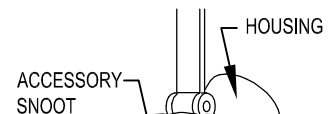


FIG. 5

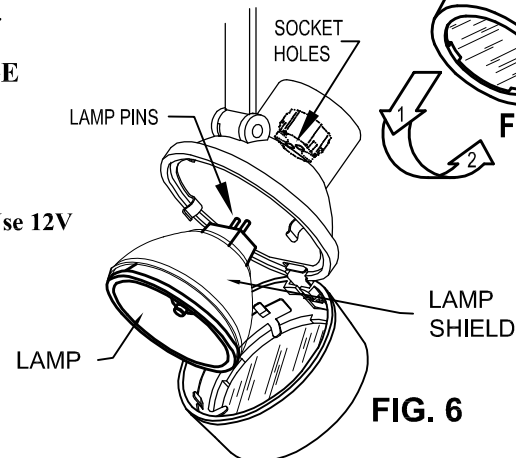


FIG. 6

Instruction Sheet Number **IS:FX16S**

Read and understand these instructions before installing luminaire.

This luminaire is intended for installation in accordance with the National Electrical Code and local regulations. To assure full compliance with local codes and regulations, check with your local electrical inspector before installation. To prevent electrical shock, turn off electricity at fuse box before proceeding.

Retain these instructions for maintenance reference.

CAUTION: RISK OF BURN. Allow time for luminaire to cool before touching track head for relamping or positioning.

INSTRUCTIONS FOR INSTALLING ACCESSORIES INTO ACCESSORY SNOOT ON FX16S

IMPORTANT: USE ONLY CLEAR LENS WHEN USING 50W MR-16. ALL OTHER ACCESSORIES CAN BE USED WITH A 37W IR MAX.

1. Turn off power to TRACK.
2. Remove ACCESSORY SNOOT.
3. Remove ACCESSORY SPRING by squeezing together and pulling out of SNOOT as shown.
Note: When using accessory LENS, remove clear glass LENS from SNOOT before installing accessory.
4. Insert accessories as shown. If using a LOUVER or 1 SNOOT or SNOOT, they must be installed first, then a LENS is inserted on top of them.

NOTE: SNOOT accepts 2 total accessories (1 LENS plus either 1 LOUVER or 1 SNOOT).

A LENS MUST BE INSTALLED AT ALL TIMES.

5. Reinstall ACCESSORY SPRING by squeezing together and pushing into SNOOT. Assure that all 4 SPRING TABS are flat against lens.
6. Reassemble ACCESSORY SNOOT onto HOUSING as shown on PAGE 1.

Accessories	
Accessory Holder:	Integral
Accessories:	Accepts two total (1 lens plus either 1 louver or 1 snoot)
Lens:	AF2 or ADF2 Series
Louver	AL2HC
Snoot:	22SR6

INSTRUCTIONS FOR POSITIONING LOW VOLTAGE TANGENT™ TRACK LUMINAIRES.

1. Turn off power to TRACK allowing time for luminaire to cool.
2. Rotate HOUSING horizontally and vertically as shown.

NOTE: Luminaires rotate infinite horizontally and 90° vertically. Forcing past vertical rotation stop could permanently damage luminaire.

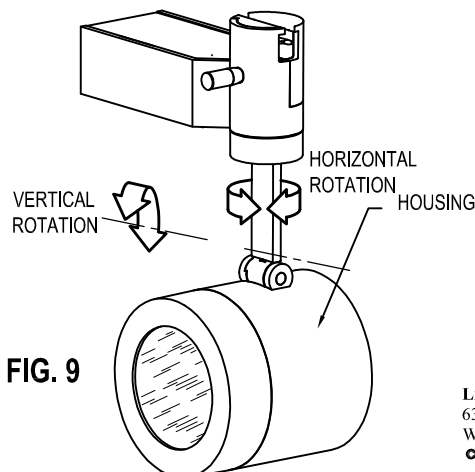


FIG. 9

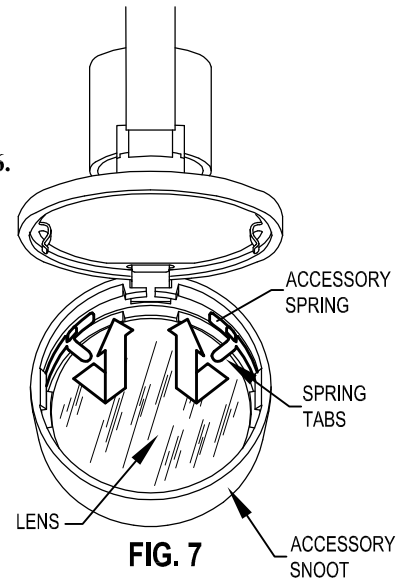


FIG. 7

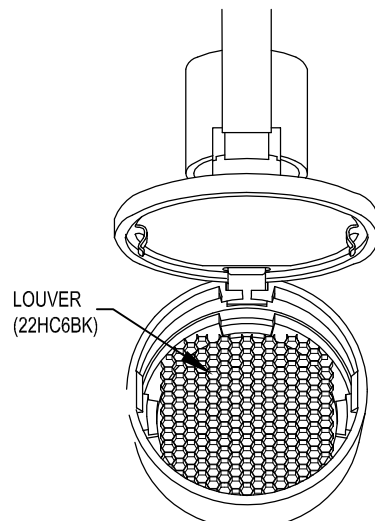


FIG. 8