

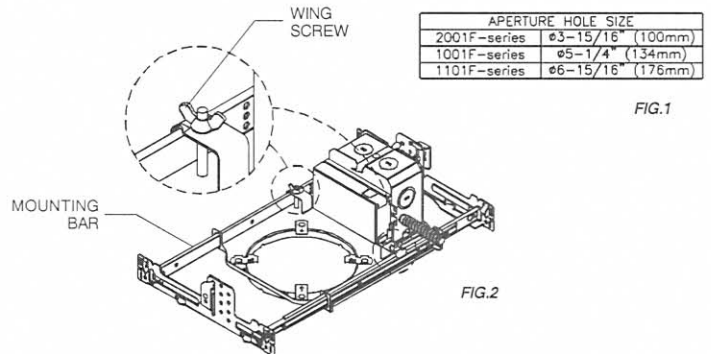
INSTALLATION INSTRUCTIONS FOR LYTECASTER MOUNTING FRAME FOR 1001F, 1101F, 2001F SERIES

Read and understand these instructions before installing the luminaire.

CAUTION: Branch circuit conductors must be rated 90°C minimum. To prevent electrical shock turn off electricity and check your local electrical code and regulations. Consult a qualified electrician before installing.

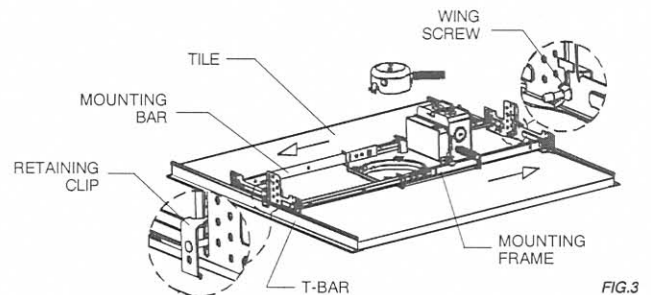
A. MOUNTING FRAME INSTALLATION IN GRID CEILINGS:

1. Cut out opening in ceiling tile according to mounting frame dimension. (Fig.1)
2. Loosen wing screws to release tension on mounting bars. (Fig.2)
3. Set mounting frame on ceiling tile. (Fig.3)
4. Extend mounting bars to reach T-Bar. (Fig.3)
5. Slide retaining clips on T-Bar and tighten wing screws. (Fig.3)
6. Tighten wing screws to reapply tension on mounting bars. (Fig.3)



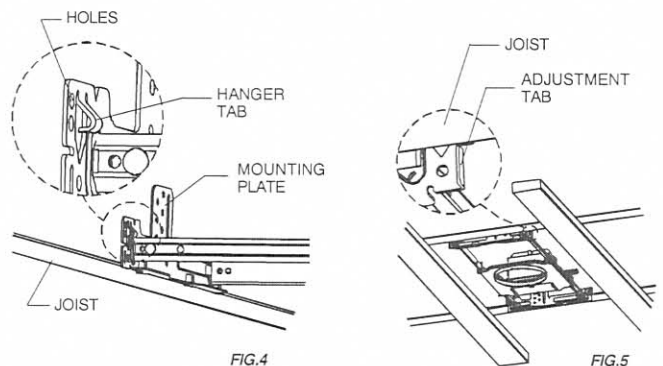
B. MOUNTING FRAME INSTALLATION IN THE NEW CEILINGS:

1. Remove retaining clips. (Fig.3)
2. Loosen wing screws to release tension on mounting bars. (Fig.2)
3. Put one of the mounting bars against the joist, and align it with the bottom of the joist. (Fig.4)
4. Hammer hanger tab in joist. (Fig.4)
5. Install other mounting bar following steps 3 & 4.
6. Secure with nails (not included) or screws (not included) through mounting plate holes. (Fig.4)



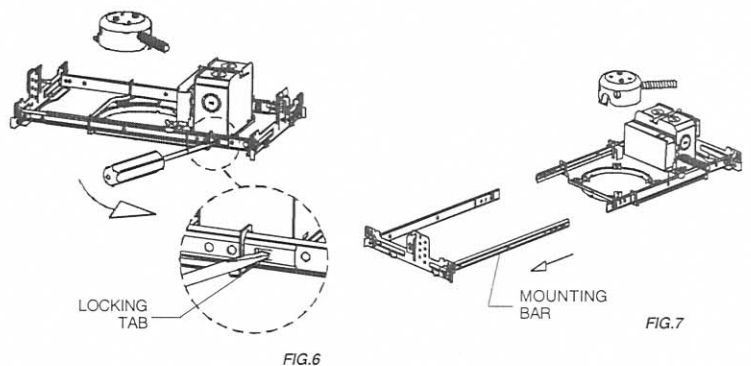
C. MOUNTING FRAME INSTALLATION IN CEILING WITH 5/8" STRAPPINGS:

1. Follow steps B1 & B2.
2. Bend adjustment tabs on mounting plates. (Fig.5)
3. Put one of the mounting plates against the joist and align adjustment tab to the bottom of the ceiling joist. (Fig.5)
4. With a hammer, insert the hanger tab into the joist. (Fig.4)
5. Install other mounting plate following steps 3 & 4.



D. MOUNTING FRAME INSTALLATION IN 10-1/2" TO 13" SPACES:

1. Using a flat blade screwdriver, bend locking tabs outward. (Fig.6)
2. Remove and discard one of the mounting bars. (Fig.7)
3. Bend tabs of the other mounting bar. (Fig.8)
4. Secure IN JOIST with a nail or a screw trough in one of the mounting bar holes. (Fig.8)



E. WIRE-IN:

1. Remove the appropriate "Pry-out plug". (Fig.9)
2. Insert the supply lead into the junction box.
 - a) If using FLEXIBLE CONDUIT: Use a BX connector (not provided). (Fig.10)
 - b) If using FLEXIBLE WIRE: Insert under the wire clamp.
3. Connect the ground lead.
4. Connect the white leads (NEUTRAL) together, and the black leads (120V, 277V or 347V) together.

