

Instruction Sheet Number **IS:FXESRN**

Page 1 of 1

For Assembly and Installation of FXESRN LUMINAIRE

Read and understand these instructions before installing luminaire.

This luminaire is intended for installation in accordance with the National Electrical Code and local regulations. To assure full compliance with local codes and regulations, check with your local electrical inspector before installation. To prevent electrical shock, turn off electricity at fuse box before proceeding.

Retain these instructions for maintenance reference.

INSTRUCTIONS FOR ATTACHING A TANGENT™ LUMINAIRE TO THE TANGENT TRACK SYSTEM AND ACCESSORIES.

CAUTION: HOT SURFACE. Keep away from curtains and any other combustables.

CAUTION: RISK OF BURN. Allow time for luminaire to cool before touching track head for relamping or positioning.

1. Turn power off to TRACK.
2. Turn PIN on ADAPTER counter-clockwise until ADAPTER is fully open. (fig. 1)
3. Place open luminaire ADAPTER on the TRACK with the DIMPLES (fig. 3) and PIN facing same direction.
4. As LUMINAIRE is in place on the TRACK tighten pin by turning it clockwise. (fig. 2)
5. TO REMOVE turn PIN counter-clockwise until fully retracted then pull luminaire down.

INSTRUCTION FOR PUTTING LENS IN FXESRN

1. Turn power to TRACK off.
2. Slide GLASS underneath RETAINING BRACKET until sits in place.
3. To remove slide LAMP out and push up on GLASS and slide out from underneath RETAINING RING.(Fig. 6)

Accessory Holder: Integral

Accessories: One accessory may be used. A soft focus (sf) lens is included with Luminaire. Luminaire can be operated without accessories. Other accessories can replace supplied lens.

Lens: AF2, ADF2 Series or Hex Louver AL2HC

INSTRUCTION FOR INSERTING LAMP IN FXESRN

1. Turn power to TRACK off.
2. Align large holes in lampholder with contacts on lamp, push in and twist to lock in place. Twist in opposite direction to take out of lampholder.

USE SHIELDED LAMP 120V MR16 GU10 BASE 50W MAX. (Fig. 5)

3. Slide LAMP RIM into RETAINING BRACKET until LAMP sits in place.
- NOTE: Orient LAMPHOLDER with wires facing STEM.

INSTRUCTIONS FOR POSITIONING LUMINAIRE

1. Turn off power to TRACK allowing time for luminaire to cool.
2. Rotate HOUSING horizontally and vertically as shown.

NOTE: Luminaires rotate 360° horizontally and 90° vertically. Forcing past stops could permanently damage luminaire.

FIG. 1 OPEN POSITION

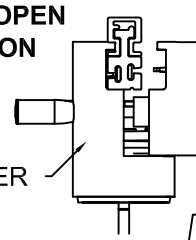
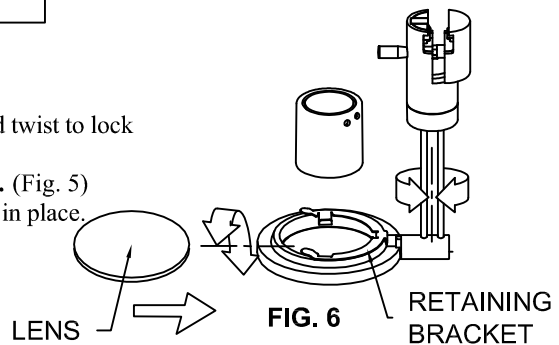
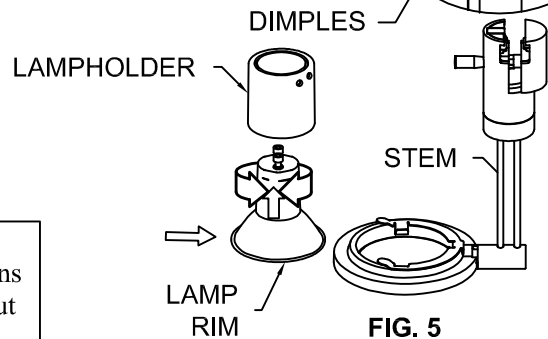
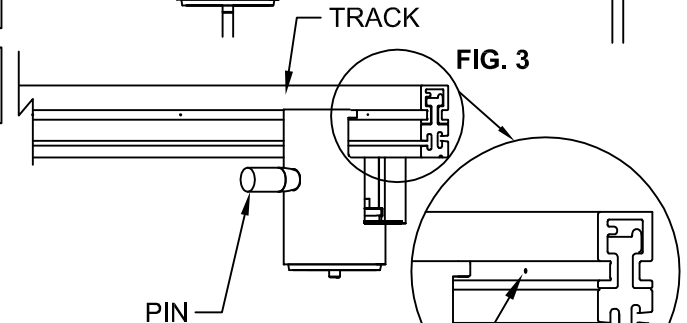
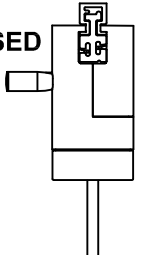


FIG. 2 CLOSED POSITION



CAUTION: USE ONLY LAMP WATTAGE AND TYPE AS MARKED ON LUMINAIRE. ENSURE LAMPHOLDER WIRES DO NOT TOUCH LAMP.