

Instruction Sheet Number **IS:FXESS**

For Assembly and Installation of FXESS LUMINAIRE

Read and understand these instructions before installing luminaire.

This luminaire is intended for installation in accordance with the National Electrical Code and local regulations. To assure full compliance with local codes and regulations, check with your local electrical inspector before installation. To prevent electrical shock, turn off electricity at fuse box before proceeding.

Retain these instructions for maintenance reference.

INSTRUCTIONS FOR ATTACHING A TANGENT™ LUMINAIRE TO THE TANGENT TRACK SYSTEM AND ACCESSORIES.

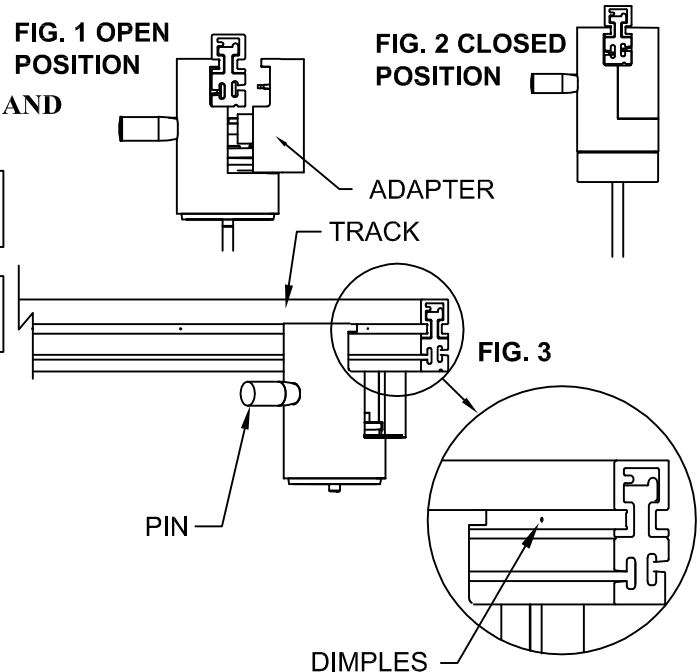
CAUTION: HOT SURFACE. Keep away from curtains and any other combustables.

CAUTION: RISK OF BURN. Allow time for luminaire to cool before touching track head for relamping or positioning.

1. Turn power off to TRACK.
2. Turn PIN on ADAPTER counter-clockwise until ADAPTER is fully open. (fig. 1)
3. Place open luminaire ADAPTER on the TRACK with the DIMPLES (fig. 3) and PIN facing same direction.
4. As LUMINAIRE is in place on the TRACK tighten pin by turning it clockwise. (fig. 2)
5. TO REMOVE turn PIN counter-clockwise until fully retracted then pull luminaire down.

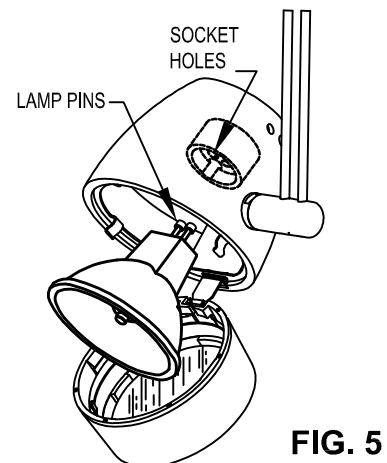
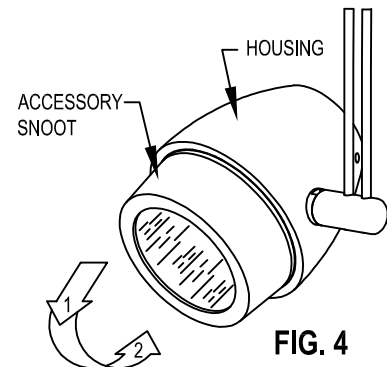
FIG. 1 OPEN POSITION

FIG. 2 CLOSED POSITION



INSTRUCTION FOR LAMPING LOW VOLTAGE TANGENT™ LUMINAIRE.

1. Turn power off to TRACK
2. While supporting HOUSING, pull and drop SNOOT into open position.
3. Insert the two LAMP PINS into the SOCKET HOLES and twist clockwise to lock in place. (Use 120V MR16 HALOGEN GU10 OR GZ10 BASE 50W MAX.)
4. To close SNOOT, support HOUSING and rotate SNOOT back into closed position until it snaps tight and is secure.



CAUTION: USE ONLY LAMP WATTAGE AND TYPE AS MARKED ON LUMINAIRE.

Instruction Sheet Number **IS:FXESS**

For Assembly and Installation of FXESS LUMINAIRE

Read and understand these instructions before installing luminaire.

This luminaire is intended for installation in accordance with the National Electrical Code and local regulations. To assure full compliance with local codes and regulations, check with your local electrical inspector before installation. To prevent electrical shock, turn off electricity at fuse box before proceeding.

Retain these instructions for maintenance reference.

CAUTION: RISK OF BURN. Allow time for luminaire to cool before touching track head for relamping or positioning.

INSTRUCTIONS FOR INSTALLING ACCESSORIES INTO ACCESSORY SNOOT ON FXESS

1. Turn off power to TRACK.
 2. Remove ACCESSORY SNOOT.
 3. Remove ACCESSORY SPRING by squeezing together and pulling out of ACCESSORY SNOOT as shown.
 4. Insert accessories as shown. If using SNOOT, it must be installed first, then a LENS is inserted on top.
- NOTE: a) Accepts 2 total accessories (1 LENS plus either 1 LOUVER or 1 SNOOT.)
 b) LOUVER can be used without LENS
5. Reinstall ACCESSORY SPRING by squeezing together and pushing into SNOOT. Assure that all 4 SPRING TABS are flat against lens.
 6. Reassemble ACCESSORY SNOOT onto HOUSING as shown on PAGE 1.

NOTE: CAN BE USED WITHOUT ACCESSORIES

Accessories	
Accessory Holder:	Integral
Accessories:	Accepts two total (1 lens plus either 1 louver or 1 snoot)
Lens:	AF2 or ADF2 Series
Louver:	AL2HC
Snoot:	22SR6

INSTRUCTIONS FOR POSITIONING LOW VOLTAGE TANGENT™ TRACK LUMINAIRES.

1. Turn off power to TRACK allowing time for luminaire to cool.
 2. Rotate HOUSING horizontally and vertically as shown.
- NOTE: Luminaires rotate 360° horizontally and 90° vertically. Forcing past rotation stop could permanently damage luminaire.

DIMMING: FIXTURE CAN BE DIMMED

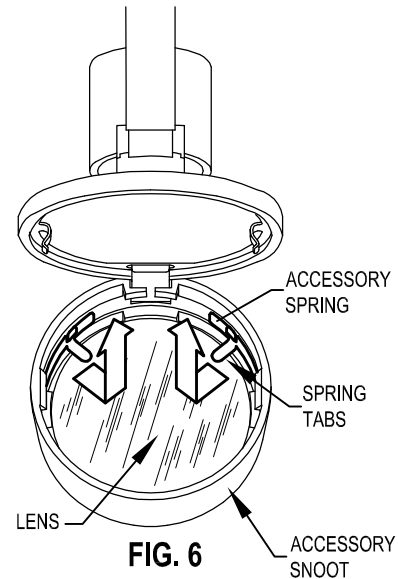


FIG. 6

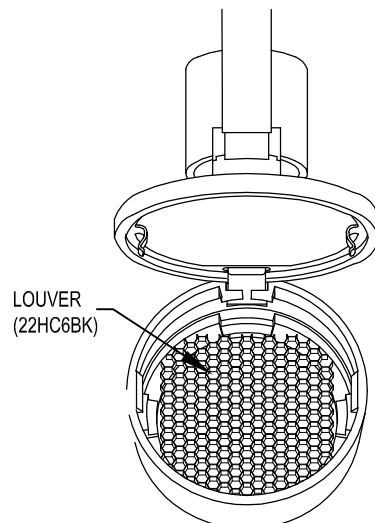


FIG. 7

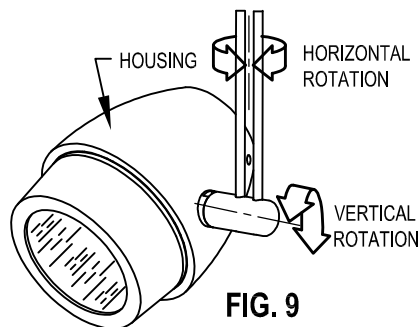


FIG. 9