

Project: _____

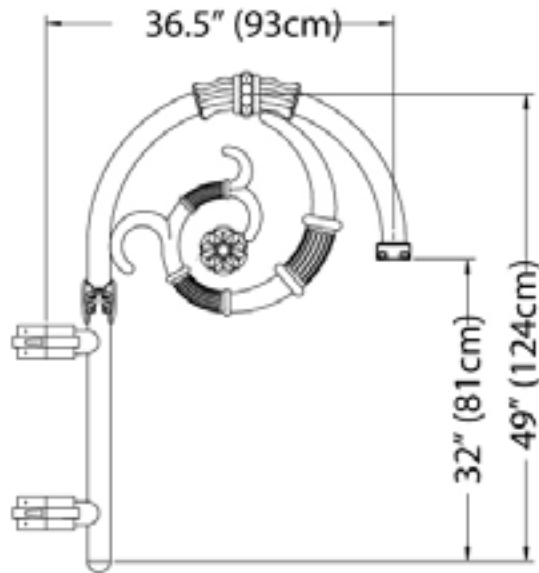
Location: _____

Cat.No: _____

Type: _____

Lamps: _____ Qty: _____

Notes: _____



Ordering Guide

Example: HFP1010 P4 A N PM

Product Code	HFP1010	Single
Post diameter	P4 P5 P6	4" Post Mount 5" Post Mount 6" Post Mount
Finish	A B G H J	Black White Verde Bronze Green
Arm Accessory	N	None
Post Machining	PM	Post Machining

Specifications

HOUSING:

6063-T6 Extruded aluminum .

FINISH:

Thermoset polyester powdercoat is electrostatically applied after a five-stage conversion cleaning process and bonded by heat fusion thermosetting. Laboratory tested for superior weatherability and fade resistance in accordance with ASTM B117 specifications. For larger projects where a custom color is required, contact the factory for more information.

WARRANTY:

Three-year limited warranty.

Height :

49" (124 cm)

Length:

36.5" (93 cm)

EPA:

2.50 sq. ft

