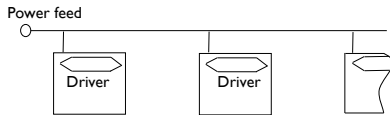


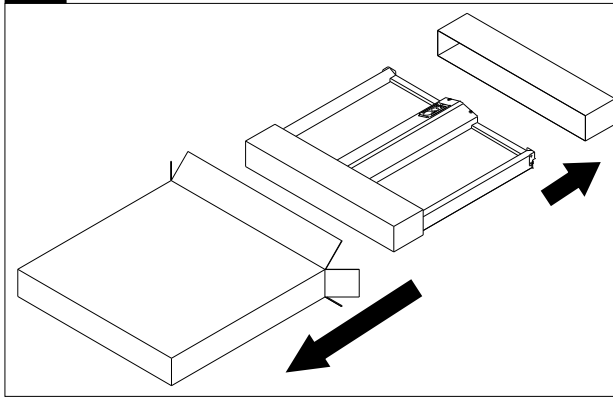
1 Prepare fixtures

Arrange boxed fixtures on the floor in specified mounting locations; remove fixtures from boxes.

Standalone Fixtures

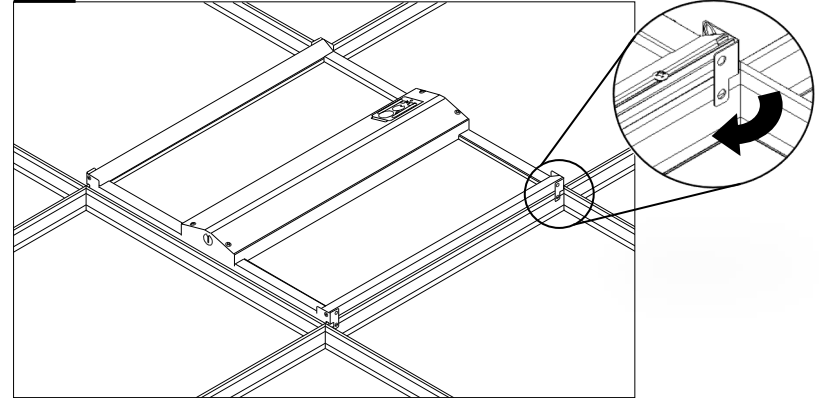


2 Remove from Packaging



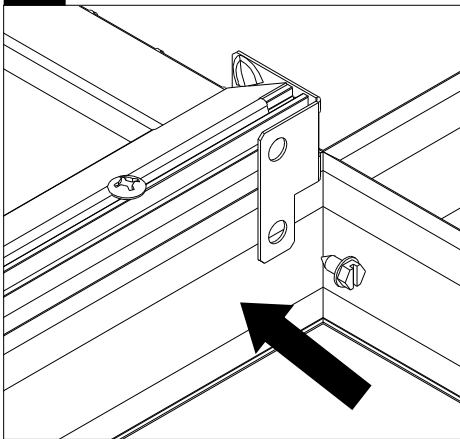
Remove luminaire from packaging, recycle box.

3 Install in ceiling grid



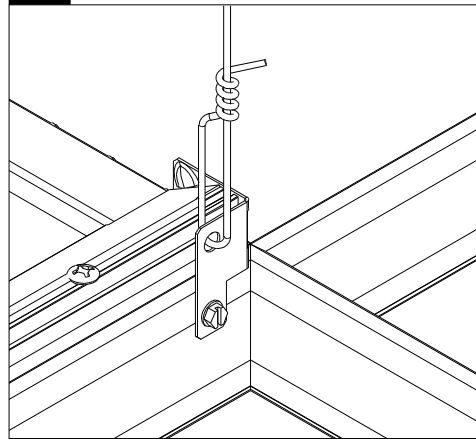
Lay luminaire into T-grid. Bend mounting tabs flush against outside of T-grid.

4 Secure luminaire



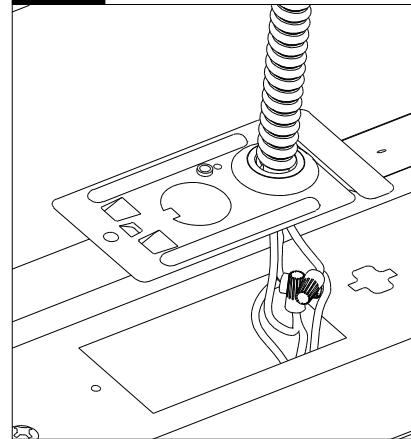
Secure luminaire to T-grid with self drilling 8x1/4" sheet metal screws (supplied by others).

5 Tie off to structure



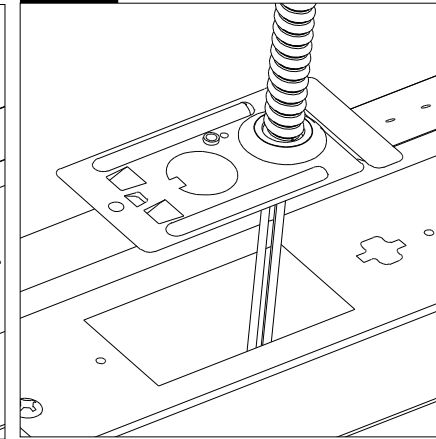
Secure luminaire with grid wire or suitable equivalent per local and national building codes.

6a Standalone wiring



Remove pre-installed wire access plate. Connect power feed to the leads provided. Reinstall wire access plate.

6b Flex Whip (Optional)



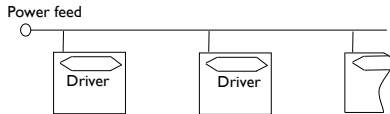
Optional Flex Whip is prewired to the fixture. Insert wire access plate into wiring cavity. Complete electrical connection at other end of whip in accordance with local and national building code.

! ATTENTION: Install in accordance with national and local building and electrical codes.

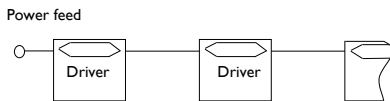
1 Prepare fixtures

Arrange boxed fixtures on the floor in specified mounting locations; remove fixtures from boxes.

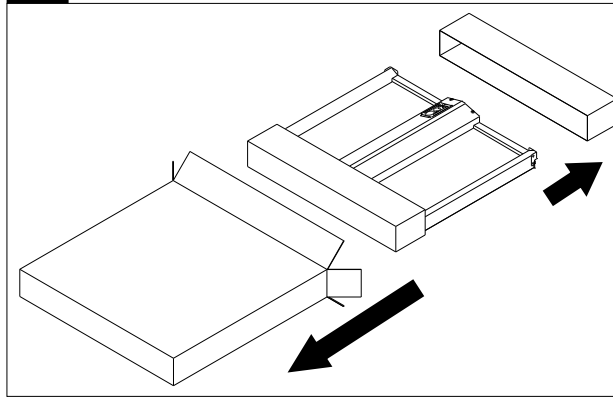
Standalone Fixtures



Continuous Row

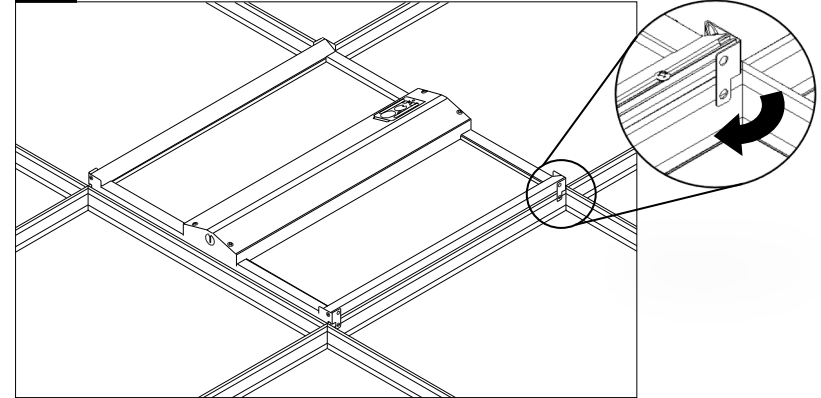


2 Remove from Packaging



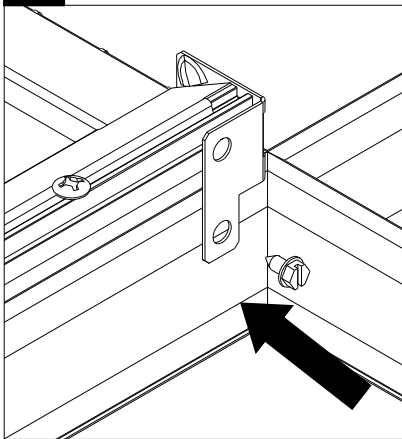
Remove luminaire from packaging

3 Install in ceiling grid



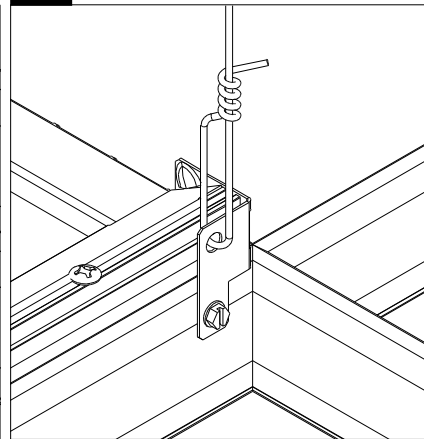
Lift and shift luminaire into ceiling grid. Bend hanger ears around the tee bar (see inset)

4 Secure luminaire



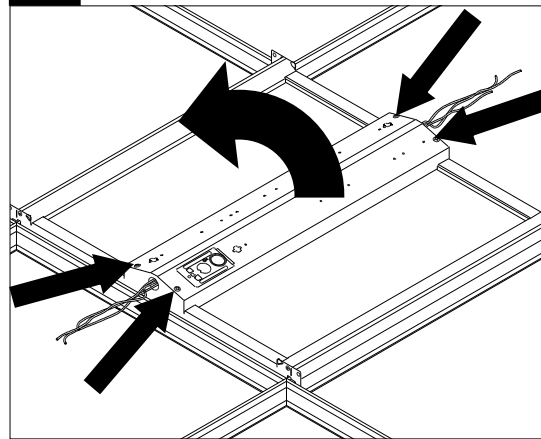
Secure luminaire to tee with self drilling screws (supplied by others).

5 Tie off to structure



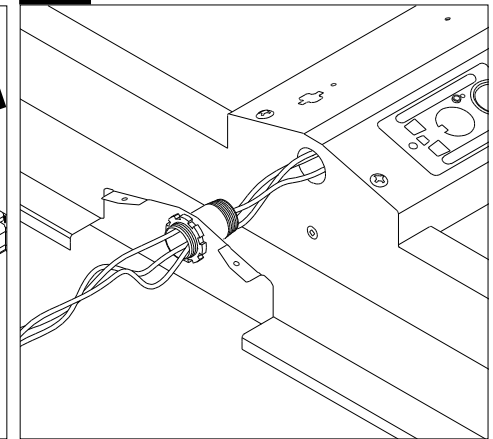
Secure luminaire with grid wire or suitable equivalent per local and national building codes.

6 Remove driver top cover



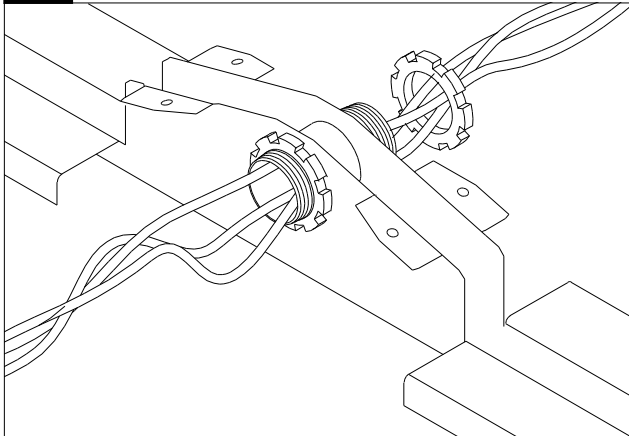
Four screws hold the top cover to housing. Remove the screws and the cover can be lifted off. Once removed the driver can be disconnected from the LEDs by one electrical quick connector.

7 Attach adjacent fixtures



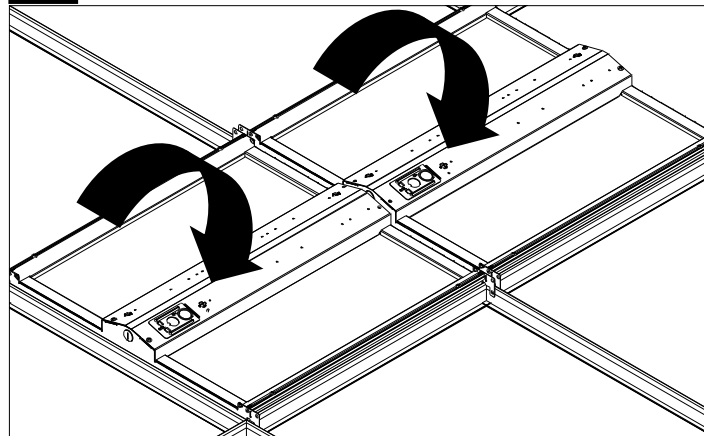
Remove connecting knock-outs and attach adjacent fixtures to the T-grid following steps 1-5. Place a 1/2" nipple through the knock-out hole between the fixtures. Fasten with a 1/2" NPT lock nut (nipple and lock nut supplied by others).

8 Wire adjacent luminaires



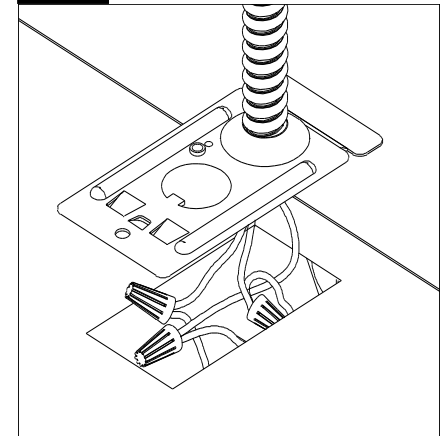
Feed the wires through the nipple and make all the electrical connections between the fixtures following the correct wiring color code.

9 Re-Install driver covers



Attach the low voltage driver wires using the quick connect terminals. Install the driver while ensuring that all wires are covered and free from binding. Retain the covers by re-using the screws that were removed.

10 Connect to line



Remove pre-installed wire access plate. Connect power feed to the leads provided. Reinstall wire access plate.

! ATTENTION: Install in accordance with national and local building and electrical codes.

Page 1