



A high performing LightFlood LED for use with Radius, Basic and Advent Track.

Project: _____
 Location: _____
 Cat.No: _____
 Type: _____
 Lamps: _____ Qty: _____
 Notes: _____

Ordering guide

Series	Lumens	CCT	Finish	Mounting ²
<input type="checkbox"/> LLF	<input type="checkbox"/>	<input type="checkbox"/>	<input type="checkbox"/>	
LLF LightFlood LED	4 4000lm	27 2700K 30 3000K 40 4000K	WH White BK Black AL Aluminum	For use with Radius, Basic and Advent track. For monopoint applications refer to specification sheet 6170 and 6190 (will require two monopoints).

1. Consult with factory
2. Not compatible with extension wands, multipoint, ProSpec track, clamp-on monopoint or sloped ceiling adapter.

Accessories

Series	Finish	Description
<input type="checkbox"/>	<input type="checkbox"/>	
LLF2LV Louver	BK Black	The Louver is designed to provide additional light shielding and reduce lamp glare when needed.
LLF2VS Visor	WH White BK Black AL Aluminum	The Visor is designed with interior reflector to direct light toward surface to create a washing effect.

Features

1. **Track attachment fitting:**
For mechanical/electrical connection.
2. **Brass contact:** Extends for connection to second circuit (Advent track only).
3. **Vertical pivot:** 0-90° vertical adjustment.
4. **LED board:** For efficient thermal management. MC PCB with vias.
5. **Optical assembly:** Reflector and diffuser.
6. **Light source:** 20 LEDs.
7. **Housing:** Die cast aluminum end plates and extruded aluminum heat sink perform as housing for light engine and driver.
8. **Cover lens:** Diffuser prevents dust and other contaminants from entering Reflector and LED surfaces.
9. **Accessory groove:** Integrated groove in housing allows accessories to be installed directly to housing. Accessories sold separately.

Accessories

Accepts one of the following:
 Louver - LLF2LV (BK only)
 Visor - LLF2VS (AL, BK, WH)
 Contact factory for competitor adaptor options.

Electrical

Input voltage: 120V
Input frequency: 50/60 Hz
Nominal input power: 46W
Efficacy: Approximately 95 lm/w
Power factor: > .90
Lumen maintenance:
 >70% of initial lumens @ 50,000 hrs
Photometric performance:
 Tested in accordance to LM79

Dimming

ELV and Triac dimming compatible
 Philips Sunrise SR400RPC120 2.35%
 Lutron Diva DVELV 1.97%
 Lutron Skylark SELV-300P 1.60%
 Lutron Skylark S-600P 0.02%

Finish

All painted finishes are powder coated.

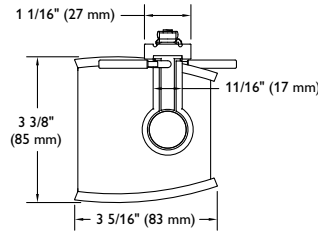
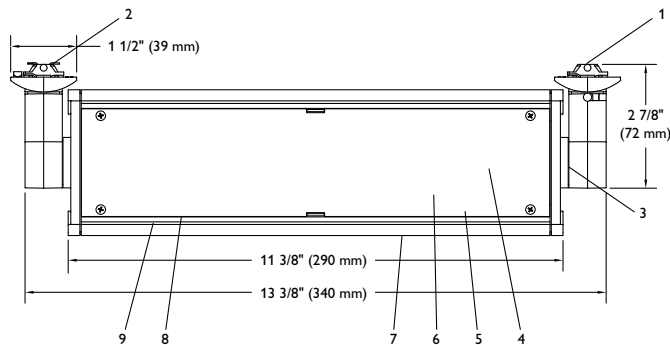
Labels

5 year warranty.

LLF4 LightFlood LED

4000lm Track head

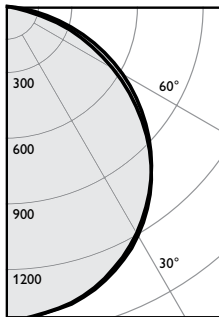
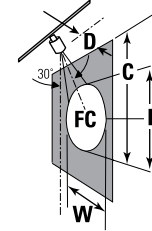
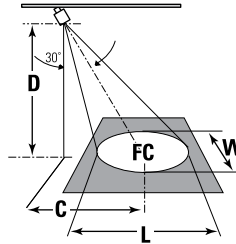
Dimensions



Aiming angles

L and W are the outer points where the candle power drops to 50% of the maximum. FC are the initial foot-candles at the center of the beam. Data shown is for 3000K, for 2700K multiply FC by 0.91.

- L Beam length
- D Distance
- W Beam Width
- A Aiming Angle
- FC Footcandles
- C Distance to center beam



Fixture: LLF430WH

CCT¹: 3000K
 Output lumens: 3931 lms
 Input watts²: 45 W
 Efficacy: 87.4 lm/w
 CRI: 80 min
 CBCP³: 1,434 cd
 Beam Angle: 111°
 Field Angle: 160°
 Report no³: 816GFR

Flood

30° Horizontal Aiming

Distance	Beam			
	D	C	F.C.	W
6	3.5	26	79.1	20.2
8	4.6	15	105.5	26.9
10	5.8	9	131.8	33.6
12	6.9	6	158.2	40.3

30° Horizontal Aiming

Distance	Beam			
	D	C	F.C.	W
2	3.5	45	?	11.6
3	5.2	20	?	17.5
4	6.9	11	?	23.3
5	8.7	7	?	29.1

1. Correlated Color Temperature within specs as defined in ANSI_NEMA_ANSI C78.377-2008: Specifications for the Chromaticity of Solid State Lighting Products.
2. Wattage controlled to within +/- 5%.
3. Tested using absolute photometry as specified in LM79: IESNA Approved Method for the Electrical and Photometric Measurements of Solid-State Lighting Products.

