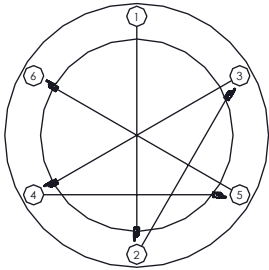


Safety, Warnings and Suggestions

- ¹ *Care* should be taken not to position fixtures in locations where bare skin can come into contact with the potentially high temperatures on the lens.
- ² *Avoid* installing fixtures in locations where water collects and stands for prolonged periods.
- ³ *Make* sure that electrical power is disconnected before any work is performed.
- ⁴ *All* gaskets and sealing surfaces must be kept clean during installation.
- ⁵ *As* a rule of thumb, the higher the fixture is mounted above grade potential problems such as foliage over growth or water, mud etc. collecting on the lens are reduced.
- ⁶ *All* wiring and installation should meet local, state and national electrical codes.
- ⁷ *This* will help prevent wire connector corrosion due to water penetration from the conduit.
- ⁸ *Install* correct lamp type and wattage.
- ⁹ *If* condensation, built up during installation, is visible on the lens it is recommended that the fixture be turned on before the lens ring is fully secured for approximately 30 minutes. This should allow the condensation to be exhausted.



Use several rotations of the following sequence to tighten the lens ring screws, to 25 in/lbs.

Mount Fixture as high above grade as possible to prevent debris and water standing on fixture surface.

Create an isolation barrier around the fixture to prevent rocks and foliage from interfering with light output.

Add drainage media below and around fixture to prevent standing water.

1. Prepare the site with adequate excavation to install fixtures. Drainage media below fixture will enhance installation ^{2,3}.

2. Remove lens ring and lens with gasket, ⁴ reflector assembly and "D" shaped splice box cover plate and gasket.

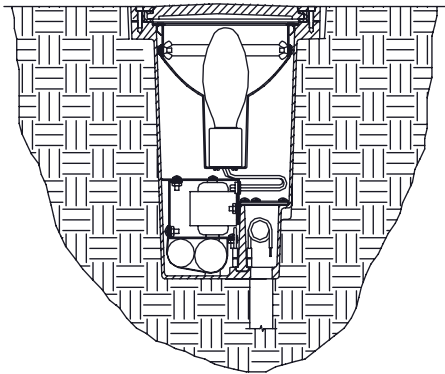
3. Connect conduit to the 3/4" NPT openings in the splice compartment at the bottom of the fixture, using the appropriate thread sealing compound. Tighten to 15 ft-lbs. max.

4. Position fixture so it is flush or just above the installation area grade ⁵ and orient the fixture with regard to architectural requirements to obtain the appropriate accent.

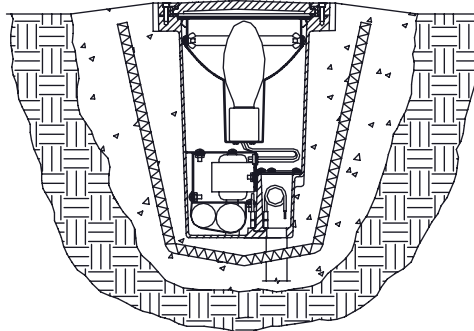
5. Make power and ground connections using UL approved connectors. It is recommended that RTV Silicone or other re-enterable water sealing compound be used to seal the conduit entry points ⁷.

6. Reinstall "D" shaped splice box cover plate and gasket ensuring that all four (4) screws are securely tightened. ⁴ Reinstall reflector assembly, install lamp ⁸ and make aiming adjustments.

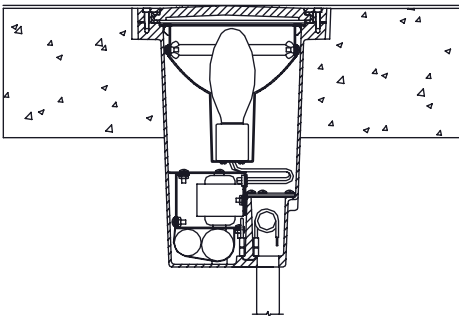
7. Install lens ring and lens with gasket ⁴ IMPORTANT! A CRISS CROSS PATTERN IS REQUIRED TO ENSURE THAT A GOOD COMPRESSION SEAL IS MADE. If this is not accomplished the fixture could leak and be damaged. Tighten screws gradually using multiple tightening steps to 25 in/lbs.



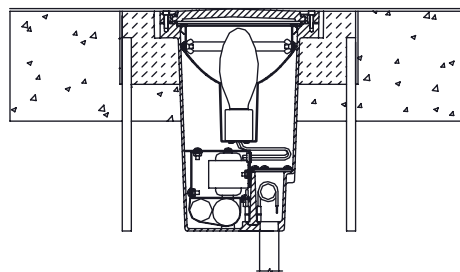
SL-33 In Soil



SL-33 In Soil With Concrete Base



SL-33 In Concrete



SL-33 In Concrete With Grout Mask

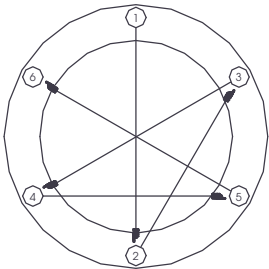
PHILIPS

100 Craftway Dr.
Littlestown, Pennsylvania 17340-0128
Phone: (717) 359-7131

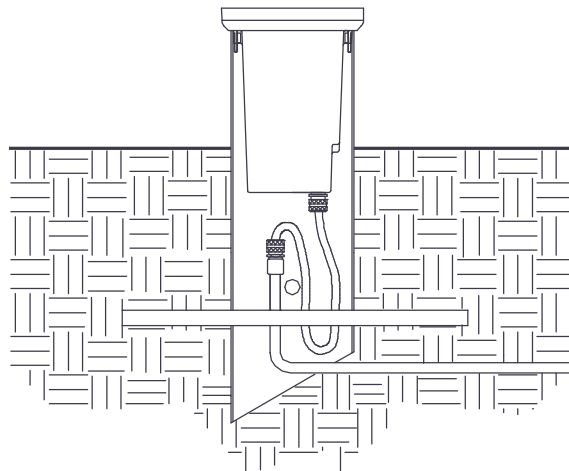
INSTALLATION INSTRUCTIONS: SL-34 8" PIPE

Safety, Warnings and Suggestions

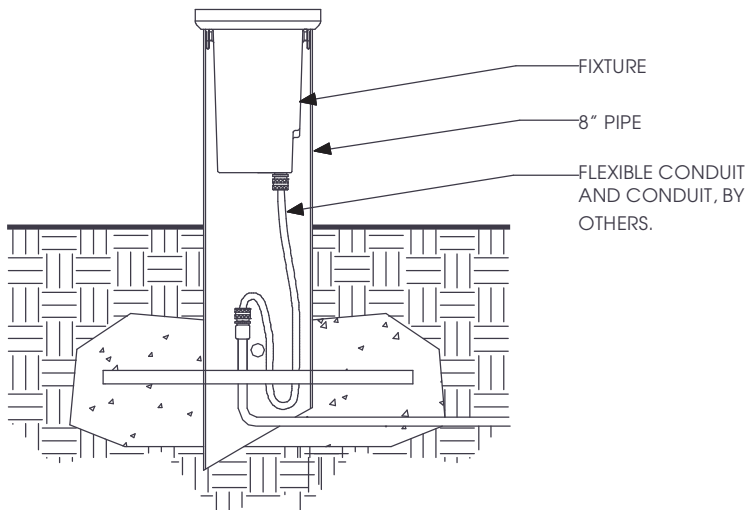
- ¹ *Care* should be taken not to position fixtures in locations where bare skin can come into contact with the potentially high temperatures on the lens.
- ² *Avoid* installing fixtures in locations where water collects and stands for prolonged periods.
- ³ *Make* sure that electrical power is disconnected before any work is performed.
- ⁴ *All* gaskets and sealing surfaces must be kept clean during installation.
- ⁵ *As* a rule of thumb, the higher the fixture is mounted above grade potential problems such as foliage over growth or water, mud etc. collecting on the lens are reduced.
- ⁶ *All* wiring and installation should meet local, state and national electrical codes.
- ⁷ *This* will help prevent wire connector corrosion due to water penetration from the conduit.
- ⁸ *Install* correct lamp type and wattage.
- ⁹ *If* condensation, built up during installation, is visible on the lens it is recommended that the fixture be turned on before the lens ring is fully secured for approximately 30 minutes. This should allow the condensation to be exhausted.



Use several rotations of the following sequence to tighten lens ring screws, to 25 in./lbs.



SL-34 8" PIPE IN SOIL



SL-34 8" PIPE IN SOIL with CONCRETE

1. Prepare the site with adequate excavation to install the fixture mounted in the 8" dia. pipe ^{1,2,4}. Drainage media below fixture will enhance installation ³.

2. Remove lens ring and lens with gasket, ⁵ reflector assembly and "D" shaped splice box cover plate and gasket.

3. Connect conduit to the 3/4" NPT openings in the splice compartment at the bottom of the fixture, using the appropriate thread sealing compound. Tighten to 15 ft.-lbs. max.

4. Position fixture and pipe with regard to architectural requirements and to obtain the appropriate accent. If a greater degree of stability is required use a 1" reinforced pipe in a cross pattern at the bottom of the 8" pipe as shown in the diagram below.

5. Make power and ground connections using UL approved connectors. It is recommended that RTV Silicone or other re-enterable water sealing compound be used to seal the conduit entry points ⁷.

6. Reinstall "D" shaped splice box cover plate and gasket ensuring that all four (4) screws are securely tightened. Reinstall reflector assembly, install lamp ⁸ and make aiming adjustments.

7. Install lens ring and lens with gasket ⁴
IMPORTANT! A CRISS CROSS PATTERN IS REQUIRED TO ENSURE THAT A GOOD COMPRESSION SEAL IS MADE. If this is not accomplished the fixture could leak and be damaged. Tighten screws gradually using multiple tightening steps to 25 in./lbs.

