

Instruction Sheet Number **IS:FX16B**

Read and understand these instructions before installing luminaire.

This luminaire is intended for installation in accordance with the National Electrical Code and local regulations. To assure full compliance with local codes and regulations, check with your local electrical inspector before installation. To prevent electrical shock, turn off electricity at fuse box before proceeding.

Retain these instructions for maintenance reference.

INSTRUCTIONS FOR ATTACHING A TANGENT™ LUMINAIRE TO THE TANGENT TRACK SYSTEM AND ACCESSORIES.

FOR USE ON CEILING OR WALL MOUNTED TRACK.

CAUTION: HOT SURFACE. Keep away from curtains and any other combustables.

CAUTION: RISK OF BURN. Allow time for luminaire to cool before touching track head for relamping or positioning.

1. Turn power off to TRACK.
2. Turn PIN on ADAPTER counter-clockwise until ADAPTER is fully open. (fig. 1)
3. Place open luminaire ADAPTER on the TRACK with the DIMPLES (fig. 3) and PIN facing same direction.
4. As LUMINAIRE is in place on the TRACK tighten pin by turning it clockwise. (fig. 2)
5. TO REMOVE turn PIN counter-clockwise until fully retracted then pull luminaire down.

NOTE: DO NOT install luminaire with transformer underneath connectors. (fig. 4)

INSTRUCTIONS FOR LAMPING AND PLACING LENS IN FX16B LOW VOLTAGE TANGENT™ LUMINAIRE

1. Turn power off to TRACK
2. Carefully separate ARMS enough to place LAMP between them and hold. (Arms have spring tendencies.) (Fig. 5)
3. As lamp passes ARMS, align LAMP PINS with SOCKET HOLES and insert. No polarity of LAMP PINS required.
4. Release ARMS to secure lamp in position.
5. Lamp with **12V MR16 50W MAX. or IR 37W MAX.**
6. Install lens in front of lamp by sliding in from side. (Fig. 6)

NOTE: A LENS MUST BE INSTALLED AT ALL TIMES IN LUMINAIRE.

INSTRUCTIONS FOR POSITIONING LOW VOLTAGE TANGENT™ TRACK LUMINAIRES.

1. Turn off power to TRACK allowing time for luminaire to cool.
2. Rotate HOUSING horizontally and vertically as shown.
NOTE: Luminaire rotate infinite horizontally and 90° vertically. Forcing past vertical rotation stop could permanently damage luminaire.

DIMMING: Use only dimmers specifically designed for use with electronic transformers. Low Voltage fixtures may produce audible sound when dimmed.

CAUTION: USE ONLY LAMP WATTAGE AND TYPE AS MARKED ON LUMINAIRE.

FIG. 1 OPEN POSITION

FIG. 2 CLOSED POSITION

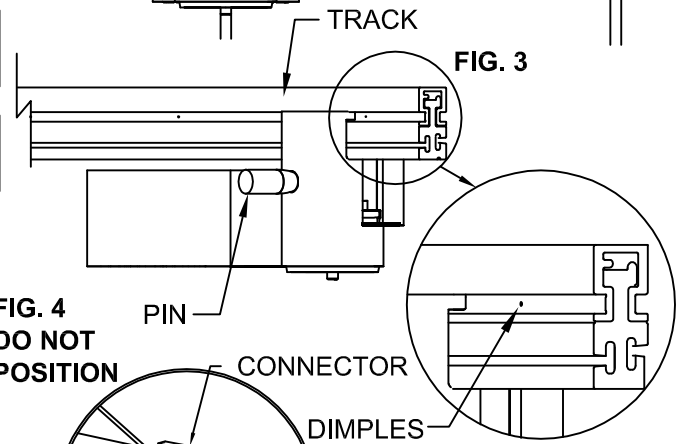
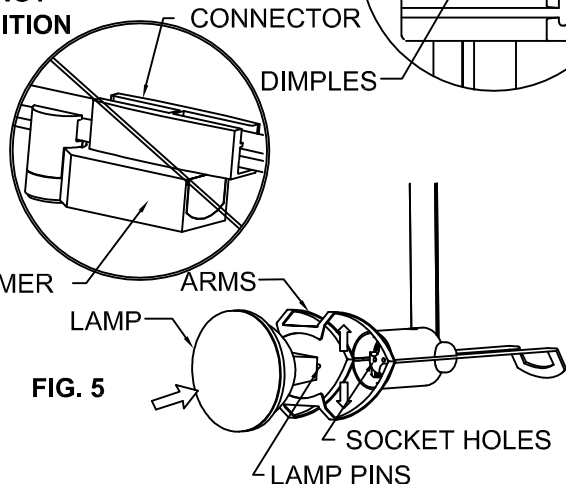


FIG. 4 DO NOT POSITION



| Accessories | |
|-------------------|--|
| Accessory Holder: | Integral |
| Accessories: | Accepts one accessory lens; replaces clear glass shield provided with fixture. |
| Lens: | AF2 or ADF2 Series |

