



The Keene **Dusk to Dawn** LED generation 3 luminaire offers an economical solution with enhanced generation chip on board LED performance for general purpose area and security lighting. The luminaire can be direct mounted to vertical surfaces or mounted onto 1-1/2" O.D. arms. Arm is also available as an accessory ordered separately. A 120V NEMA twist lock photo cell is included as standard. This versatile luminaire easily retrofits onto existing arms and offers one of the most affordable and efficient energy saving solutions available.

Project: \_\_\_\_\_  
 Location: \_\_\_\_\_  
 Cat.No: \_\_\_\_\_  
 Type: \_\_\_\_\_  
 Lamps: \_\_\_\_\_ Qty: \_\_\_\_\_  
 Notes: \_\_\_\_\_

### Ordering guide

example: DTD-40-NW-G3-AR-5-TLRPC-1-GY3S

Luminaire	Wattage	LED Color – Generation	Mounting	Distribution	Voltage	Controls	Finish
<b>DTD</b>	<b>40</b>	<b>NW-G3</b>	<b>AR</b>	<b>5</b>	<b>1</b>	<b>TLRPC</b>	<b>GY3S</b>
<b>DTD</b> Dusk to Dawn LED	<b>40</b> 40W	<b>NW-G3</b> Neutral White, 4000K, 70 CRI, Generation 3	<b>AR</b> Arm mount	<b>5</b> Type 5	<b>1</b> 120V	<b>TLRPC</b> Twist-lock receptable w/ Photocell	<b>GY3S</b> Light Grey Smooth

### Accessories (order separately)

**DTDARMGY3S** Mounting arm with hardware

### Specifications

#### Housing

One piece die cast aluminum housing with integral arm mounting hub that can be direct mounted with lag bolts or fit onto 1 1/2" O.D. mounting arm.

#### Electrical

Driver efficiency (>90% standard). 120-277V. Open/short circuit protection. RoHS compliant. Surge protector standard, 10KA per ANSI/IEEE C62.41.2.

#### LED Board and Array

42 LEDs. Color temperature 4000K +/-275K. CRI of 70 min. Metal core substrate.

#### Optical Lens System

Refractive design featuring prisms to spread light in a symmetrical Type 5 distribution.

#### Mounting

Standard luminaire mounts to vertical surface using 1/4" lag bolts or easily fits onto 1/1/2" O.D. round pipe/tube. Direct mount hardware provided as standard. Mounting arm with hardware available separately as an accessory.

#### Listings

cULus listed to the UL 1598 standard, suitable for Wet Locations. Suitable for use in ambients from -30° to 40°C (-22° to 104°F). Product is DesignLights Consortium® qualified.

#### Finish

Each standard color luminaire receives a fade and abrasion resistant, electrostatically applied, thermally cured, triglycidal isocyanurate (TGIC) textured polyester powder coat finish. Standard finish color is smooth light gray (GY3S).

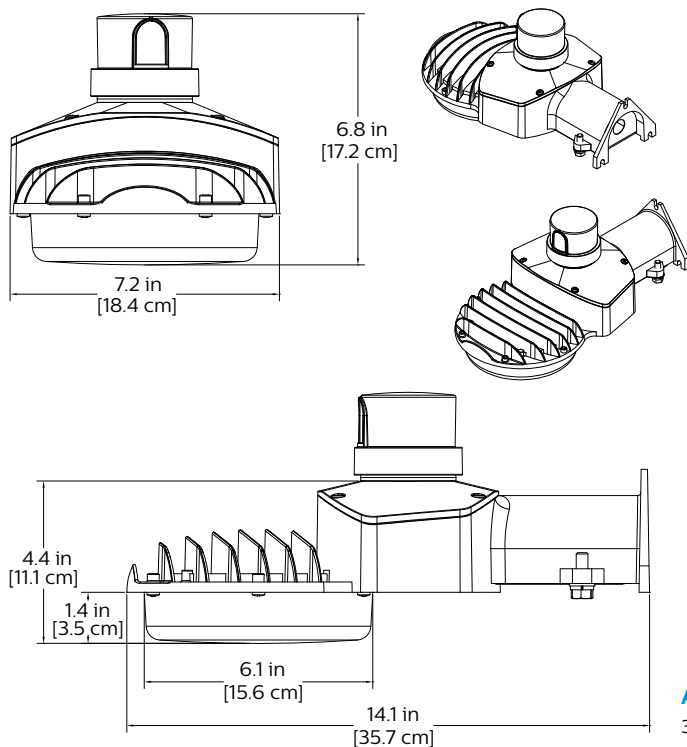
#### Warranty

DTD LED luminaires feature a 5 year limited warranty. See [signify.com/warranties](http://signify.com/warranties) for details.

# DTD Dusk to Dawn – General Purpose Arm Mount

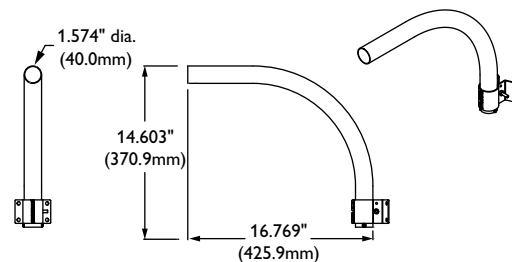
## Site & Area

### Dimensions



### Arm Accessory

(order separately **DTDARMGY3S**)



**Approximate luminaire weight** (less arm)

3.7 lbs (1.7kg)

### LED Wattage and Lumen Values

Values from photometric tests performed in accordance with IESNA LM-79 and are representative of the configurations shown. Actual performance may vary due to installation and environmental variables, LED and driver tolerances, and field measurement considerations. It is highly recommended to confirm performance with a photometric layout.

Ordering Code	Total LEDs	System Current (mA)	Color Temp. (K)	Average System Wattage	Lumen Output	BUG Rating	Efficacy (LPW)
DTD40-NW-G3-AR-5-TLRPC-1	42	1100	4000	40	4973	124	B2-U2-G1

### Predicted Lumen Depreciation Data

Predicted performance derived from LED manufacturer's data and engineering design estimates, based on IESNA LM-80 methodology. Actual experience may vary due to field application conditions.  $L_{70}$  is the predicted time when LED performance depreciates to 70% of initial lumen output. Calculated per IESNA TM21-11. Published  $L_{70}$  hours limited to 6 times actual LED test hours.

Ambient Temp °C	System Current	$L_{70}$ per TM21	Lumen Maintenance @ 50,000 hrs
25	157mA	>36,000 hrs	87%

