



Quality of production and attention to detail ensures its durability, even in the most challenging environments. Inspired by classical and contemporary elements, the **Callisto's** refined lines cast a timeless light on any project. The combination of two lighting technologies assures maximum light control while contributing to the spirit of a project's settings and preserving the dark skies. The Callisto is the perfect choice for those looking for sophistication, unique styling, and performance.

Project: _____
 Location: _____
 Cat.No: _____
 Type: _____
 Lamps: _____ Qty: _____
 Notes: _____

CAL

Ordering guide

example: CAL-100HPS-2V-120-12-PH-S-BE2TX

Product	Lamp	Reflector	Voltage	Options	Pole Height ³	Pole Options	Finish ¹
CAL	50MH	2V	120 120V	CU Copper accent	8	BA⁴ Banner arm	BE2TX Midnight Blue Textured
CAL1	70MH	4V	208 208V	ST Stainless steel accent	8.5	DR² Duplex receptable	BE6TX Ocean Blue Textured
CAL2	100MH		240 240V	LEDA Amber	9	GFI² Duplex receptable with ground fault interruptor	BE8TX Royal Blue Textured
	150MH		277 277V	LEDB Blue	9.5	PH Photocell	BG2TX Sandstone Gold Textured
	35HPS		347 347V	LEDG Green	10	S Steel	BKTX Black Textured
	50HPS			LEDR Red	10.5		BRTX Bronze Textured
	70HPS			LEDW White	11		GN4TX Blue Green Textured
	100HPS				11.5		GN6TX Forest Green Textured
	150HPS				12		GN8TX Dark Forest Green Textured
	18 CF	4V			12.5		GNTX Green Textured
	26 CF				13		GY3TX Medium Grey Textured
	32 CF				13.5		RD2TX Burgundy Textured
					14		RD4TX Scarlet Textured
					14.5		WHTX White Textured
					15		NP Natural Alum.
					15.5		TG Hammer-tone
					16		TS Hammer-tone Silver
					16.5		
					17		
					17.5		
					18		

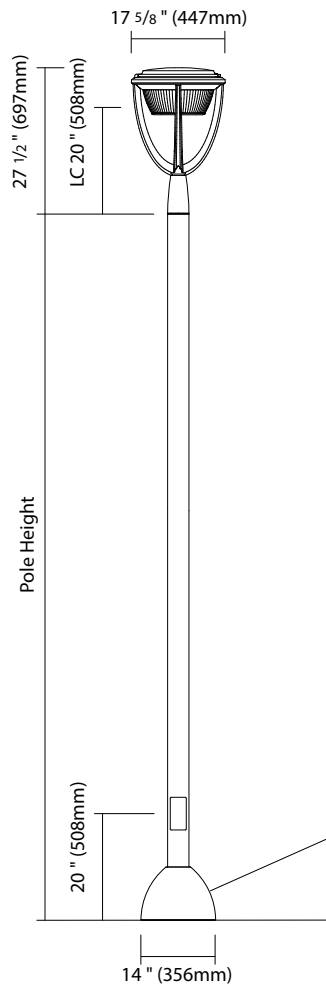
1. Consult Lumec's Color Chart for complete specifications.
2. 120 volt only.
3. Refer to luminaire configuration for maximum height.
4. Specify single or double.

CAL Callisto

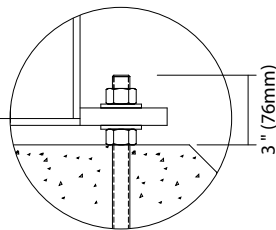
Post Top

Luminaires

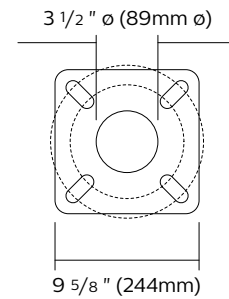
Conform to the UL 1598 and CSA C22.2 No. 250.0-08 standards.



Typical Bolt Projection



Anchor Plate



Bolt circle
6-3/4" to 10" Ø (171mm to 254mm)
B.C. allowed:
3/4" Ø - 6" (19mm Ø - to 508mm)

CAL Callisto

Post Top

Options



LEDR



LEDG



Stainless steel accent (ST)



LEDB



LEDA



Copper accent (CU)

Specifications

Pole Shaft

Made from 4" (102 mm) round extruded 6061-T6 aluminum tubing with a 0.226" (5.7 mm) wall thickness, welded to both bottom and top of the anchor plate.

Maintenance Opening

A 2" x 4-1/2" (51 mm x 114 mm) maintenance opening centered 20" (508 mm) from the bottom of the anchor plate, complete with a

weatherproof aluminum cover and a factory assembled copper ground lug.

Base Cover

Round shape, two-piece, cast 356 aluminum base cover, mechanically fastened with stainless steel screws.

Finish

"Hot dip" chemical etching preparation. Lumital™ polyester powder coat finish. Excellent color

retention as per #ASTM D2244, and outstanding salt-spray resistance according to #ASTM B117 testing procedures.

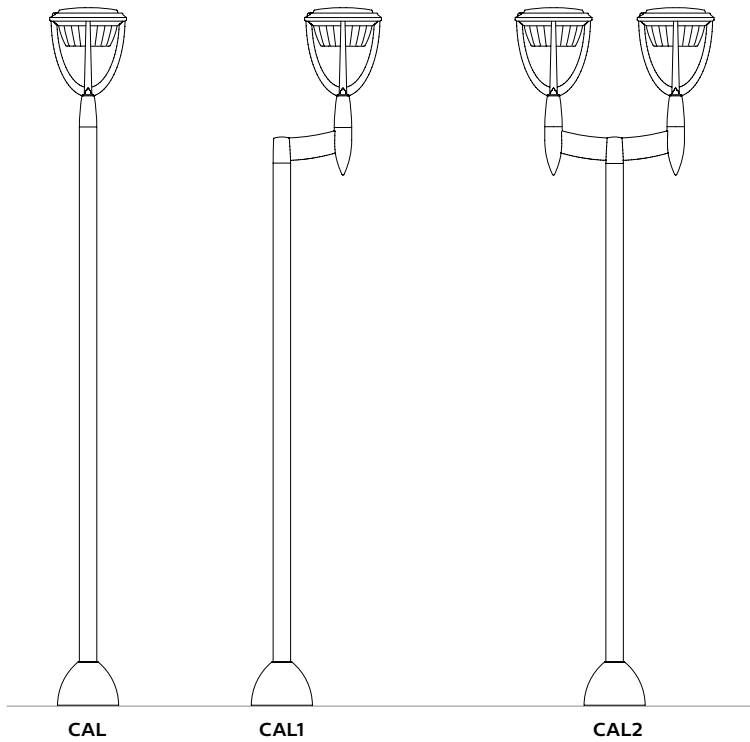
Hardware

All exposed hardware is stainless steel. All seals and sealing devices are made of and/or lined with EPDM and/or silicone.

CAL Callisto

Post Top

Assembly examples



CAL6 Callisto

Post Top

CAL6

Ordering guide

example: CAL6-100HPS-2V-120-CU-12-PHBE2TX

Product	Lamp	Reflector	Voltage	Options	Pole Height ³	Pole Options	Finish ¹
CAL6	50MH	2V	120 120V	CU Copper accent	8	BA⁴ Banner arm	BE2TX Midnight Blue Textured
CAL61	70MH	4V	208 208V	ST Stainless steel accent	8.5	DR² Duplex receptable	BE6TX Ocean Blue Textured
CAL62	100MH		240 240V	PH⁵ Photocell	9	GFI² Duplex receptable with ground fault interruptor	BE8TX Royal Blue Textured
CALM	150MH		277 277V	LEDA Amber	9.5	PH Photocell	BG2TX Sandstone Gold Textured
	35HPS		347 347V	LEDB Blue	10		BKTX Black Textured
	50HPS			LEDG Green	10.5	S Steel	BRTX Bronze Textured
	70HPS			LEDR Red	11		GN4TX Blue Green Textured
	100HPS			LEDW White	11.5		GN6TX Forest Green Textured
	150HPS				12		GN8TX Dark Forest Green Textured
	18 CF	4V			12.5		GNTX Green Textured
	26 CF				13		GY3TX Medium Grey Textured
	32 CF				13.5		RD2TX Burgundy Textured
					14		RD4TX Scarlet Textured
					14.5		WHTX White Textured
					15		NP Natural Alum.
					15.5	TG Hammer-tone	
				16	TS Hammer-tone Silver		
				16.5			
				17			
				17.5			
				18			

1. Consult Lumec's Color Chart for complete specifications.
2. 120 volt only.
3. Refer to luminaire configuration for maximum height.
4. Specify single or double.
5. Available only on the CALM model.

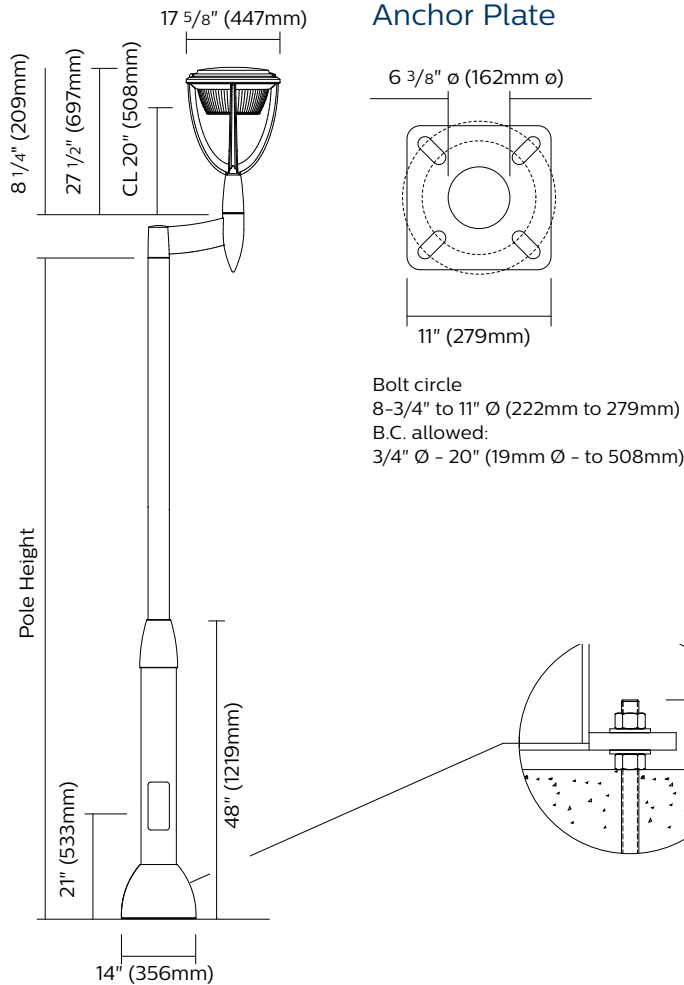
CAL6 Callisto

Post Top

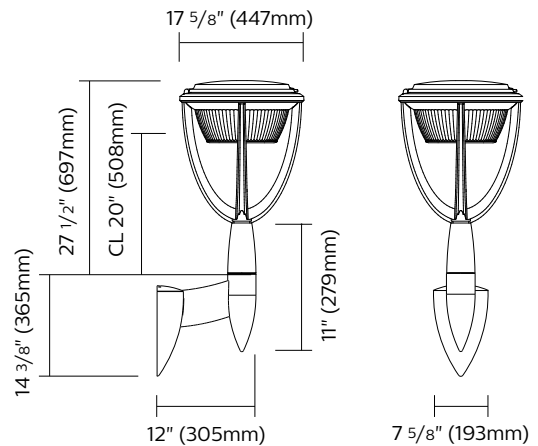
Luminaires

Conform to the UL 1598 and CSA C22.2 No. 250.0-08 standards.

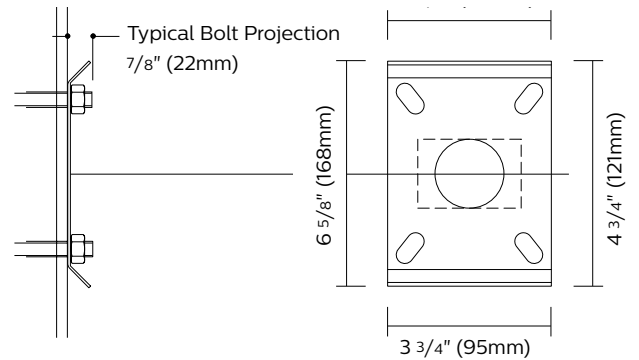
CAL61



CALM



CALM mounting details



- CALM luminaire is mounted by 4 anchor bolts $\frac{3}{8}$ " \varnothing (9 mm) to a 4" (102 mm) square or 2" x 3" (51 x 76 mm) junction box.
- Structural members must be present in wall to accept bolts.

Specifications

Arm

Made of die cast aluminum, mechanically assembled to the pole.

Central Tubing

Made of die cast 356 aluminum, 4" (102 mm) outside diameter c/w a tenon that slips 9" (229 mm) inside the pole. Mechanically fastened by two sets of three set-screws at 120 degrees around the pole.

Pole Shaft

Made from 4" (102 mm) round extruded 6061-T6 aluminum tubing with a 0.226" (5.7 mm) wall thickness, welded to the pole base.

Pole Base

Made from 6- $\frac{5}{8}$ " (168 mm) round extruded 6061-T6 aluminum tubing base with a 0.134" (3.4 mm) wall thickness, welded to both bottom and top of the anchor plate.

Maintenance Opening

A 4" x 9" (102 mm x 229 mm) maintenance opening centered 21" (533 mm) from the bottom of the anchor plate, complete with a weatherproof aluminum cover and a factory assembled copper ground lug.

Base Cover

Round shape, two-piece, cast 356 aluminum base cover, mechanically fastened with stainless steel screws.

Finish

"Hot dip" chemical etching preparation. Lumital™ polyester powder coat finish. Excellent color retention as per #ASTM D2244, and outstanding salt-spray resistance according to #ASTM B117 testing procedures.

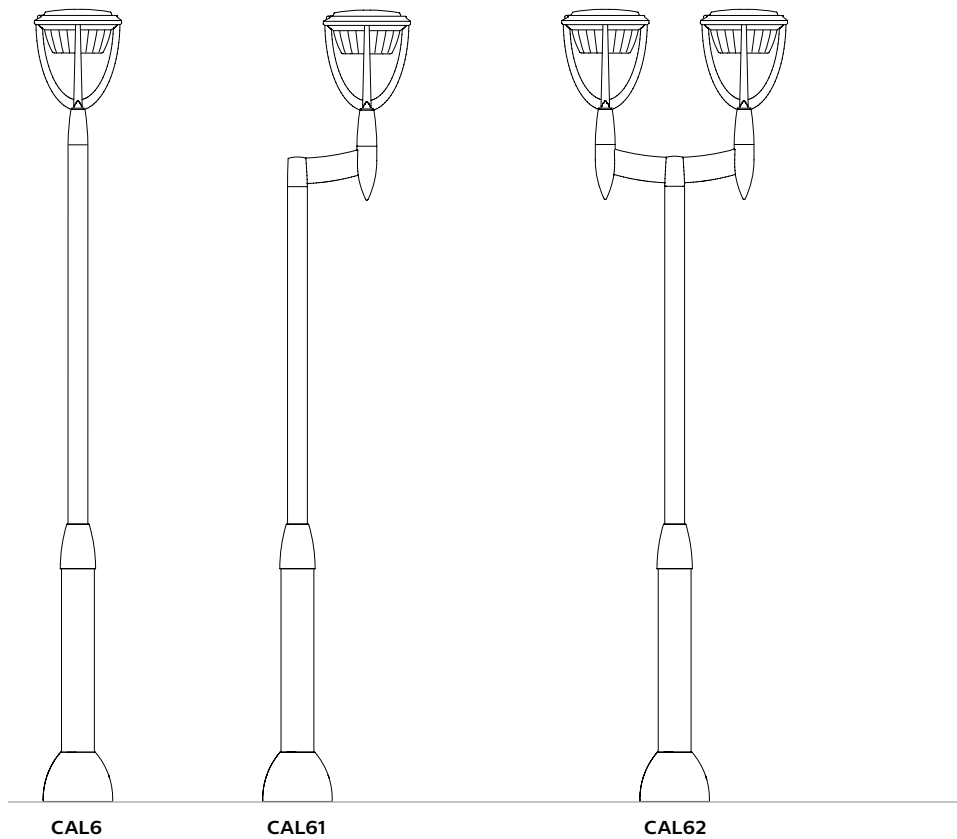
Hardware

All exposed hardware is stainless steel. All seals and sealing devices are made of and/or lined with EPDM and/or silicone.

CAL6 Callisto

Post Top

Assembly examples



CALB1 Callisto

Bollard

CALB1

Ordering guide

example: CALB1-50HPS-240-PH VPA-BE2TX

Product	Lamp	Voltage	Bollard Options	Finish ¹
CALB1				
	50MH	120 120V	PH Photocell	BE2TX Midnight Blue Textured
	70MH	208 208V	VPA Vandalproof hardware	BE6TX Ocean Blue Textured
	35HPS	240 240V		BE8TX Royal Blue Textured
	50HPS	277 277V		BG2TX Sandstone Gold Textured
	70HPS	347 347V		BKTX Black Textured
	18CF			BRTX Bronze Textured
	26CF			GN4TX Blue Green Textured
	32CF			GN6TX Forest Green Textured
	42CF			GN8TX Dark Forest Green Textured
	LEDB Blue	120 120V		GNTX Green Textured
	LEDR Red	208 208V		GY3TX Medium Grey Textured
	LEDW White	240 240V		RD2TX Burgundy Textured
				RD4TX Scarlet Textured
				WHTX White Textured
				NP Natural Alum.
				TG Hammer-tone
				TS Hammer-tone Silver

1. Consult Lumec's Color Chart for complete specifications.

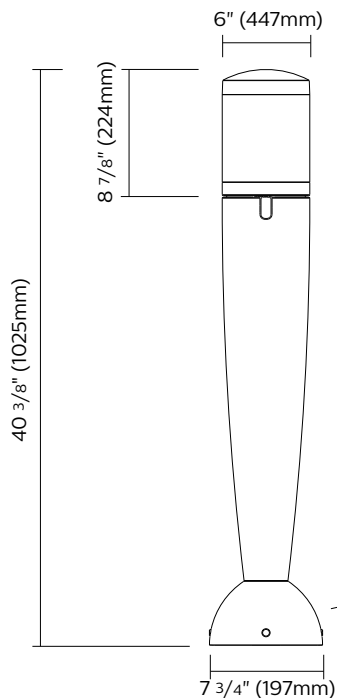
CU: Copper coated decorative grid.

CALB1 Callisto

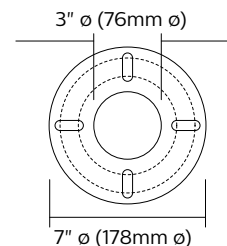
Bollard

Luminaires

Conform to the UL 1598 and CSA C22.2 No. 250.0-08 standards.

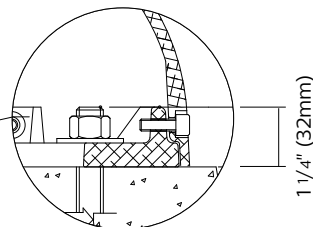


Anchor Plate



Bolt circle
4-3/8" to 6" Ø (111mm to 152mm)
B.C. allowed:
3/8" Ø - 12" (10mm Ø - to 305mm)

Typical Bolt Projection



Specifications

Hood Made of die cast 356 aluminum, assembled mechanically.	Ballast High power factor of 98%. Electronic compact fluorescent ballast, operating range: 50 Hz-60 Hz. Programmed rapid start. Lamp starting capacity of 0°F (-18°C), c/w auto reset shutdown circuit. Assembled on a tray with quick disconnect plug.	Finish "Hot dip" chemical etching preparation. Lumital™ polyester powder coat finish. Excellent color retention as per #ASTM D2244, and outstanding salt-spray resistance according to #ASTM B117 testing procedures.
Lens Made of glass.	6LEDA/6LEDB/6LEDG/6LEDR/6LEDW	Hardware All exposed hardware is stainless steel. All seals and sealing devices are made of and/or lined with EPDM and/or silicone.
Louvers Made of die cast 356 aluminum, assembled mechanically.	Lamp 6-watt light-emitting diodes (LEDs).	
Base Made of die cast 356 aluminum, mechanically assembled to the anchor plate.	Driver High power factor of 90%. Electronic driver, operating range 50 Hz-60 Hz. Lamp starting capacity of -40°F (-40°C). Assembled on a tray with quick disconnect plug.	

CALB2 Callisto

Bollard

CALB2

Ordering guide

example: CALB2-50HPS-240-PH VPA-BE2TX

Product	Lamp	Voltage	Bollard Options	Finish ¹
CALB2				
	50MH	120 120V	PH Photocell	BE2TX Midnight Blue Textured
	70MH	208 208V	VPA Vandalproof hardware	BE6TX Ocean Blue Textured
	35HPS	240 240V		BE8TX Royal Blue Textured
	50HPS	277 277V		BG2TX Sandstone Gold Textured
	70HPS	347 347V		BKTX Black Textured
	18CF			BRTX Bronze Textured
	26CF			GN4TX Blue Green Textured
	32CF			GN6TX Forest Green Textured
	42CF			GN8TX Dark Forest Green Textured
	LEDB Blue	120 120V		GNTX Green Textured
	LEDR Red	208 208V		GY3TX Medium Grey Textured
	LEDW White	240 240V		RD2TX Burgundy Textured
				RD4TX Scarlet Textured
				WHTX White Textured
				NP Natural Alum.
				TG Hammer-tone
				TS Hammer-tone Silver

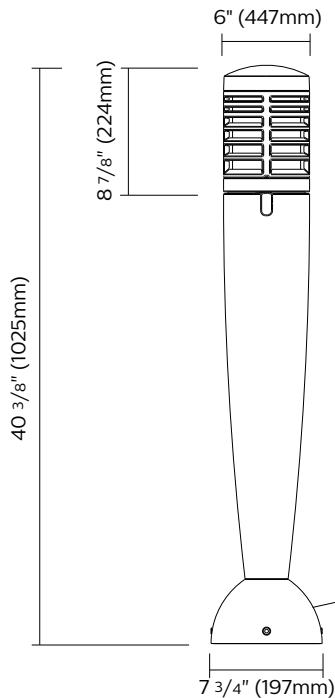
1. Consult Lumec's Color Chart for complete specifications.CU: Copper coated decorative grid.

CALB2 Callisto

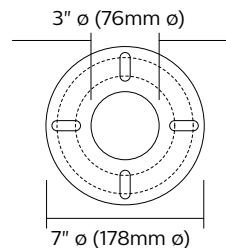
Bollard

Luminaires

Conform to the UL 1598 and CSA C22.2 No. 250.0-08 standards.

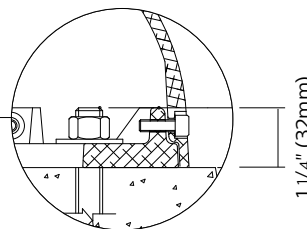


Anchor Plate



Bolt circle
4-3/8" to 6" Ø (111mm to 152mm)
B.C. allowed:
3/8" Ø - 12" (10mm Ø - to 305mm)

Typical Bolt Projection



Specifications

Hood

Made of die cast 356 aluminum, assembled mechanically.

Lens

Made of glass.

Louvers

Made of die cast 356 aluminum, assembled mechanically.

Base

Made of die cast 356 aluminum, mechanically assembled to the anchor plate.

Ballast

High power factor of 98%. Electronic compact fluorescent ballast, operating range: 50 Hz-60 Hz. Programmed rapid start. Lamp starting capacity of 0°F (-18°C), c/w auto reset shutdown circuit. Assembled on a tray with quick disconnect plug.

6LEDA/6LEDB/6LEDG/6LEDR/6LEDW

Lamp

6-watt light-emitting diodes (LEDs).

Driver

High power factor of 90%. Electronic driver, operating range 50 Hz-60 Hz. Lamp starting capacity of -40°F (-40°C). Assembled on a tray with quick disconnect plug.

Finish

"Hot dip" chemical etching preparation. Lumital™ polyester powder coat finish. Excellent color retention as per #ASTM D2244, and outstanding salt-spray resistance according to #ASTM B117 testing procedures.

Hardware

All exposed hardware is stainless steel. All seals and sealing devices are made of and/or lined with EPDM and/or silicone.

