

Project: _____

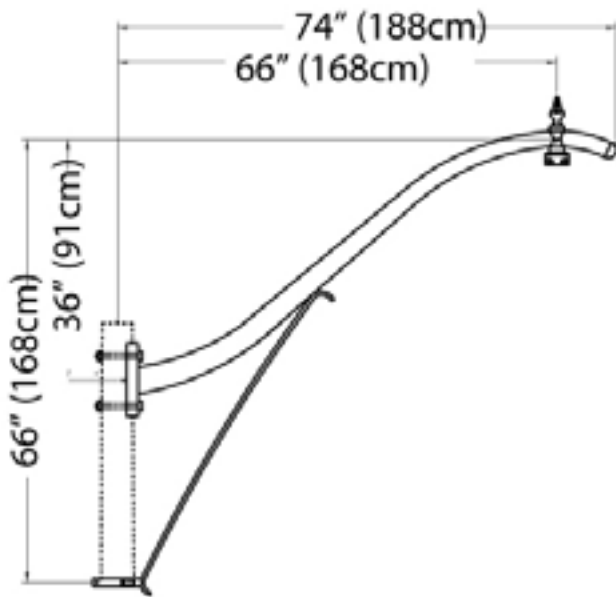
Location: _____

Cat.No: _____

Type: _____

Lamps: _____ Qty: _____

Notes: _____



Ordering Guide

Example: HFP1410 P4 B F PM

Product Code	HFP1410	Single
Post diameter	P4 P5 P6	4" Post Mount 5" Post Mount 6" Post Mount
Finish	B H G J A	White Bronze Verde Green Black
Arm Accessory	F R N	Finial Twistlock Receptacle None
Post Machining	PM	Post Machining

Specifications

HOUSING:

6063-T6 Extruded aluminum .

FINISH:

Thermoset polyester powdercoat is electrostatically applied after a five-stage conversion cleaning process and bonded by heat fusion thermosetting. Laboratory tested for superior weatherability and fade resistance in accordance with ASTM B117 specifications. Polymer has molded-in color and texture for color fastness and durability. For larger projects where a custom color is required, contact the factory for more information.

HFP1410 Arm bracket

Single

Specifications

CERTIFICATIONS:

Manufactured to ISO 9001:2008 Standards.

WARRANTY:

Three-year limited warranty.

Height :

66" (168cm)

Length:

66" (168cm)

Overall Length:

74" (188cm)

EPA:

2.50 sq. ft.

